



Wind protection and extra privacy

## **markilux format**

Modular screen system with a unique textile character – ideal for patios, gardens and integration into markilux awning systems.

01 Product Characteristics

02

03

04

05

06

07

08

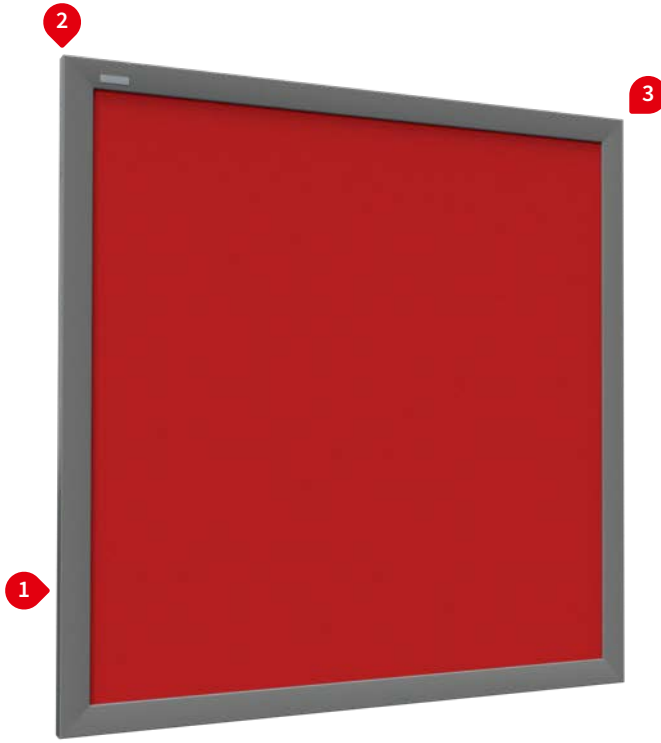
09

10

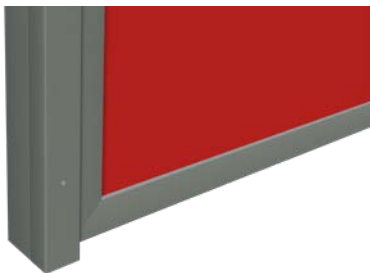
11

12

13



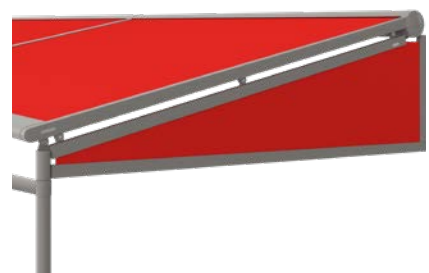
1 markilux format Fixed screen, with end posts



1 markilux format Clamp bracket



markilux format triangular screen



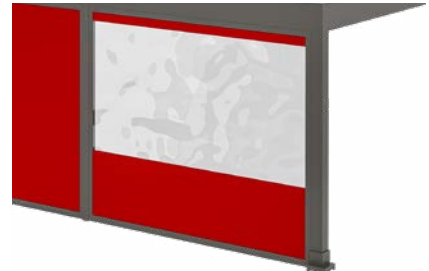
2 markilux format fixed screen, central post with cover profile



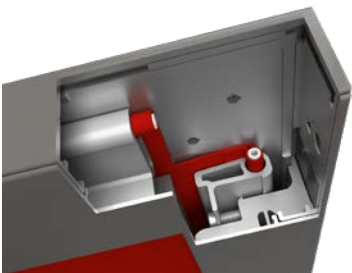
2 markilux format fixed screen, 90° corner post with corner cover profile



markilux format with flexible panorama window 1) fitted to the markilux markant



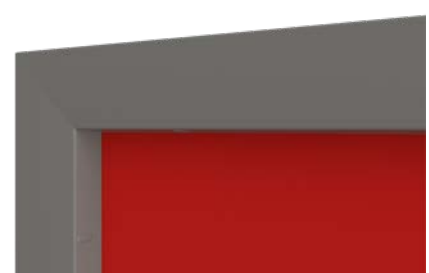
3 cross section markilux format basic frame



detail of the cover side / front



detail of the frame side / rear



1) Optional accessories

## Product Characteristics

### Description

- rectangular screen system with aluminium frame and textile cover as wind protection and for extra privacy, individually up to 7,5 m<sup>2</sup> size can be extended by adding extra modules. Also available as a triangular version for attaching to the side of a markilux pergola

### Special features

- excellent combination of modern, timeless design and maximum stability
- top-grade, weather-resistant and easily cared for aluminium frame without visible connection fittings
- the invisible, all-round fixing of the fabric in the frame ensures that the visible part of the panel is reduced to a minimum of material – frame and fabric
- individual design options in terms of size, frame colour and a selection of more than 200 fabric patterns – benefits the environment and conserves resources “made in Germany”
- optionally, the cover can have a markilux panoramic window which offers an unobstructed view and provides a welcoming atmosphere
- the long service life is underscored by the fact that it is possible to re-tension and exchange the fabric panel
- various fixture options ensure wide-ranging use: direct fixture of the basic frame using adjustable brackets or with posts for installation onto footings
- can be used widely for both private and commercial properties: patios, balconies, car ports, gardens, glass canopies, covered seating areas, façades etc. or in combination with the markilux pergola, markilux markant or markilux construct (the version with square posts in each case)

### Dimensions

- basic frame of the format: unit width 30–300 cm, unit height 30–250 cm, maximum size 300 × 250 cm
- format held in place by brackets: unit width 30–300 cm, unit height 30–250 cm, maximum size 300 × 250 cm
- format fitted onto footings: unit width 40–250 cm, unit height 40–200 cm, maximum size 250 × 150 cm / 200 × 200 cm – the units can be added to one another to form a row or corner feature
- format in triangular form: unit width 30–600 cm, unit height 30–150 cm – made to order

### Profile specifications

- extruded aluminium, in façade quality, powder coated
- two-piece frame profile, width 67 × depth 42 mm
- posts width 70 × depth 74 mm with cover profile, 75 mm,
- when used as outer posts including side panel 20 × 46 × 20 mm
- corner posts 74 × 74 mm with corner cover panel 97 × 97 mm

### Fixture

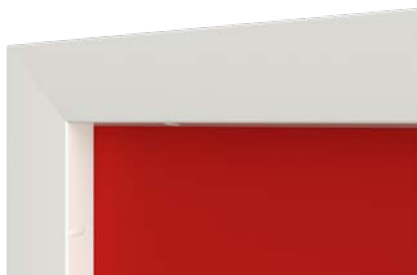
- using two opposite sides, vertically or horizontally; bespoke fixture on request
- basic frame: without brackets, direct fixture through the frame profile
- adjustable brackets including screw-on clamp profiles
- fixed with end / intermediate / corner posts to be embedded in concrete

**N.B!** For structural reasons, the markilux format can only be fixed to the side of the markilux pergola as a triangular version! In this case, a stabilising profile has to be fitted between the pergola posts.

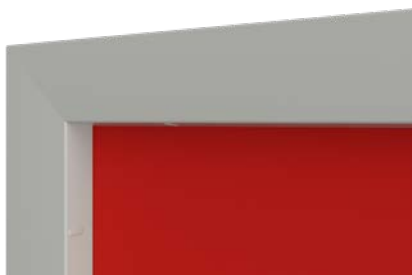
01 **Frame colours**

## 02 markilux frame colours without surcharge

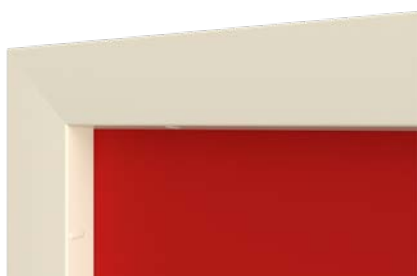
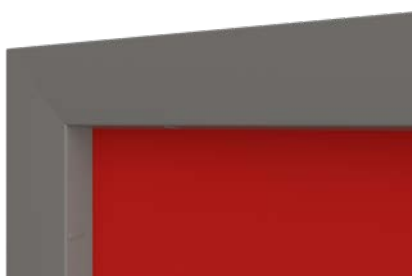
03 traffic white, RAL 9016



04 metallic aluminium, RAL 9006



05 grey brown, similar to RAL 8019

06 off-white textured finish, 5233 <sup>1)</sup>07 stone grey metallic, 5215 <sup>1)</sup>08 anthracite metallic, 5204 <sup>1)</sup>

10

11 havana brown textured finish, 5229 <sup>1)</sup>

Awning cover	fabric pattern no.	standard	optional
sunvas	300..-315..	✓	—
sunsilk	324.. / 325.. / 328.. / 369..	—	—
sunbow	411..-427..	✓	—
smart art	340..	—	✓
perla FR	371.. / 372..	—	✓
perfortex	331.. / 332..	✓	—
transolair	338..	—	✓
transolair (120 cm)	339..	—	✓
Soltis Perform 92	92-20..	—	—
glass fibre screen	272..	—	✓
panorama window		—	✓
full foil window		—	—

**Non-standard powder-coated finish**

Bespoke frame colours incur a surcharge – matt, metallic, finely textured and pearl finishes as well as other colour ranges (DB, Tiger etc.) on request. All frame colours are available at a surcharge with enhanced corrosion protection.

Colours may differ slightly from those depicted in both hue and finish.

1) textured finish

## Dimensions and configuration options

### markilux format **Basic frame**

Frame fixture\*

		Order width									
		100	150	200	250	300					
<b>Order height</b>	<b>100</b>	30 – 100	30 100	101 150	151 200	201 250	251 300				
	<b>150</b>	101 – 150	1)								
	<b>200</b>	151 – 200									
	<b>250</b>	201 – 250									

dimensions in cm

### markilux format **Clamp bracket**

Bracket fixture

		Order width									
		100	150	200	250	300					
<b>Order height</b>	<b>100</b>	30 – 100	30 100	101 150	151 200	201 250	251 300				
	<b>150</b>	101 – 150	1)								
	<b>200</b>	151 – 200									
	<b>250</b>	201 – 250									

dimensions in cm

The number of brackets depends on the order dimensions; see the section “Installing markilux format brackets”.

### markilux format **Fixed unit**

Posts attached to footings

		Order width				
		100	150	200	250	
<b>Order height</b>	<b>100</b>	40 – 100	40 100	101 150	151 200	201 250
	<b>150</b>	101 – 150	1) 2)	2)	2)	2)
	<b>200</b>	151 – 200	3)	3)	3)	3)

dimensions in cm

### markilux format **Triangular Unit**

Installed on the markilux pergola classic und cubic (square post)

		Order width											
		100	150	200	250	300	350	400	450	500	550	600	
<b>Order height</b>	<b>100</b>	30 – 100	30 100	101 150	151 200	201 250	251 300	301 350	351 400	401 450	451 500	501 550	551 600
	<b>150</b>	101 – 150	1)										

dimensions in cm

**Note:** Precise measurements required. See the section “markilux format Triangular Unit”. Every triangular unit of the markilux format is custom made and tested for its feasibility before the order is accepted.

\* = also installed in the markilux markant (the variant with corner posts in each case)

1) = please observe the minimum dimensions

2) = posts without steel core

3) = posts with steel core; steel core length = 128 cm

4) = posts with steel core; steel core length = 178 cm

01 **Overview of dimensions - markilux format basic frame**

02 Without brackets, holes are drilled in the frame on site

03 **Number of boreholes in the case of side fixture**

04 **BH ≤ 100 cm → 2 boreholes**

05 **BH ≤ 150 cm → 3 boreholes**

06 **BH ≤ 200 cm → 4 boreholes**

07 **BH ≤ 250 cm → 5 boreholes**

08 **Number of boreholes when fixing at the top and the bottom**

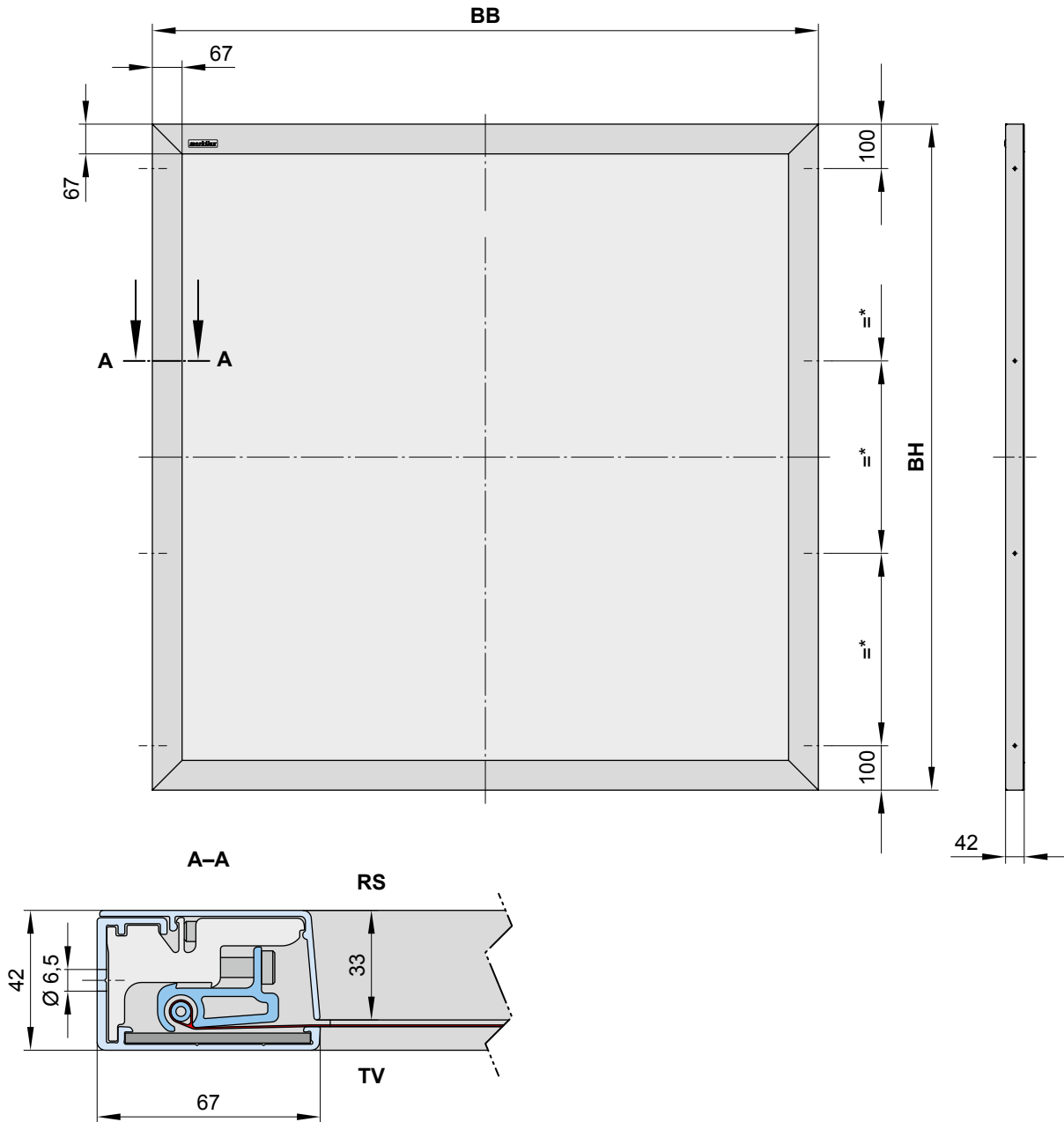
09 **BB ≤ 100 cm → 2 boreholes**

10 **BB ≤ 150 cm → 3 boreholes**

11 **BB ≤ 200 cm → 4 boreholes**

12 **BB ≤ 250 cm → 5 boreholes**

13 **BB ≤ 300 cm → 6 boreholes**



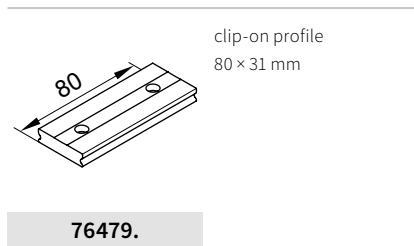
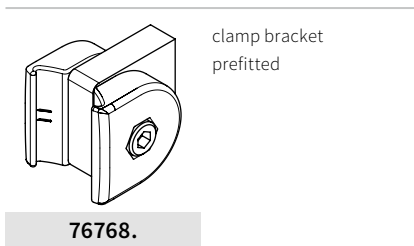
- \* = even fixing point distribution
- BB = order width
- BH = order height

- RS = rear / frame side
- TV = front / cover side

dimensions in mm

# Overview of dimensions - markilux format with bracket fixture

Fixtures, fittings and accessories



**Number of brackets in the case of side fixture**

BH ≤ 100 cm → 2 brackets

BH ≤ 200 cm → 3 brackets

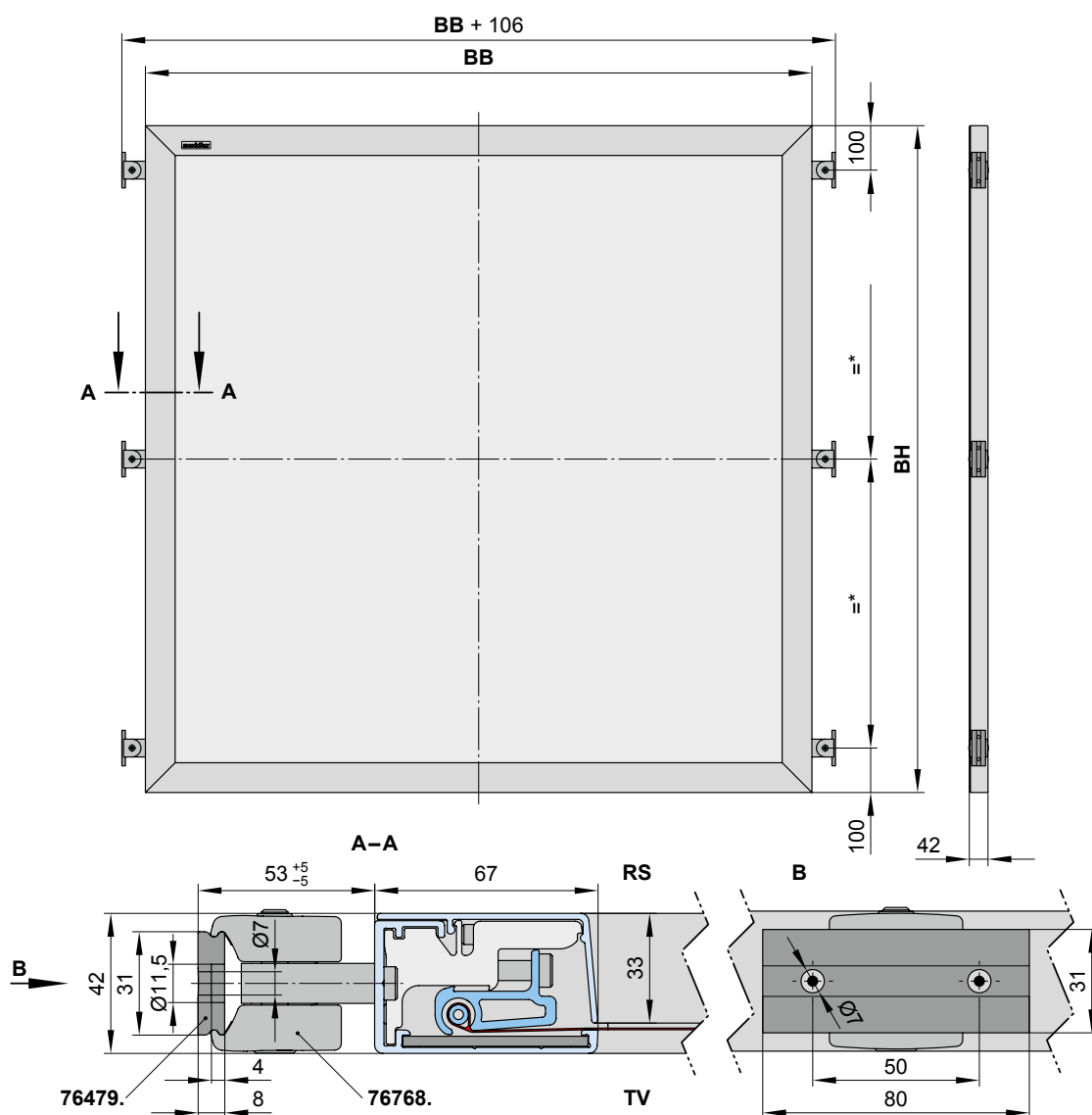
BH ≤ 250 cm → 4 brackets

**Number of brackets when fixing at the top and the bottom**

BB ≤ 100 cm → 2 brackets

BB ≤ 200 cm → 3 brackets

BB ≤ 300 cm → 4 brackets



\* = even fixing point distribution  
**BB** = order width  
**BH** = order height

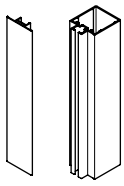
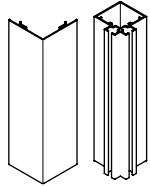

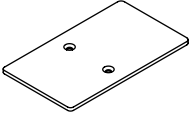
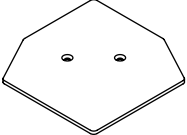

**RS** = rear / frame side  
**TV** = front / cover side

dimensions in mm

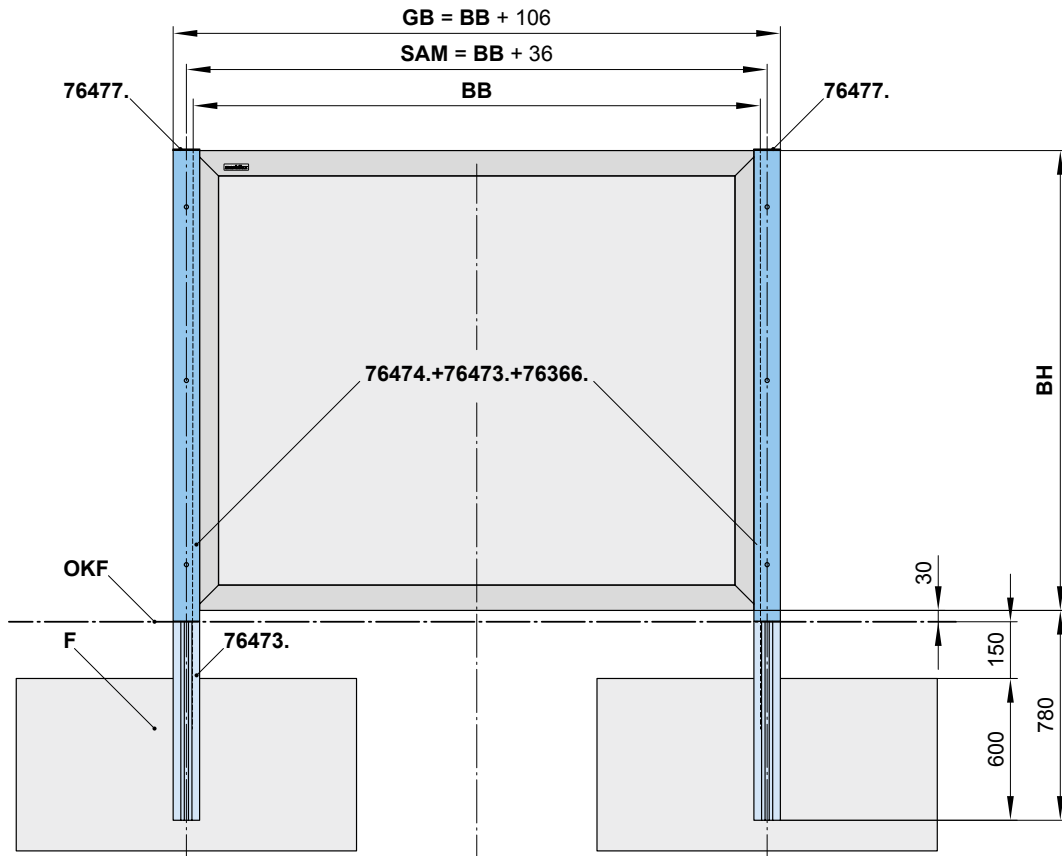
01  
02  
03  
04  
05  
06  
07  
08  
09  
**10**  
11  
12  
13

01 **Overview of dimensions – markilux format fixed to footings**

02 **Fixtures, fittings and accessories**

<p>03</p> <p>04</p> <p>05</p>  <p>cover profile and post</p> <p><b>76366. and 76473.</b></p>	<p>03</p> <p>04</p> <p>05</p>  <p>corner cover profile and 90° corner post</p> <p><b>76476. and 76475.</b></p>	<p>03</p> <p>04</p> <p>05</p>  <p>side cover profile for post</p> <p><b>76366.</b></p>
<p>06</p> <p>07</p> <p>08</p> <p>09</p>  <p>flat top plate for post</p> <p><b>76477.</b></p>	<p>06</p> <p>07</p> <p>08</p> <p>09</p>  <p>cover plate for a 90° corner post</p> <p><b>76478.</b></p>	<p>06</p> <p>07</p> <p>08</p> <p>09</p>  <p>steel strengthening core for post depending on the dimensions from an ordered height of 100 cm included with the delivery</p> <p><b>763191</b></p>

10 **Single panel**



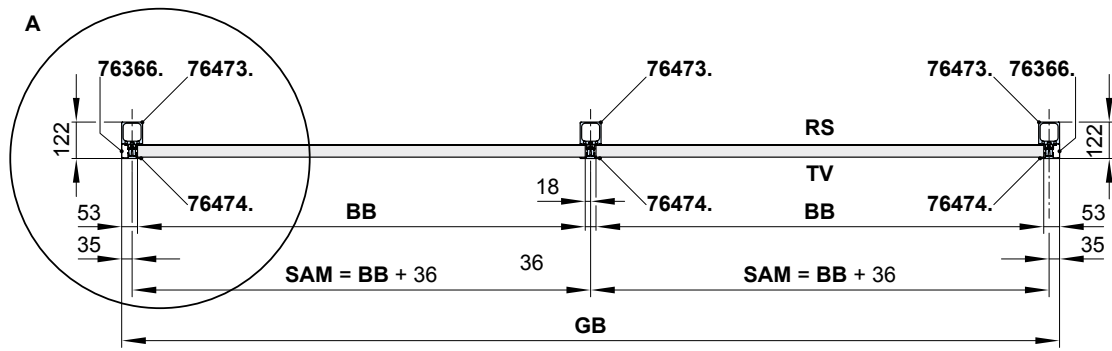
The structural design of the posts was based on a stagnation wind pressure of 585 N/m<sup>2</sup>, wind load zone 2, mixed profile 2 and 3 (inland). This corresponds to wind speeds ranging from 24.5–28.4 m/s, wind force Beaufort 10. When calculating footing sizes, local idiosyncracies (wind load zone, terrain category, etc.) need to be taken into consideration.

- |                          |  |
|--------------------------|--|
| <b>BB</b> = order width  | <b>GB</b> = overall width                      |
| <b>BH</b> = order height | <b>OKF</b> = ground level                      |
| <b>F</b> = footing       | <b>SAM</b> = centre-to-centre post measurement |
- dimensions in mm

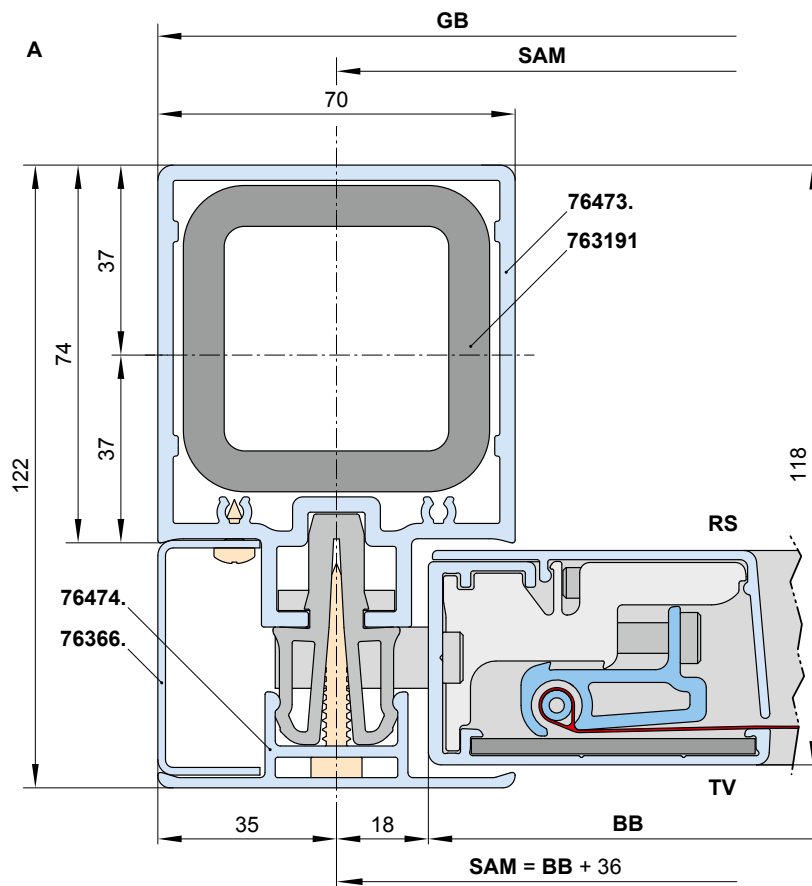


# Overview of dimensions – markilux format fixed to footings

Units in a row



Cross section of post with side cover profile



BB = order width  
 GB = overall width  
 RS = rear / frame side

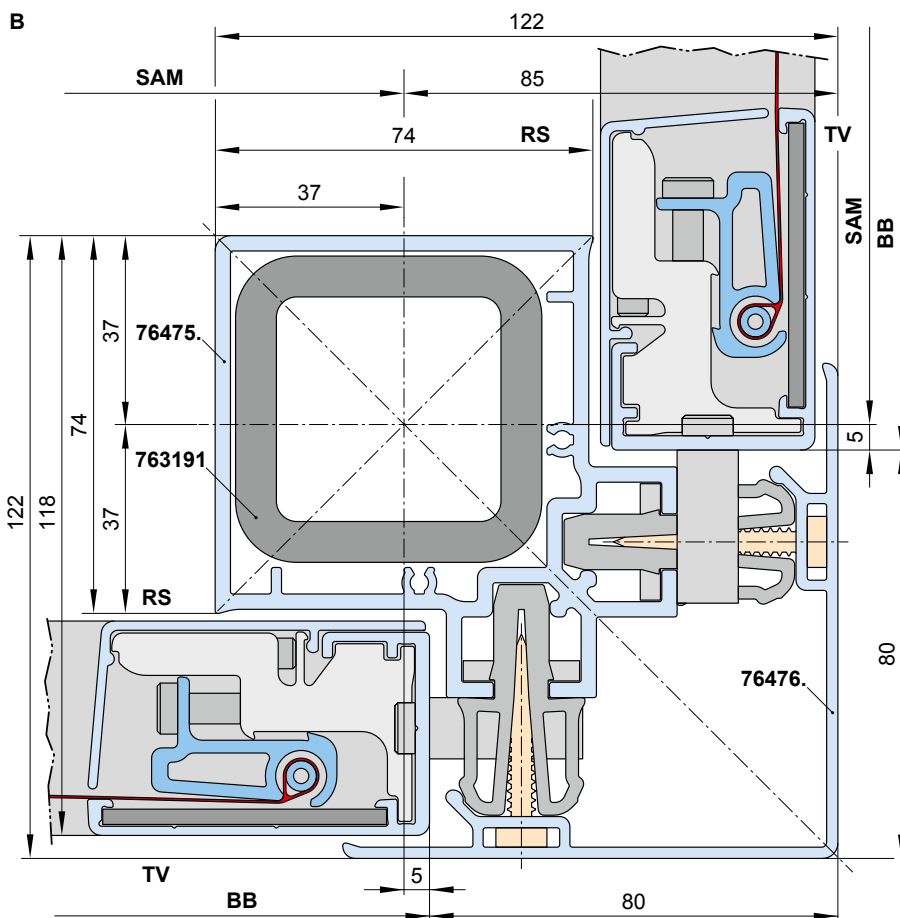
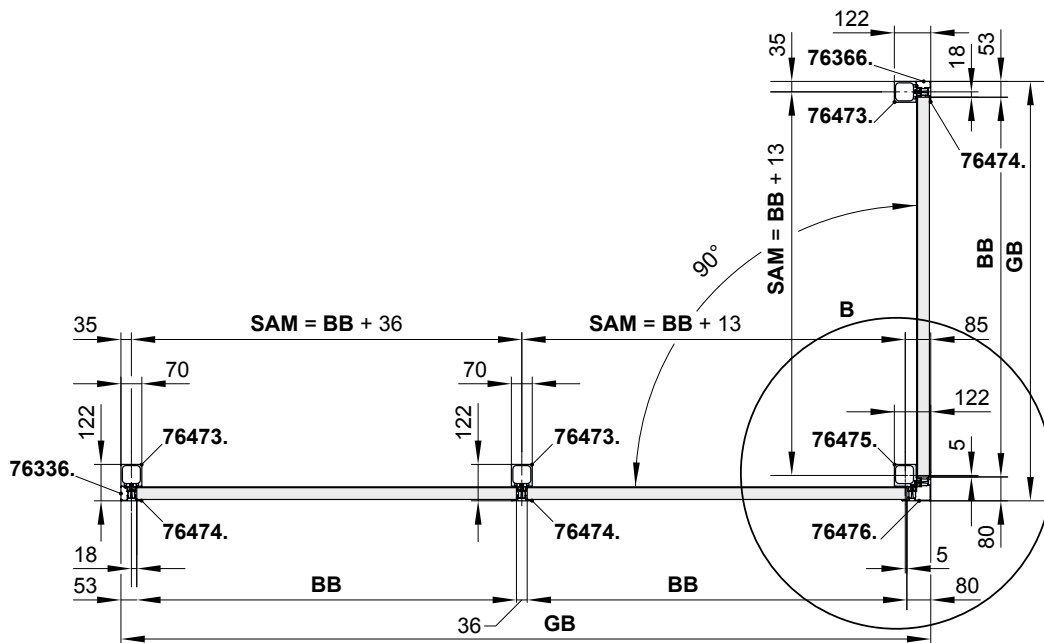
SAM = centre-to-centre post measurement  
 TV = front / cover side

dimensions in mm

01  
02  
03  
04  
05  
06  
07  
08  
09  
**10**  
11  
12  
13

# Overview of dimensions – markilux format fixed to footings

90° corner



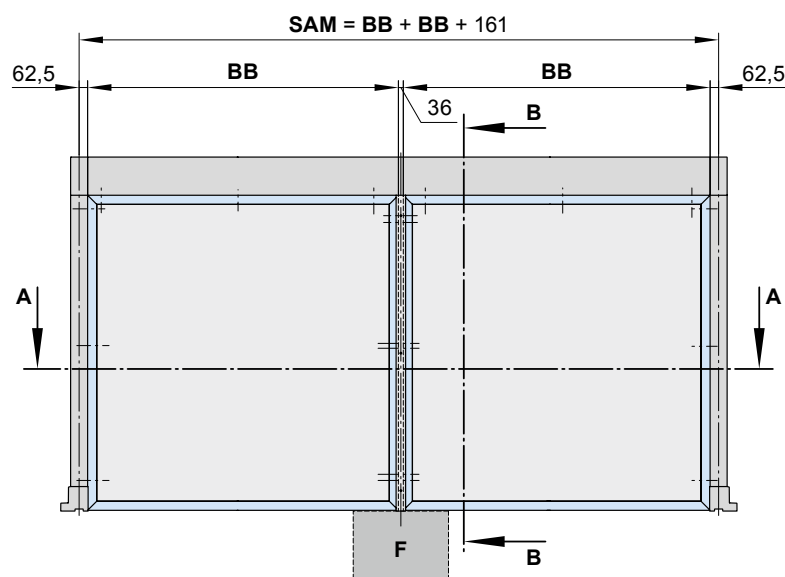
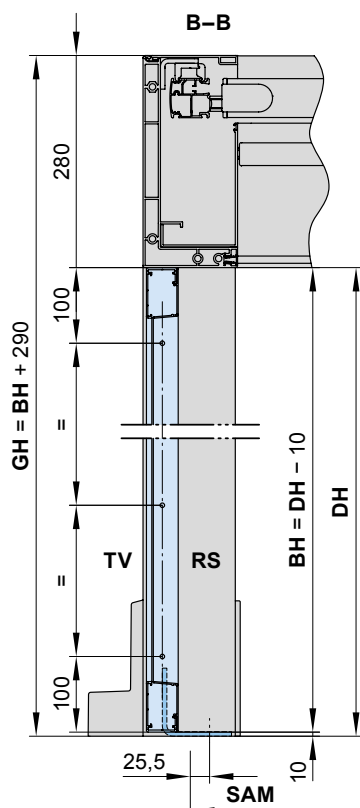
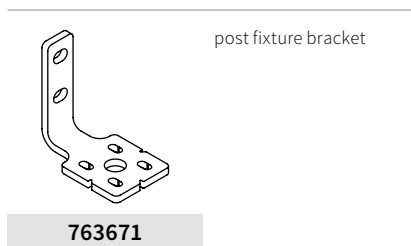
BB = order width  
 GB = overall width  
 RS = rear / frame side

SAM = centre-to-centre post measurement  
 TV = front / cover side

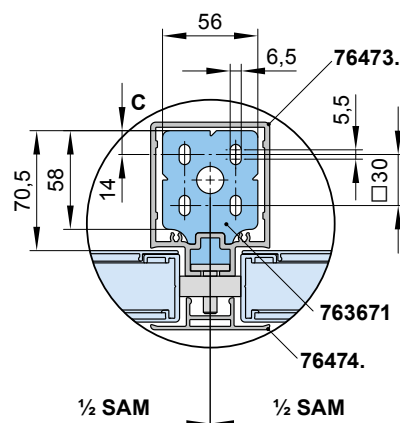
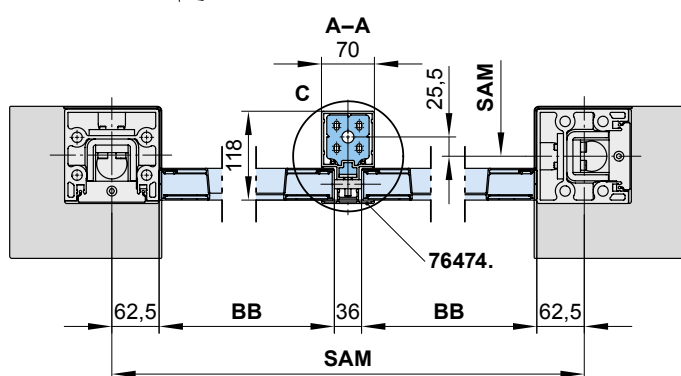
dimensions in mm

# Overview of dimensions – markilux format fitted to a markilux markant

Fixtures, fittings and accessories



When calculating the footing sizes **F** of a central post and selecting appropriate fixing materials, local idiosyncracies (wind load zone, terrain category, etc.) need to be taken into consideration.



- BB = order width
- BH = order height
- DH = headroom markilux markant
- F = footing

- GH = overall height
- RS = rear / frame side
- SAM = centre to centre post measurement, markilux markant
- TV = front / cover side

dimensions in mm

01  
02  
03  
04  
05  
06  
07  
08  
09  
10  
11  
12  
13

## 01 markilux format triangular screen

### 02 Important advice

- 03 • for structural reasons, the markilux format can only be fitted in triangular form to the markilux pergola!
- 04 • in this case, a stabilising profile has to be fitted between the pergola posts
- 05 • the baseplates of the pergola posts are made of steel and are heavier than the standard aluminium baseplates. in the case of coupled pergolas, steel baseplates are fitted to the outer posts and an aluminium baseplate is used in the centre
- 06 • a triangular markilux format may only be fitted to a markilux pergola with fixed posts
- 07 • it can only be fitted to a markilux pergola / syncra with square posts

08 **N.B!** A triangular markilux format may only be fitted to a markilux pergola if the following conditions are met:

- 09 • the markilux pergola is in wind load zone1 or wind load zone 2 maximum stagnation wind pressure  $q = 650 \text{ N/m}^2$ )
- 10 • the maximum extension of the markilux pergola if 1 markilux format triangular screen is to be fitted is 6 m at a maximum pitch of 15°
- 11 • the maximum extension of the markilux pergola if 2 markilux format triangular screens are to be fitted is 5,5 m at a maximum pitch of 15°

## 10

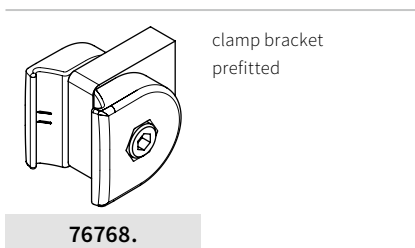
11

12

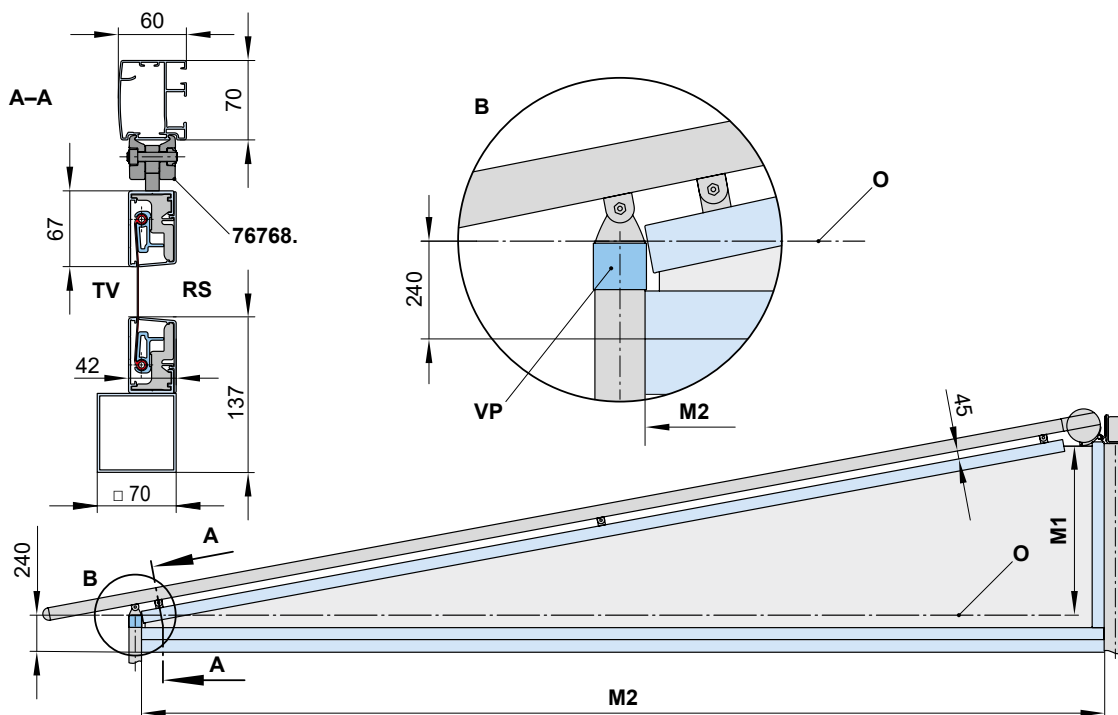
13

# Overview of dimensions – markilux format triangular version

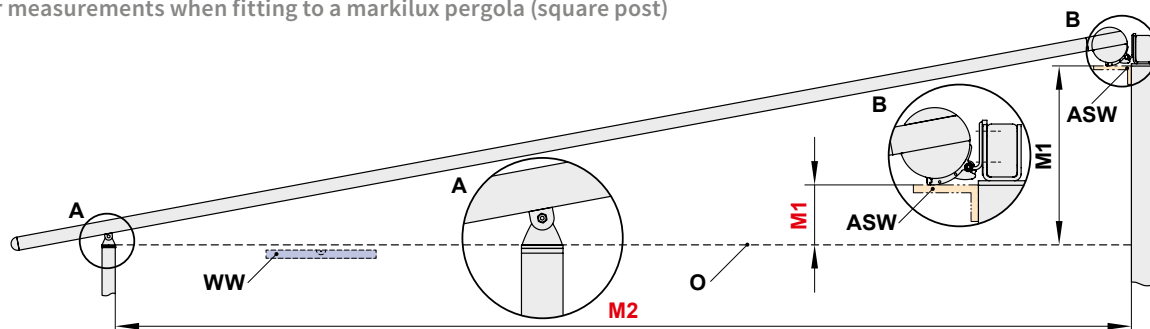
Fixtures, fittings and accessories



## Installation setting



## Order measurements when fitting to a markilux pergola (square post)



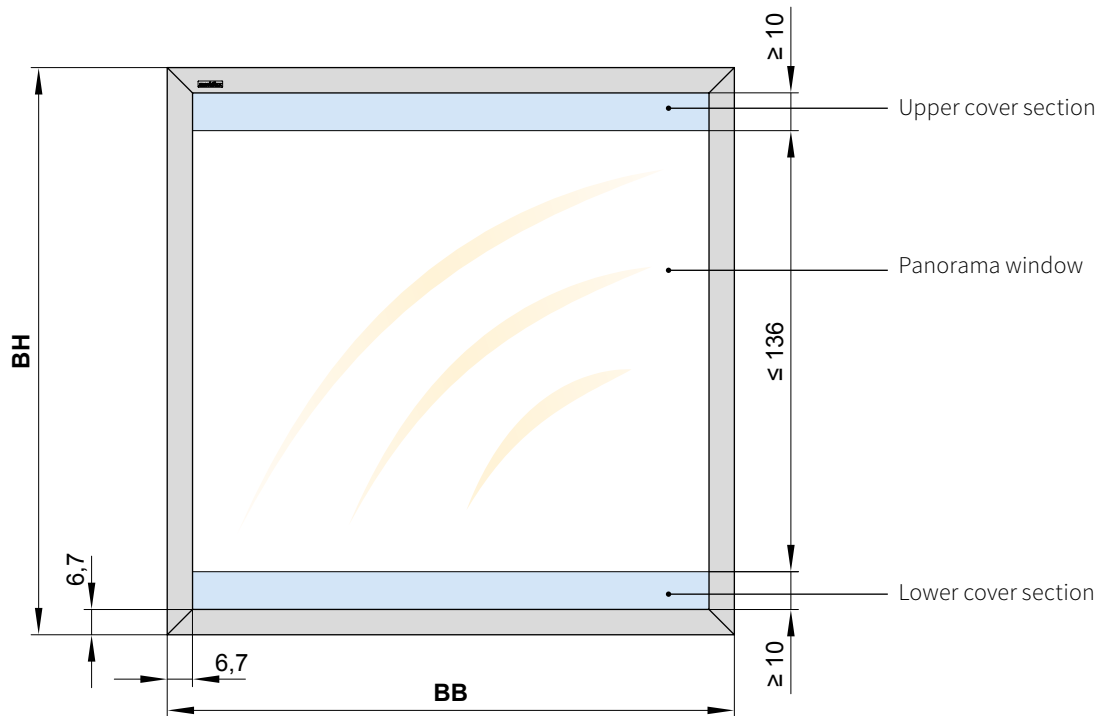
**N.B!** Precise measurements must be supplied after installation of the markilux pergola. Every triangular markilux format is made individually and to measure and provisionally checked for its feasibility before acceptance of the order. The markilux technical production drawing has to be signed off before production can begin. The separate measurement and ordering of markilux format triangular as a subsequent step after the installation of the systems to be combined is strongly recommended in order to ensure the required high fitting accuracy in the combination.

- |            |   |           |   |
|------------|---|-----------|---|
| <b>ASW</b> | = angle enabling precise measurements to be taken | <b>TV</b> | = front / cover side  |
| <b>M1</b>  | = <b>order height</b>                             | <b>VP</b> | = cross member  |
| <b>M2</b>  | = <b>order width</b>                              | <b>WW</b> | = horizontal measurement (calculated using a water hose or laser level) |
| <b>O</b>   | = top edge of markilux pergola post               |           |   |
| <b>RS</b>  | = rear / frame side                               |           |   |

dimensions in mm

## markilux format with flexible Panorama window

### Dimension overview



- maximum frame size of the markilux format basic frame / markilux format with brackets:  
Order width **BB** = 250 cm × order height **BH** = 150 cm or order width **BB** = 200 cm × order height **BH** = 200 cm
- panorama window in one piece, max. height 136 cm
- panel of fabric above and below the foil: sunvas
- these strips of fabric are always seamless
- in the case of striped fabrics, the stripes run horizontally. For this reason, plain fabrics are to be recommended.
- not available in the triangular markilux format

The differing physical properties of the Polyester material and that of the Panorama window can – depending on the temperature lead to puckering, curvature in the material or horizontal lines forming. Damp on the foil can cause so-called plasticiser migration to take place, which can lead to the foil becoming cloudy. A build-up of heat can exacerbate this effect. Any cloudiness that has become evident may disappear again in time. Because of the effect that varying weather conditions can have, no guarantee can be given in this regard. These

phenomena are directly linked to the material, unavoidable and therefore represent no cause for complaint. The regular application of an appropriate smear-free cleaning fluid that does not need to be rinsed off is recommended to clean and care for

the material:

**Cristalplus** Apco Cleaner  
0,75 litre bottle Article no.  
**7095079**

**BB** = order width  
**BH** = order height

dimensions in mm