



Drop-arm cassette awning

markilux 730

The awning with arms that drop out and away from the building – an adornment for any window with value-added functionality.

Product Characteristics

Wind resistance class 2
Beaufort 5 → 7.5–10.4 m/s → 28–37 km/h → 17–23 mph

01
02
03
04
05
06
07
08
09
10
11
12
13
14
15
16
17
18
19



face fixture

top fixture



aluminium wedge-in accro bars ¹⁾, telescopic support post height 218–320 cm

retracted closing mechanism

reveal fixture of drop arms, stainless steel gas pistons



cover split for unit width > 400 cm



1) Optional accessories

Product Characteristics

Description

- the drop-arm cassette awning tensioned by gas piston technology – for widths up to 700 cm

Special features

- fully encompassing cassette that protects the cover perfectly
- compact cassette profile that lends an attractive appearance to the unit
- attractive front profile
- optimum cover tension provided by drop arms that use high-grade stainless steel gas pistons
- sturdy drop arms with unique mechanism that enables the front profile to close tightly against the underside of the cassette
- option of wedge-in accro bars making it possible to install the awning between floor and ceiling – ideal for balconies
- front profile optionally with valance

Dimensions

- single unit: 74–700 cm in width
- maximum drop arm lengths / cover drops: 80/160 cm – 100/200 cm – 120/250 cm – 150/250 cm
- intermediate sizes are available

Roller tube and lateral bearings

- round roller tube Ø 63 mm with keyway, galvanised steel
- the roller tube bearing is made of stainless steel

Awning profiles

- extruded aluminium, in façade quality, powder coated
- cassette profile in one piece, angular, height × depth 95 mm × 95 mm
- front profile angular, height × depth 40 mm × 50 mm

Drop arms

- u-shaped profile, width × profile depth 25 mm × 32 mm, attractively rounded, extruded aluminium, powder coated
- maximum angle of drop 140°
- excellent tension provided by marine grade stainless steel V4A gas pistons, pressure 580 N

End caps

- the cassette end caps are made of high-quality plastic, powder coated
- the front profile end caps are made of high-quality plastic, powder coated

Fixture brackets

- extruded aluminium, powder coated
- cassette brackets: face fixture, top fixture, reveal fixture
- brackets for the drop arms: face fixture, reveal fixture
- other accessories are available

01 **Frame colours**

02 markilux frame colours without surcharge

03 traffic white, RAL 9016



metallic aluminium, RAL 9006



grey brown, similar to RAL 8019

**09**off-white textured finish, 5233 ¹⁾stone grey metallic, 5215 ¹⁾anthracite metallic, 5204 ¹⁾havana brown textured finish, 5229 ¹⁾**Non-standard powder-coated finish**

Bespoke frame colours incur a surcharge – matt, metallic, finely textured and pearl finishes as well as other colour ranges (DB, Tiger etc.) on request. All frame colours are available at a surcharge with enhanced corrosion protection.

Colours may differ slightly from those depicted in both hue and finish.

1) textured finish

Dimensions and configuration options

Single unit

		Awning width												Minimum width		
		100	150	200	250	300	350	400	450	500	550	600	650	700	Hard-wired motor	Radio-controlled motor
Order dimensions	50															
	100															
AL	80 ¹⁾															
	100 ²⁾															
	120 ³⁾															
	150 ³⁾															

dimensions in cm

- 1) = cover length 160 cm
 - 2) = cover length 200 cm
 - 3) = cover length 250 cm
 - A = arm length
- = 2 brackets, 2 drop arms
 - = 3 brackets, 2 drop arms
 - = 3 brackets, 3 drop arms, 1 nylon support bearing (split cover)

Operation	standard	optional
crank handle, outside	✓ ¹⁾	—
crank handle, at the rear	—	✓ ¹⁾
crank handle, internal operation	—	✓ ¹⁾
hard-wired motor	—	✓
radio-controlled motor io, 868 MHz	—	✓
radio-controlled motor RTS, 433 MHz	—	✓

1) Up to a maximum awning width of 400 cm

Coupled awnings
not available

Awning cover	fabric pattern no.	standard	optional
sunvas	300..-315..	✓	—
sunsilk	324.. / 325.. / 328.. / 369..	✓	—
sunbow	411..-427..	✓	—
smart art	340..	—	✓
perla FR	371.. / 372..	—	✓
perfortex	331.. / 332..	✓	—
transolair	338..	—	✓
transolair (120 cm)	339..	—	✓
vuscreen Alu	317..	—	✓
Soltis Perform 92	92..	—	✓
Serge 600	272..	—	✓
valance, height 20 cm		—	✓

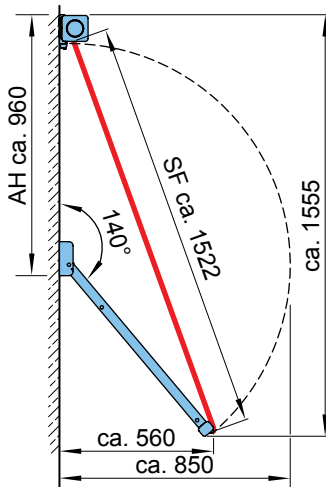
Optional accessories
aluminium wedge-in accro bars
valance
automatic controls (light, wind, rain)

N.B. Important background information can be found in the chapter "Optional Accessories".

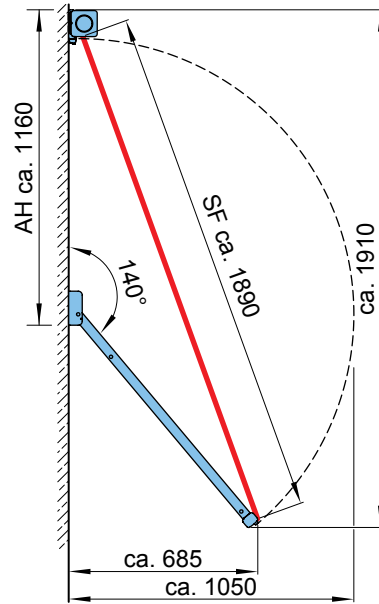
Window coverage

On the basis of the standard arm lengths

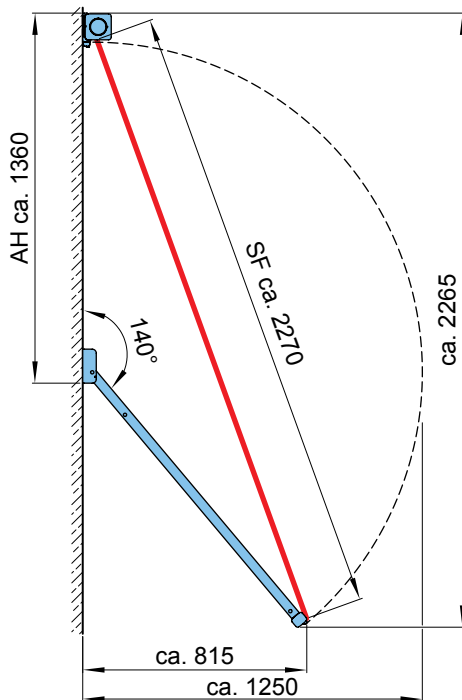
Arm length: 80 cm
Cover length: 160 cm



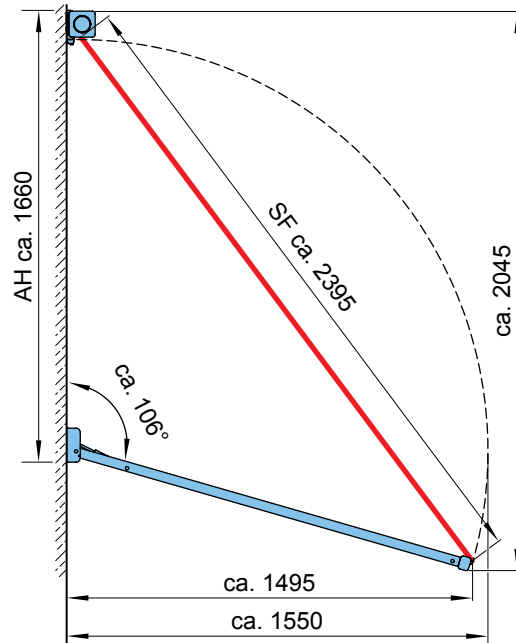
Arm length: 100 cm
Cover length: 200 cm



Arm length: 120 cm
Cover length: 250 cm



Arm length: 150 cm
Cover length: 250 cm

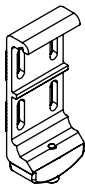
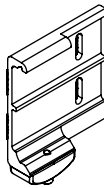
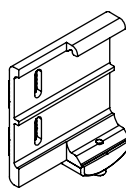
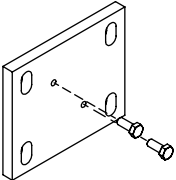
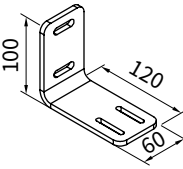
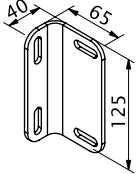
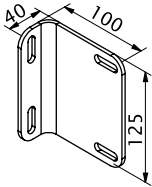


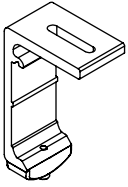
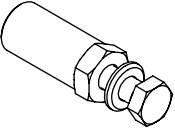
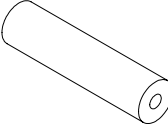


AH = unit height
SF = visible cover

dimensions in mm

Fixtures, fittings and accessories

Accessories

 <p>face fixture bracket 50 mm</p> <p>78797.</p>	 <p>face fixture bracket with fishplate for lateral fixture, right N.B! not for the operation side: • interior operation • operation from the rear</p> <p>78920.</p>	 <p>face fixture bracket with fishplate for lateral fixture, left N.B! not for the operation side: • interior operation • operation from the rear</p> <p>78921.</p>
 <p>spreader plate 120 × 100 × 10 mm</p> <p>78982.</p>	 <p>additional angled bracket for reveal fixture 100 × 120 × 60 mm please order additional accessories 792931!</p> <p>77220.</p>	 <p>additional angled bracket for lateral arm fixture – reveal fixture 65 × 40 × 125 mm bearing / motor side please order additional accessories 793151!</p> <p>78912.</p>
 <p>additional angled bracket for lateral arm fixture – reveal fixture 100 × 40 × 125 mm please order additional accessories 793151!</p> <p>78913.</p>	 <p>accessories for two angled brackets 77220. or 78565.</p> <p>792931</p>	 <p>accessories for two angled brackets 78912. or 78913.</p> <p>793151</p>
 <p>top fixture bracket 50 mm</p> <p>78859.</p>	 <p>reduction bolt M 10 → M 6 / SW 13 pack 10 pcs</p> <p>753211</p>	 <p>stand-off fixing tube 30 × 10 × 1000 mm N.B.! Stack to a max. height of 120 mm</p> <p>701668</p>

01
02
03
04
05
06
07
08
09
10
11
12
13
14
15
16
17
18
19

01 Overview of dimensions

02

03

04

05

06

07

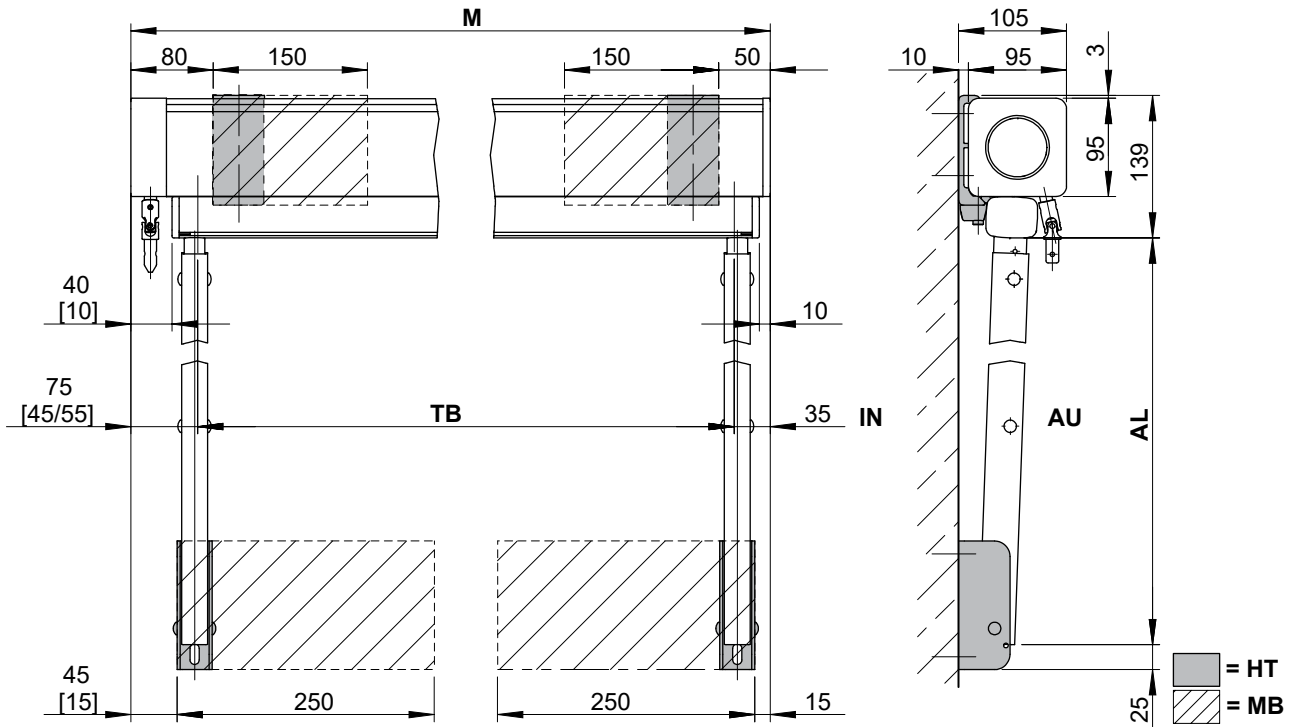
08

09

10

11

12



13 Face fixture

14

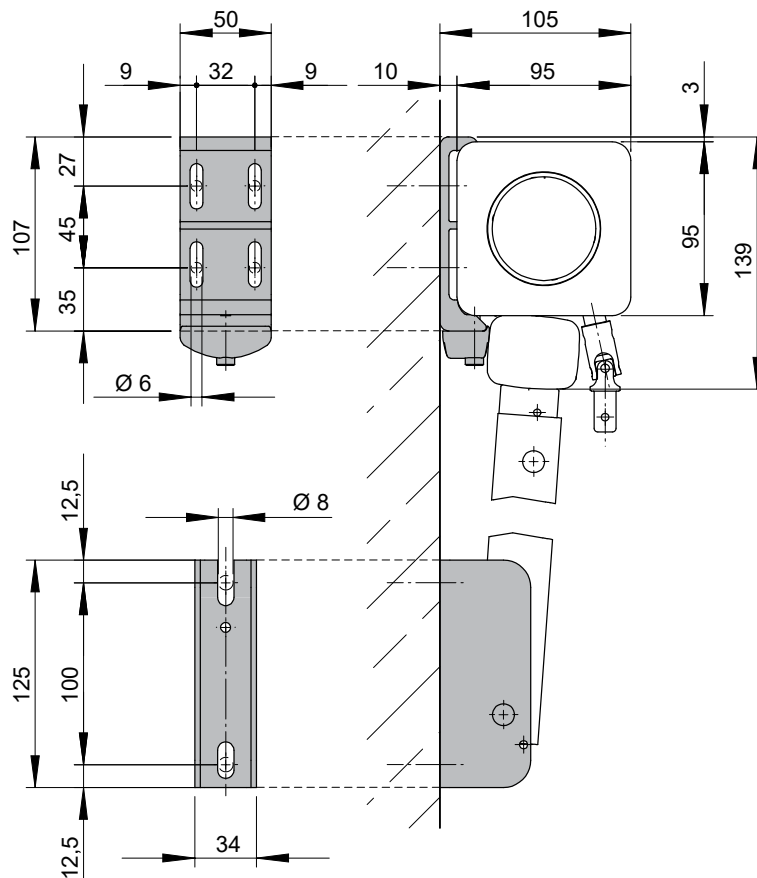
15

16

17

18

19



[...] = dimensions in the case of motor / interior operation (MO)

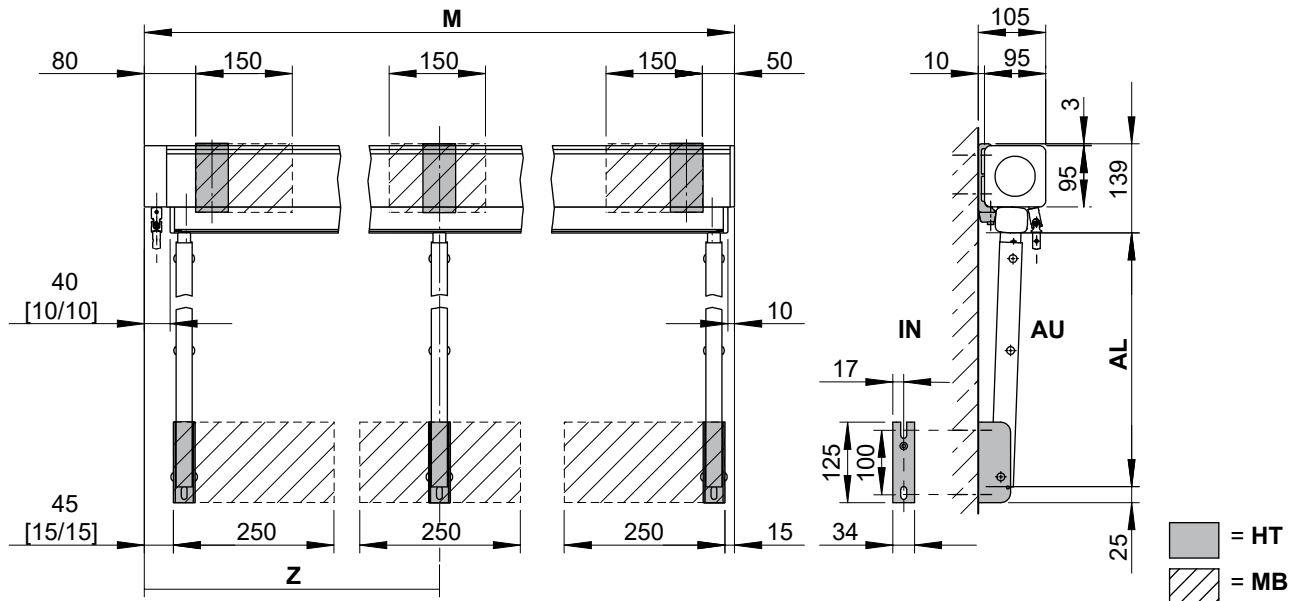
AL = **order dimension** = arm length
 AU = exterior
 HT = bracket

IN = interior
 M = **order dimension** = overall awning width
 MB = bracket fixture range
 TB = cover width

dimensions in mm

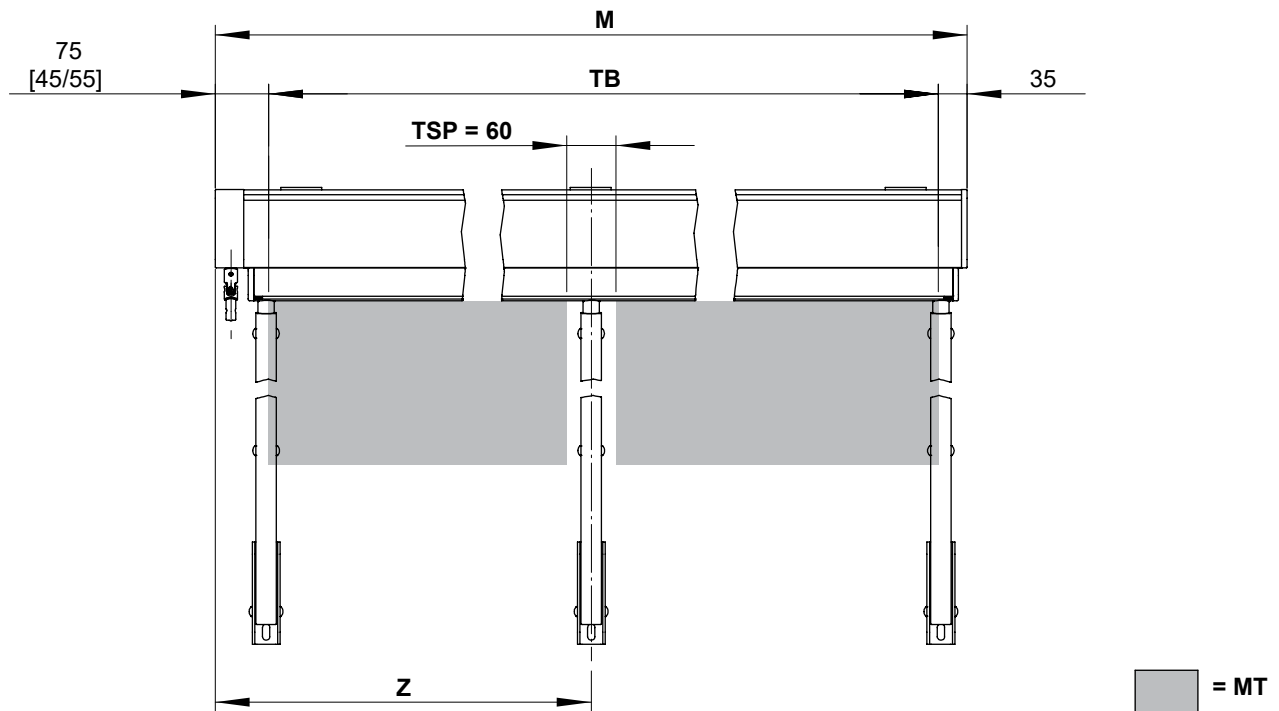
Overview of dimensions

Single unit with three arms, width > 400 cm



01
02
03
04
05
06
07
08
09
10
11
12
13
14
15
16
17
18
19

Dimensional overview of a single unit with three arms, split cover



[...] = dimensions in the case of motor / interior operation (MO)

AL = order dimension = arm length

AU = exterior

HT = bracket

IN = interior

M = order dimension = overall awning width

MB = bracket fixture range

MT = awning cover

TB = cover width

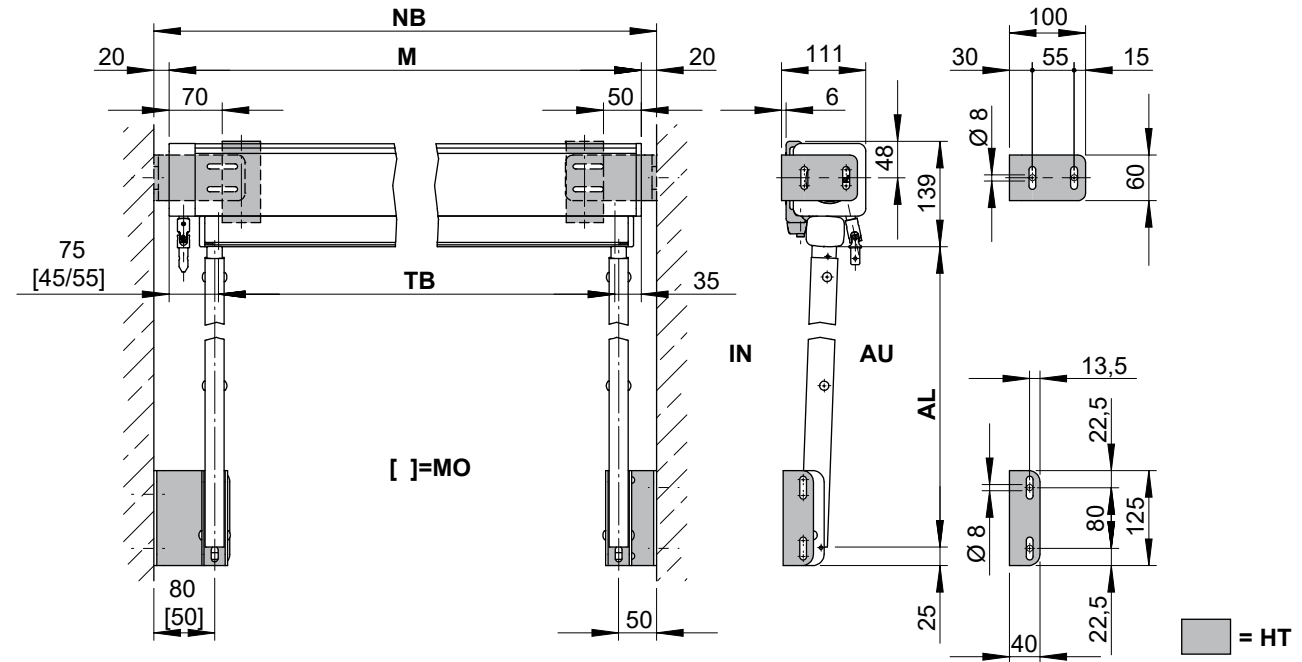
TSP = cover gap

Z = please note where the split in the cover should be when ordering (measured from the left)

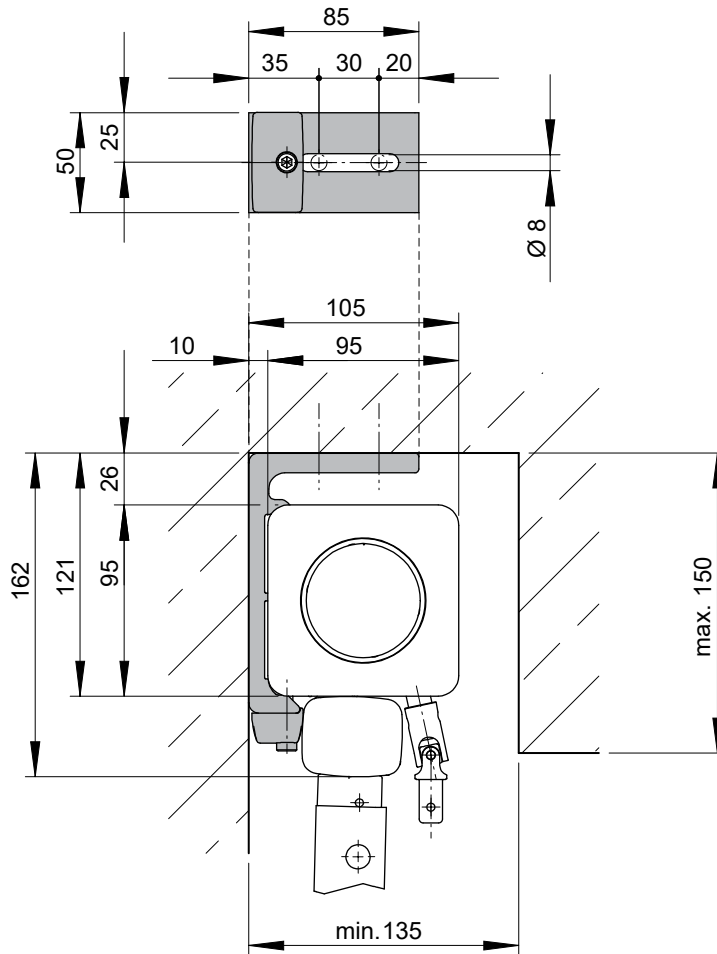
dimensions in mm

Reveal fixture

Manual operation or motor drive



Reveal fixture in a top window well, manual operation



[...] = dimensions in the case of motor / interior operation (MO)

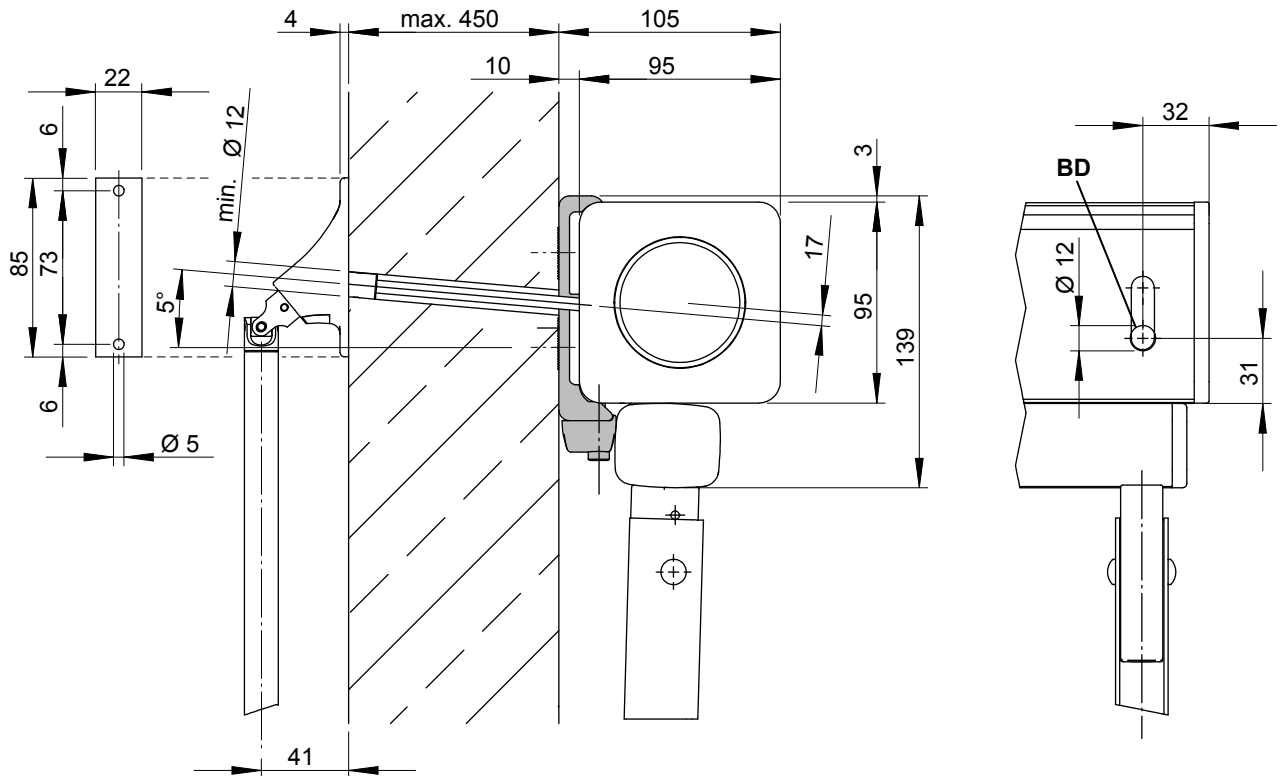
AL = **order dimension** = arm length
 AU = exterior
 HT = bracket

IN = interior
 M = **order dimension** = overall awning width
 NB = reveal width
 TB = cover width

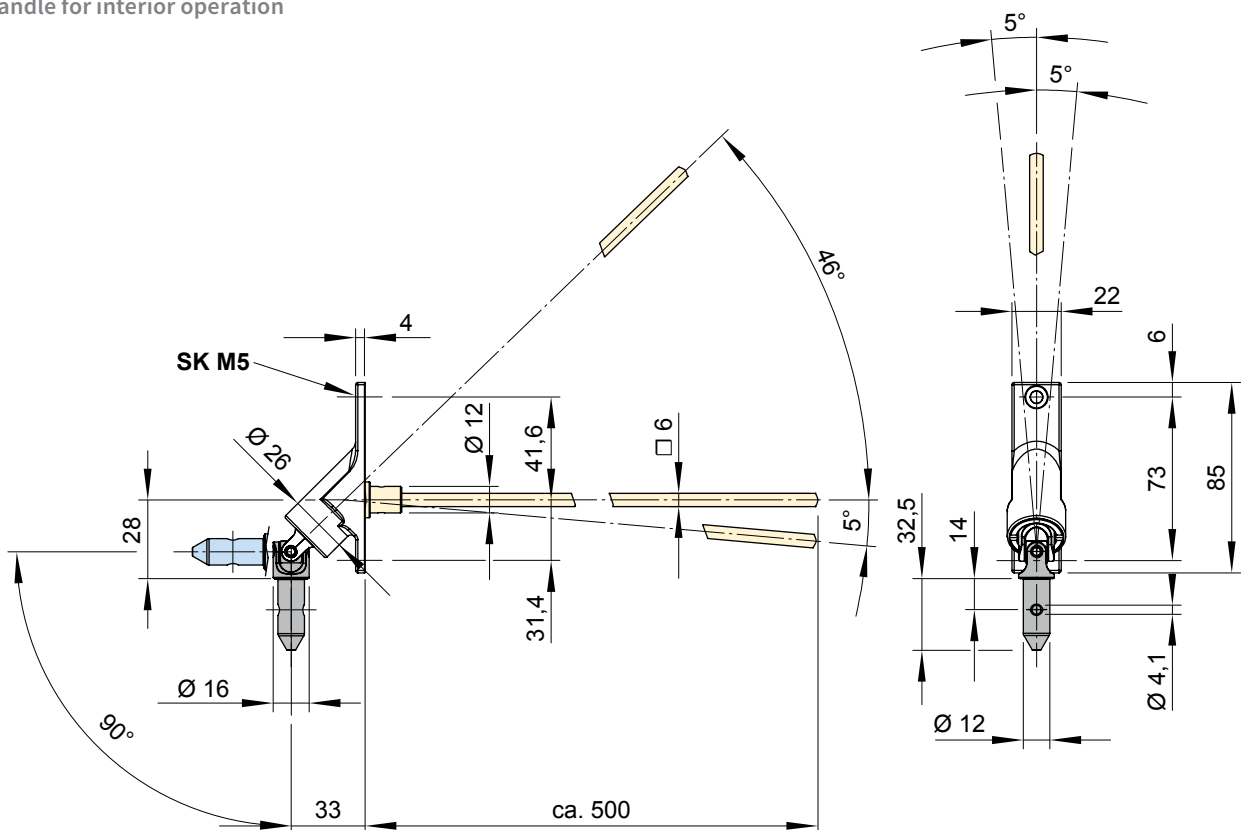
dimensions in mm

Face fixture

Manual operation with interior operation



Handle for interior operation



BD = horizontal drill hole
 SK = countersunk screw hole

dimensions in mm

01
 02
 03
 04
 05
 06
 07
 08
09
 10
 11
 12
 13
 14
 15
 16
 17
 18
 19

01 **Manual operation from the rear**

02

03

04

05

06

07

08

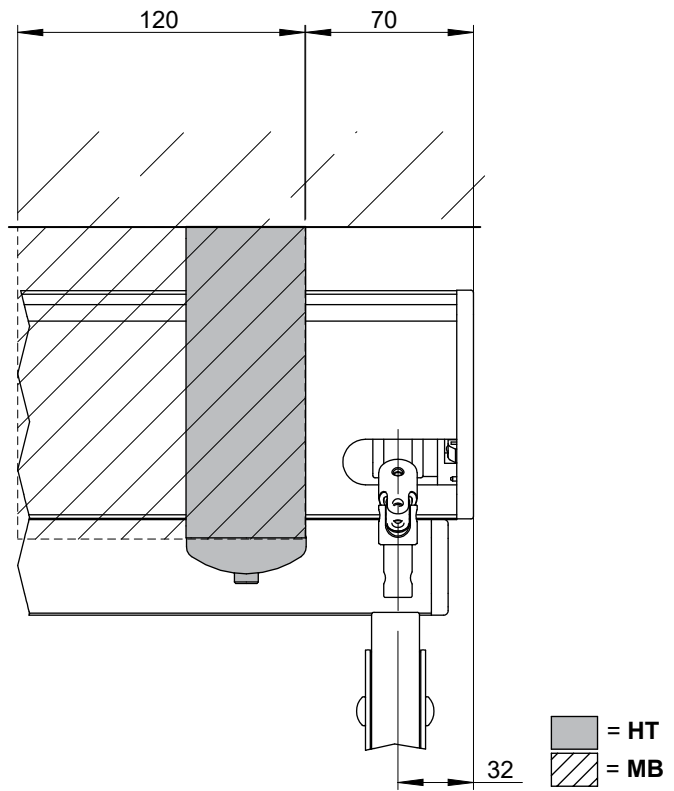
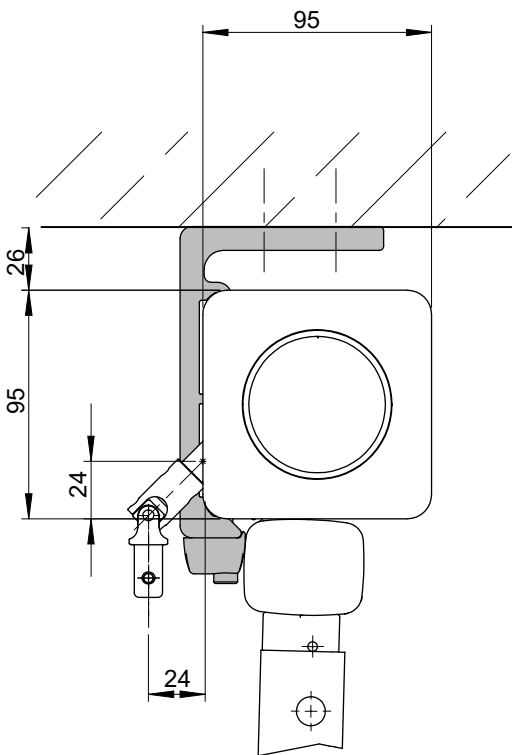
09

10

11

12

13



14 **Motor cable exit point**

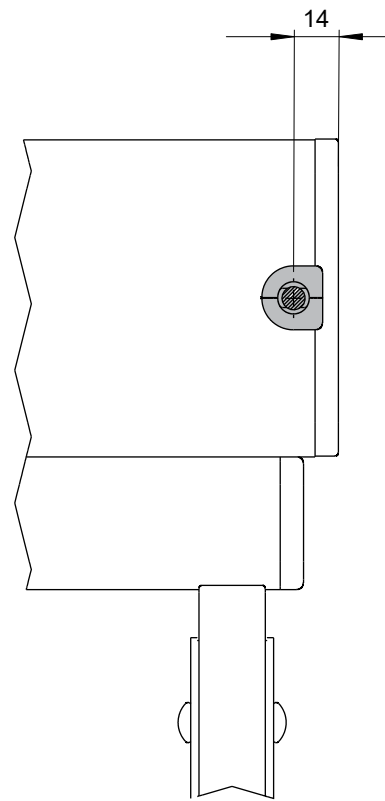
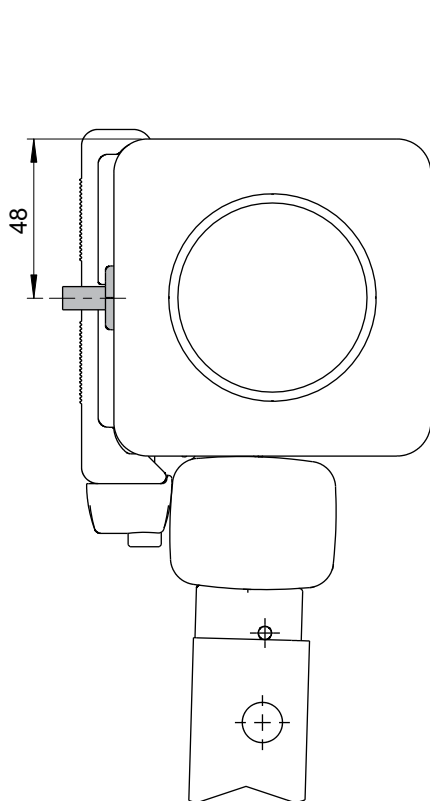
15

16

17

18

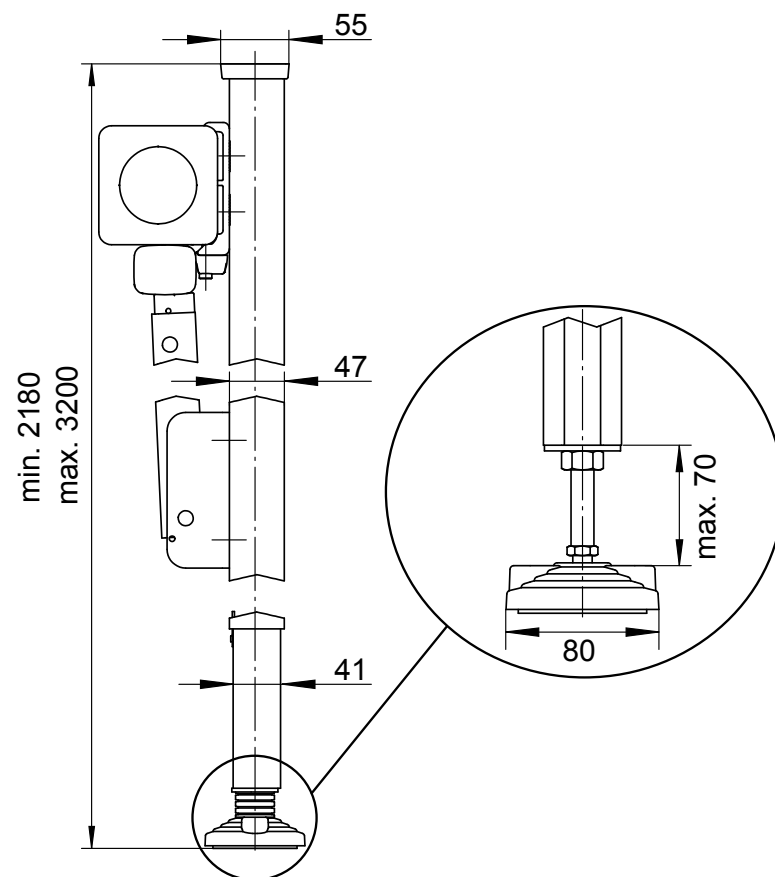
19



HT = bracket
 MB = bracket fixture range

dimensions in mm

Aluminium wedge-in accro bars



N.B! Telescopic range 218–320 cm.

Maximum awning width 400 cm, up to 2 drop arms.

The top caps of the accro bars have to be screwed into the ceiling.

01
02
03
04
05
06
07
08
09
10
11
12
13
14
15
16
17
18
19

01

02

03

04

05

06

07

08

09

10

11

12

13

14

15

16

17

18

19