



Open style awning

## markilux 1700 stretch

The classic torque bar awning with a designer look. Technology laid bare with an award-winning appearance. Large projections at limited widths – the perfect solution for narrow reveals, balconies and patios.



German  
Design Award  
NOMINEE 2014



reddot design award  
winner 2012

[markilux.com](http://markilux.com)

**markilux**  
safe timeless beautiful

# Product Characteristics

Wind resistance class 2  
Beaufort 5 → 7.5–10.4 m/s → 28–37 km/h → 17–23 mph

01  
02  
03  
04  
05  
06  
07  
08  
09  
10  
11  
12  
13  
14  
15  
16  
17



1 face fixture



1 face fixture, maximum pitch of 25°



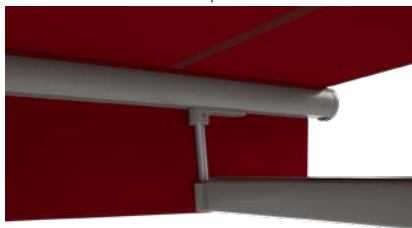
1 top fixture



2 folding arm suspended from the torque bar



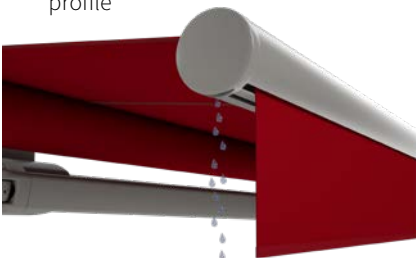
3 connection of the lower folding arm to the front profile



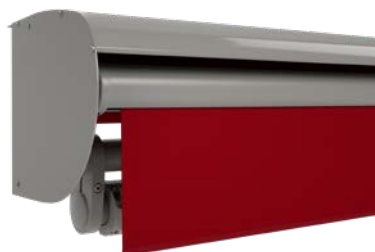
4 bionic tendon made of high-tech fibres for optimum power transference



5 unique water drainage system and hidden cover pocket in the front profile



aluminium coverboard <sup>1)</sup>



1) Optional accessories

## Product Characteristics

### Description

- open folding-arm awning with special arm technology ideally suited for shading areas with greater depth than width

### Special features

- awning with an extremely torsion-resistant, round torque bar
- round, fluid transition from the round torque bar to the round roller tube
- the tiered arms make greater projections than widths possible
- ingenious pitch adjustment – the angle of the awning is adjusted via the fixture bracket

### Dimensions

- cassette in the standard version: depth 240 mm, height 289 mm
- single unit: minimum width 123 cm at the smallest projection of 150 cm, maximum width 248 cm at the largest projection of 400 cm

### Roller tube and lateral bearings

- round roller tube Ø 85 mm with keyway, galvanised steel – excellent stability, ensures near perfect cover performance even at the largest widths
- roller support bracket made of die-cast aluminium, powder-coated, with integrated, concealed cable duct when motor driven

### Awning profiles

- extruded aluminium, in façade quality, powder coated
- circular front profile with integrated gutter
- round torque bar Ø 50 mm, galvanised both inside and out, powder coated

### Folding arms

- profiles in extruded aluminium, in façade quality, powder coated
- moving parts made of drop-forged aluminium – the arms are therefore extremely fracture resistant
- pivot bolts in stainless steel run in Teflon-coated bronze bushes – practically maintenance free, virtually silent and extremely hard wearing
- power transference via the innovative bionic tendon at the elbow joint, made of high tensile, hightech fibres – low in friction, noiseless, impervious to corrosion and UV resistant, independently tested by the Fraunhofer Institute

### End caps

- the roller support bracket insert sections are made of high-quality plastic, powder coated or in a polished chrome finish
- the front profile end caps are made of high-quality plastic, powder coated or with a polished chrome finish, with water drainage holes

### Fixture brackets

- face fixture, top fixture, eaves fixture
- extruded aluminium, powder coated
- pitch range 5°–25°, infinitely adjustable
- spacer plates, stand-off brackets and other accessories are available

01 **Frame and end cap colours**

markilux frame colours without surcharge

02

traffic white, RAL 9016

metallic aluminium, RAL 9006

grey brown, similar to RAL 8019

03



04

05

06

07 off-white textured finish, 5233 <sup>1)</sup>

stone grey metallic, 5215 <sup>1)</sup>

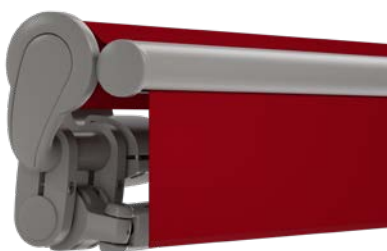
anthracite metallic, 5204 <sup>1)</sup>

08

09

10

11



12 havana brown textured finish, 5229 <sup>1)</sup>

13

14

15

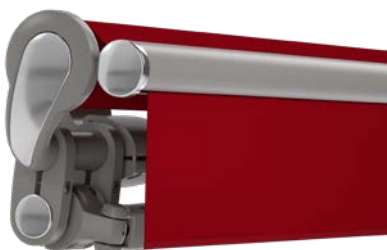


16

17 off-white textured finish, 5233 <sup>1)</sup>  
insert and front profile end cap in polished chrome

stone grey metallic, 5215 <sup>1)</sup>  
insert and front profile end cap in polished chrome

anthracite metallic, 5204 <sup>1)</sup>  
insert and front profile end cap in polished chrome



Combination options – possible in any frame colour.

**Non-standard powder-coated finish**

Bespoke frame colours incur a surcharge – matt, metallic, finely textured and pearl finishes as well as other colour ranges (DB, Tiger etc.) on request. All frame colours are available at a surcharge with enhanced corrosion protection.





Colours may differ slightly from those depicted in both hue and finish.

1) textured finish



# Dimensions and configuration options


Single unit


		Overall awning width								Minimum width			
		150	175	200	225	250	300	350	400	Motor		Crank handle	
Order dimensions		123	151	176	201	226	251	301	351				
		150	175	200	225	250	300	350	400	130	123	132	125
H	150	2)	2)	1)	—	—	—	—	—	130	123	132	125
	200	—	2)			1)	—	—	—	155	148	157	150
	250	—	—	2)			1)	—	—	180	173	182	175
	300	—	—	2)				1)	—	205	198	207	200
	350	—	—	—	2)				1)	230	223	232	225
	400 <sup>3)</sup>	—	—	—	—					255	248	257	250

dimensions in cm

- 1) = inside dimensions on request
  - 2) = please note the minimum widths!
  - 3) = only available with motor drive (surcharge)
- H = projection

= 2 folding arms, 2 brackets

 = 2 standard arms

 = 2 bespoke arms (surcharge)

### Operation

	standard	optional
crank handle	✓	—
spring-assisted crank handle	—	✓
hard-wired motor	—	✓
silentec motor (optionally with an external io / RTS receiver) <sup>1)</sup>	—	—
radio-controlled motor io, 868 MHz	—	✓
radio-controlled motor RTS, 433 MHz	—	✓
with manual override <sup>1)</sup>	—	—

1) For awnings with a maximum of 2 arms

### Coupled awnings

not available

### Awning cover

	fabric pattern no.	standard	optional
sunvas	300..-315..	✓	—
sunsilk	324.. / 328.. / 369..	✓	—
sunbow	411..-427..	✓	—
smart art	340..	—	✓
perla FR	371.. / 372..	—	✓
valance, height 25 cm		✓	—

### Shadeplus

not available

01  
02  
03  
04  
05  
06  
07  
08  
09  
10  
11  
12  
13  
14  
15  
16  
17

**Optional accessories**

aluminium coverboard
infrared heater 2500 W
infrared heater 2500 W with integrated radio-controlled receiver 868 MHz Funk io
LED-spotline – light bar 110 × 70 mm with 5 W LED-spotlights, 180 cm / 3 spots or 300 cm / 5 spots
LED-spotline io – light bar 110 × 70 mm with 5 W LED spotlights with integrated dimmable radio-controlled receiver, width 180 cm / 3 spots or 300 cm / 5 spots
automatic controls (light, wind, rain)

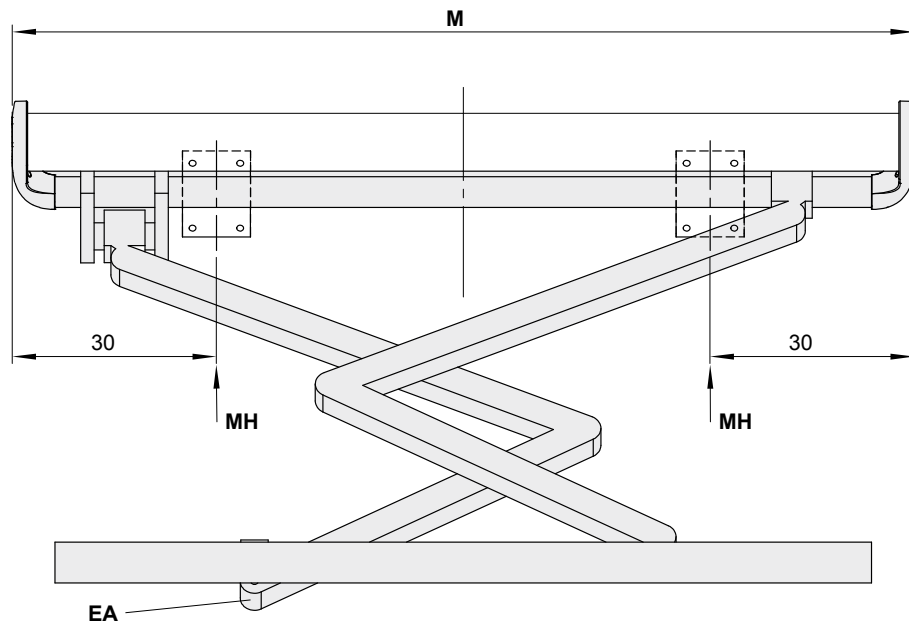
N.B. Important background information can be found in the chapter “Optional Accessories”

**Fixture options**

wall bracket 100 mm	70867.
fixture plate A 430 × 160 × 12 mm	75326.
fixture plate B 300 × 400 × 12 mm	75325.
markilux panel 250 × 230 × 49 mm	76308.
markilux panel continuous	701104
stand-off bracket 80–300 mm	77968.
top fixture bracket 90 mm	70868.
eaves fixture bracket 90 mm, plate 150 mm	71612.
eaves fixture bracket 90 mm, plate 270 mm	71659.
angle and plate for eaves fixture machine finish aluminium, plate 500 mm	716620
spreader plate 260 × 60 × 12 mm for eaves fixture bracket	75383.

## Bracket fixture range

Awning with 2 folding arms



dimensions in cm

		Awning width							
		150	175	200	225	250	300	350	400
Order dimensions		123	151	176	201	226	251	301	351
		150	175	200	225	250	300	350	400
		No. of brackets   No. of fixing points							
<b>W</b>	<b>BHT 10</b>	2   6							
<b>BP</b>		A 2   16 B 2   8							
<b>PA</b>		2   8							
<b>DE</b>	<b>9</b>	2   8							
<b>DA</b>	<b>9</b>	2   8							

dimensions in cm

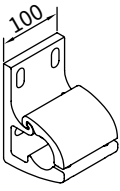
The **pull-out forces** necessary for determining the correct fixing materials necessary to meet wind resistance class 2 (Beaufort 5) can be found in the password-protected dealer area of the [pro.markilux.com](http://pro.markilux.com) website under "Pull-out Forces".

- BHT** = bracket width
- BP** = spreader plate **A** or **B**, to be positioned behind the folding arm
- DA** = eaves fixture brackets
- DE** = top fixture brackets
- EA** = deep folding-arm (opposite of the drive side)
- M** = **order width** = awning width
- MH** = bracket centre
- PA** = markilux panel, fixture profile, width 250 mm
- W** = face fixture brackets

01  
02  
03  
04  
05  
06  
07  
08  
09  
10  
11  
12  
13  
14  
15  
16  
17

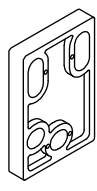
# Face fixture

## Fixtures, fittings and accessories



face fixture bracket  
100 mm


**70867.**



spacer plate for face  
fixture  
100 × 150 × 20 mm

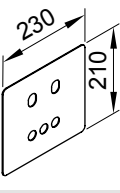
**N.B!**  
Stack to a max. height  
of 200 mm

**758831**



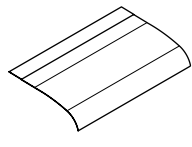
spacer plate  
100 × 150 × 12 mm

**758841**



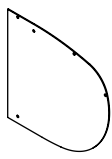
cover plate for spacer  
plate and stand-off  
brackets in the case of  
external insulation  
230 × 210 × 2 mm

**71843.**



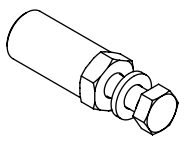
coverboard  
incl. additional profile  
and rubber sealing strip

**72015., 72019., 75970.**



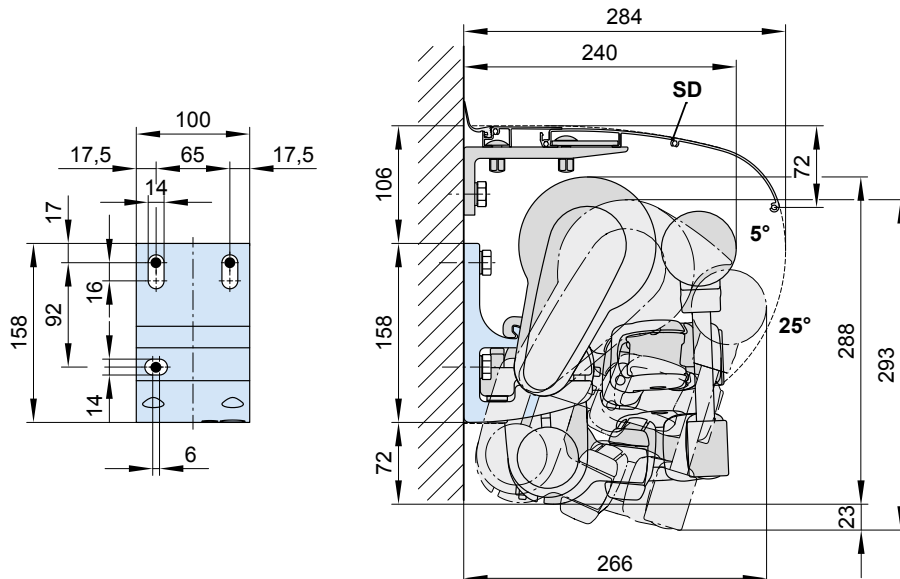
side cover profile  
coverboard  
282 × 263 × 2 mm

**72043.**



reduction bolt  
pack 10 pcs

M 16 → M 12 | M 16 → M 10 | M 12 → M 10 | M 10 → M 10



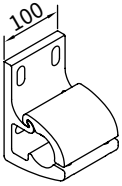
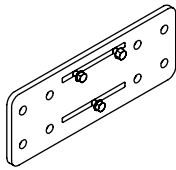
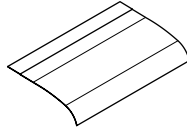
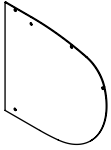
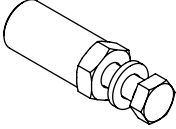
SD = aluminium coverboard

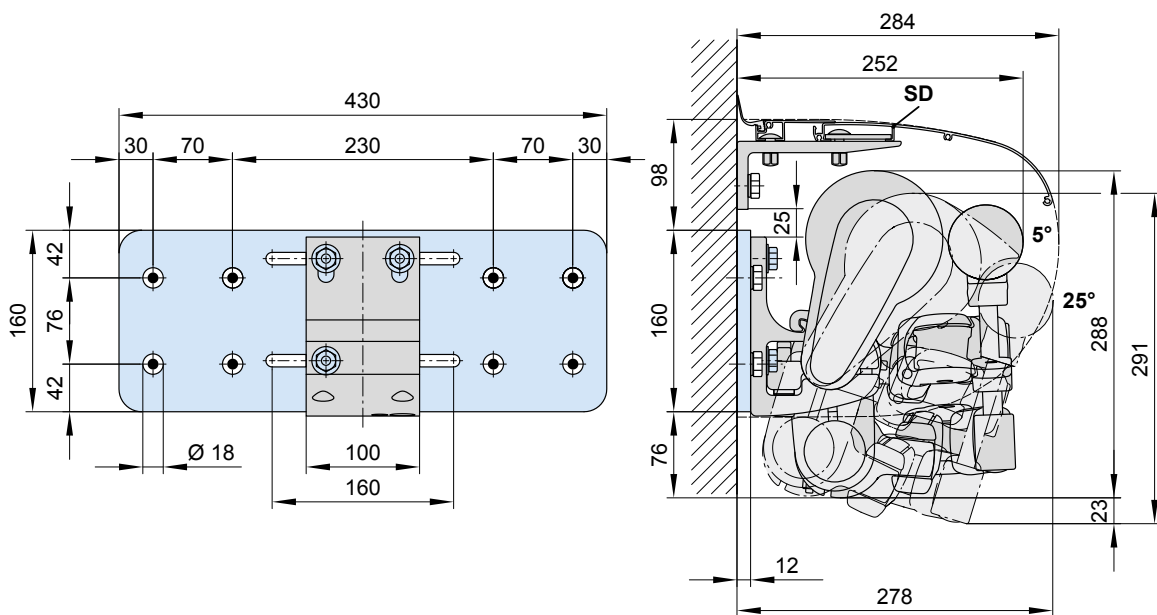
dimensions in mm



# Face fixture with spreader plate A

Fixtures, fittings and accessories

 <p>face fixture bracket 100 mm</p> <p><b>70867.</b></p>	 <p>spreader plate A face fixture 430 × 160 × 12 mm</p> <p><b>75326.</b></p>	 <p>coverboard incl. additional profile and rubber sealing strip</p> <p><b>72015., 72019., 75970.</b></p>
 <p>side cover profile coverboard 282 × 263 × 2 mm</p> <p><b>72043.</b></p>	 <p>reduction bolt pack 10 pcs</p> <p>M 16 → M 12   M 16 → M 10   M 12 → M 10   M 10 → M 10</p>	



SD = aluminium coverboard

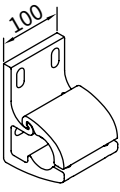
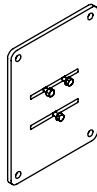
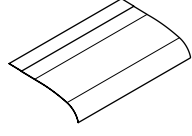
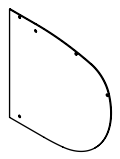
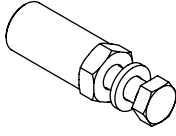
dimensions in mm

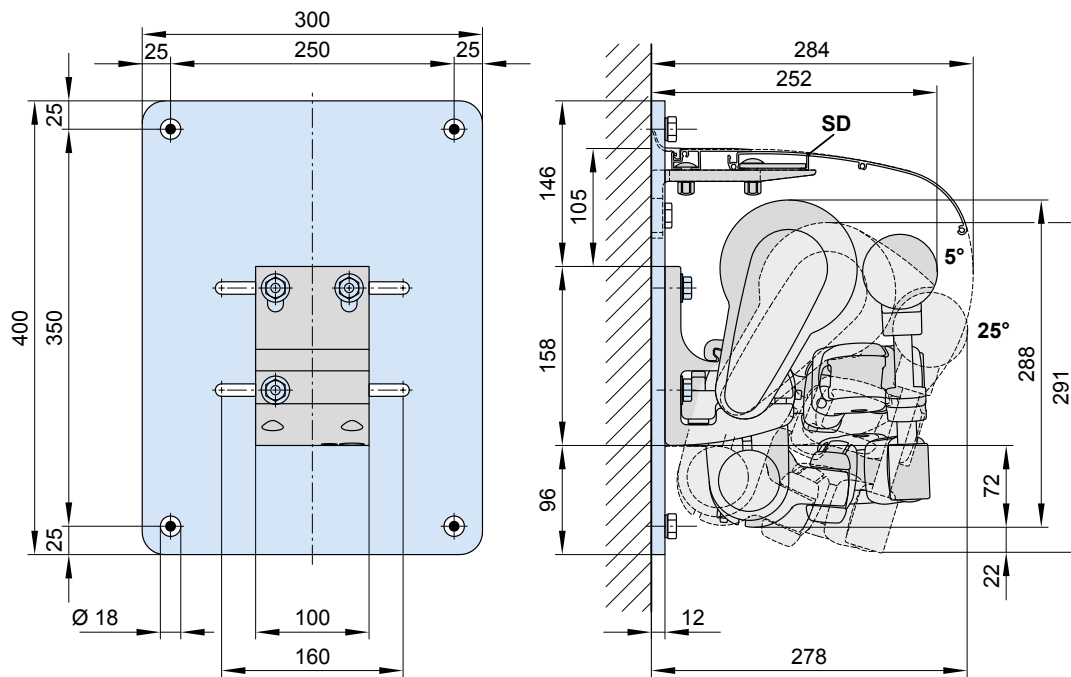
01  
02  
03  
04  
05  
06  
07  
08  
09  
10  
11  
12  
13  
14  
**15**  
16  
17

01  
02  
03  
04  
05  
06  
07  
08  
09  
10  
11  
12  
13  
14  
**15**  
16  
17

## Face fixture with spreader plate B

Fixtures, fittings and accessories

 <p>face fixture bracket 100 mm</p> <p><b>70867.</b></p>	 <p>spreader plate B face fixture 300 × 400 × 12 mm</p> <p><b>75325.</b></p>	 <p>coverboard incl. additional profile and rubber sealing strip</p> <p><b>72015., 72019., 75970.</b></p>
 <p>side cover profile coverboard 282 × 263 × 2 mm</p> <p><b>72043.</b></p>	 <p>reduction bolt pack 10 pcs</p> <p>M 16 → M 12   M 16 → M 10   M 12 → M 10   M 10 → M 10</p>	

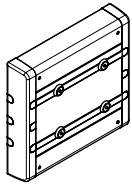


SD = aluminium coverboard

dimensions in mm

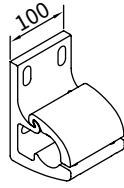
# Face fixture using the markilux panel 250 mm wide

Fixtures, fittings and accessories



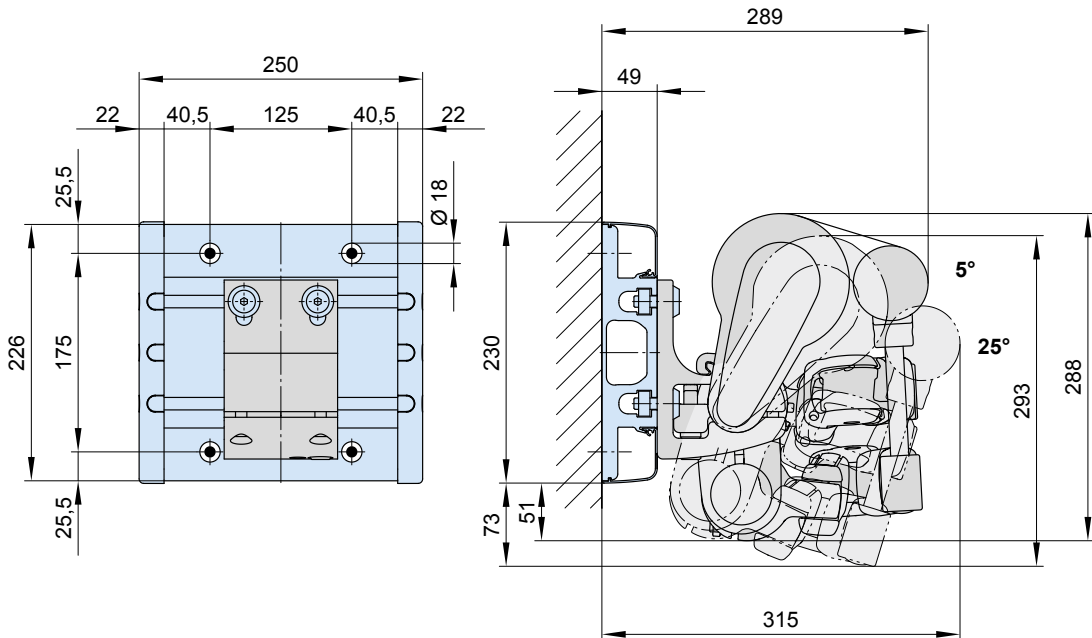
markilux panel  
250 × 230 × 49 mm  
with decorative profiles  
and end caps

76308.



face fixture bracket  
100 mm

70867.

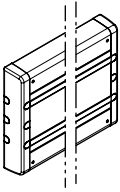


01  
02  
03  
04  
05  
06  
07  
08  
09  
10  
11  
12  
13  
14  
**15**  
16  
17

dimensions in mm

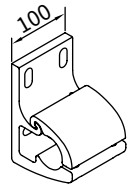
# Face fixture with markilux panel continuous

## Fixtures, fittings and accessories



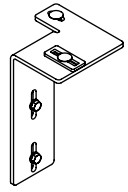
markilux panel continuous  
with decorative profiles and end caps

**701104**



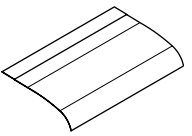
face fixture bracket  
100 mm

**70867.**



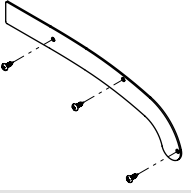
bracket coverboard

**76390.**



coverboard  
incl. additional profile  
and rubber sealing strip

**72015., 72019., 75970.**

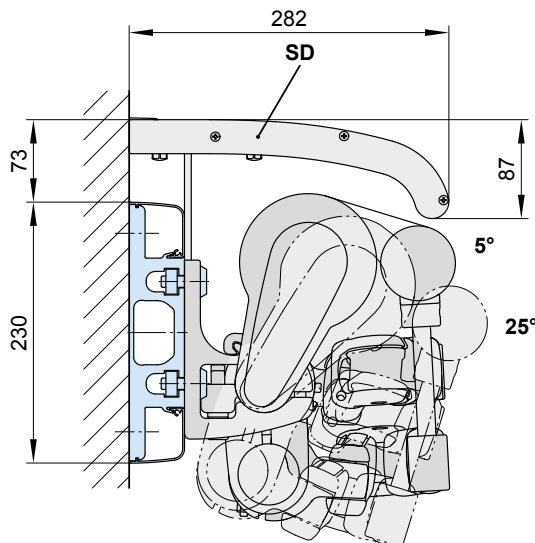
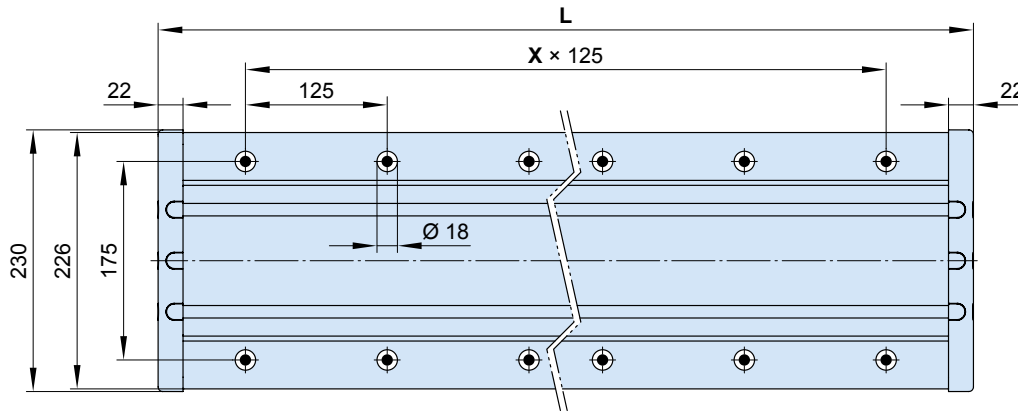


side cover profile  
coverboard  
282 x 87 x 2 mm

Including 3 pan-head  
self-tapping screws for  
wall sealing profile

**76469. and 3 x 735611**

As a **continuous fixture profile** the markilux panel will always be supplied to order on the basis of a technical drawing prepared in the factory in accordance with the awning specification.

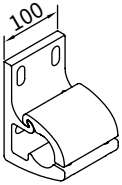


- L** = individual width, max. 7000 mm
- SD** = aluminium coverboard
- x** = fixing point separation, **by way of example**

dimensions in mm

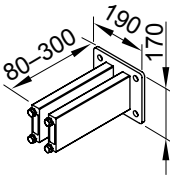
# Face fixture with stand-off bracket

Fixtures, fittings and accessories



face fixture bracket  
100 mm

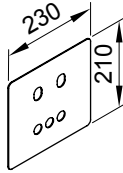
**70867.**



stand-off bracket  
for face fixture  
bracket 70867.

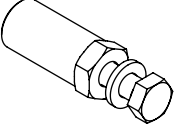
80-300 mm  
incl. insulating element

**77968.**



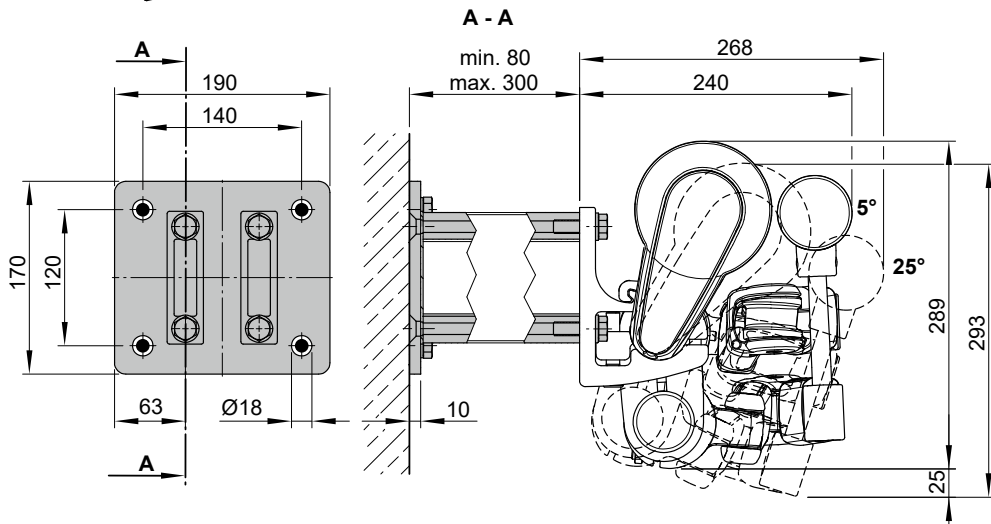
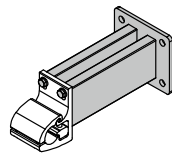
cover plate for spacer  
plate and stand-off  
brackets in the case of  
external insulation  
230 × 210 × 2 mm

**71843.**



reduction bolt  
pack 10 pcs

M 16 → M 12 | M 16 → M 10 | M 12 → M 10 | M 10 → M 10

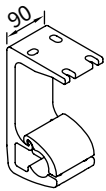


dimensions in mm

01  
02  
03  
04  
05  
06  
07  
08  
09  
10  
11  
12  
13  
14  
**15**  
16  
17

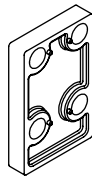
01 **Top fixture**

02 Fixtures, fittings and accessories



top fixture bracket  
90 mm

**70868.**



spacer plate for top  
fixture  
90 × 140 × 20 mm

**N.B!**  
Stack to a max. height  
of 200 mm

**716311**



spacer plate  
for top fixture  
90 × 140 × 12 mm

**716411**

06

07

08

09

10

11

12

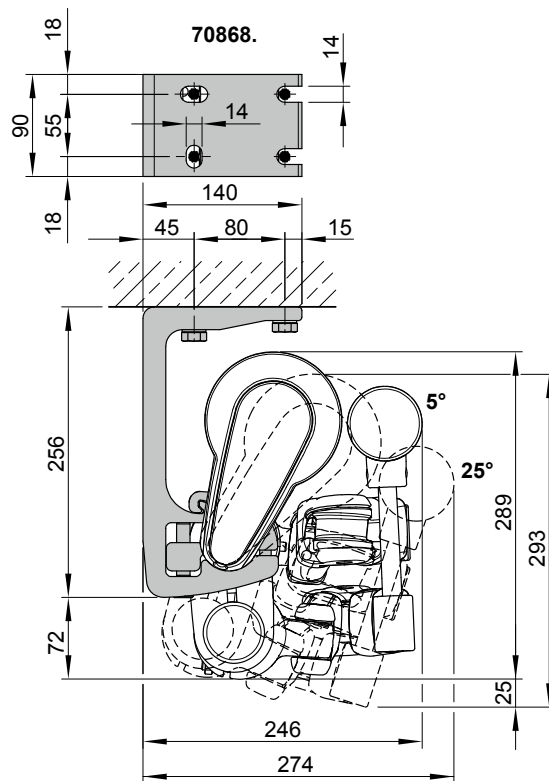
13

14

**15**

16

17

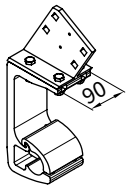


dimensions in mm



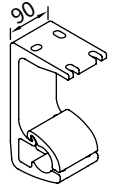
# Eaves fixture

## Fixtures, fittings and accessories



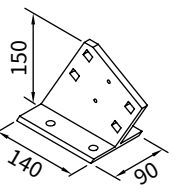
eaves fixture bracket complete  
90 mm  
height of flat plate  
150 mm

**70871.**



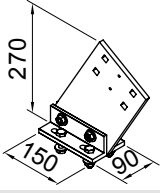
top fixture bracket  
90 mm

**70868.**



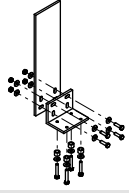
eaves fixture bracket  
90 mm  
height of flat plate  
150 mm

**71612.**



eaves fixture bracket  
90 mm  
height of flat plate  
270 mm

**71659.**

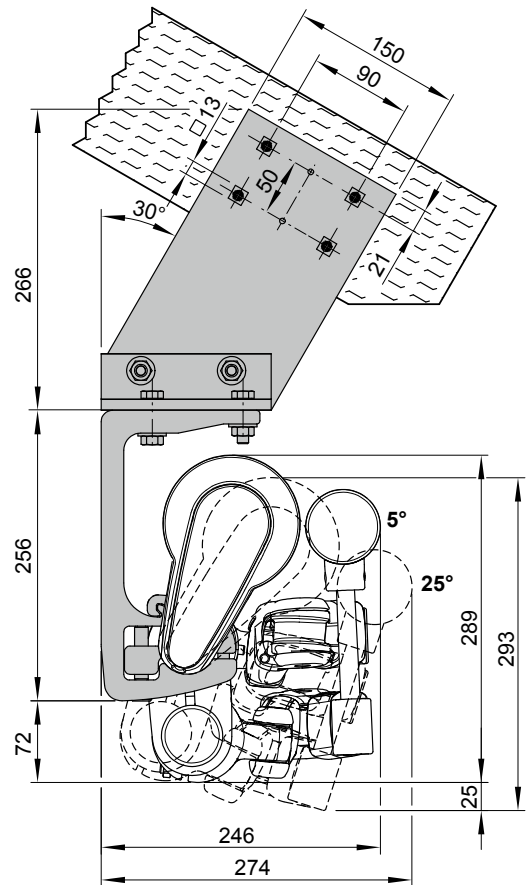
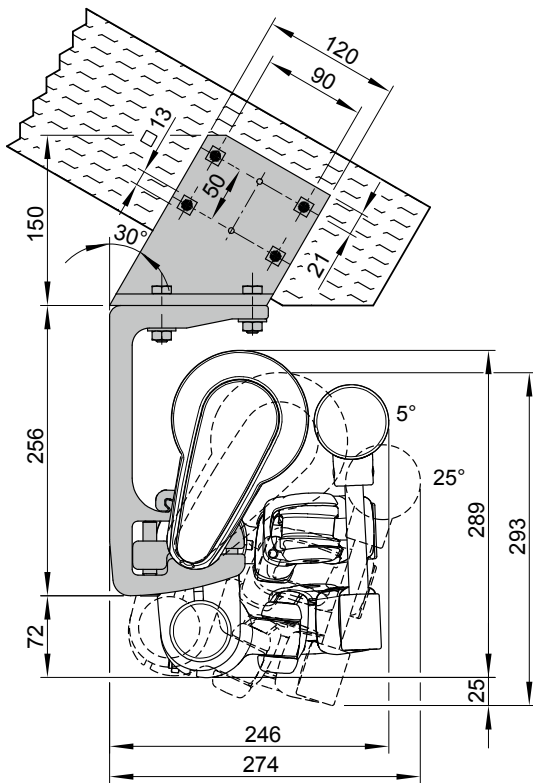


angle and plate for eaves fixture  
height of plate 500 mm  
machine finish

**716620**

With eaves fixture bracket 150 mm (71612.)

With eaves fixture bracket 270 mm (71659.)

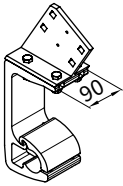


dimensions in mm

01  
02  
03  
04  
05  
06  
07  
08  
09  
10  
11  
12  
13  
14  
**15**  
16  
17

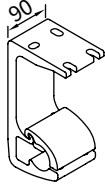
# Eaves fixture with additional plate

Fixtures, fittings and accessories



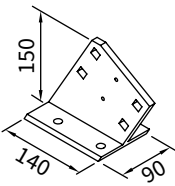
eaves fixture bracket complete  
90 mm  
height of flat plate 150 mm

**70871.**



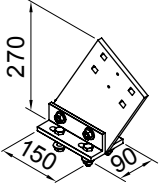
top fixture bracket 90 mm

**70868.**



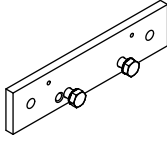
eaves fixture bracket 90 mm  
height of flat plate 150 mm

**71612.**



eaves fixture bracket 90 mm  
height of flat plate 270 mm

**71659.**

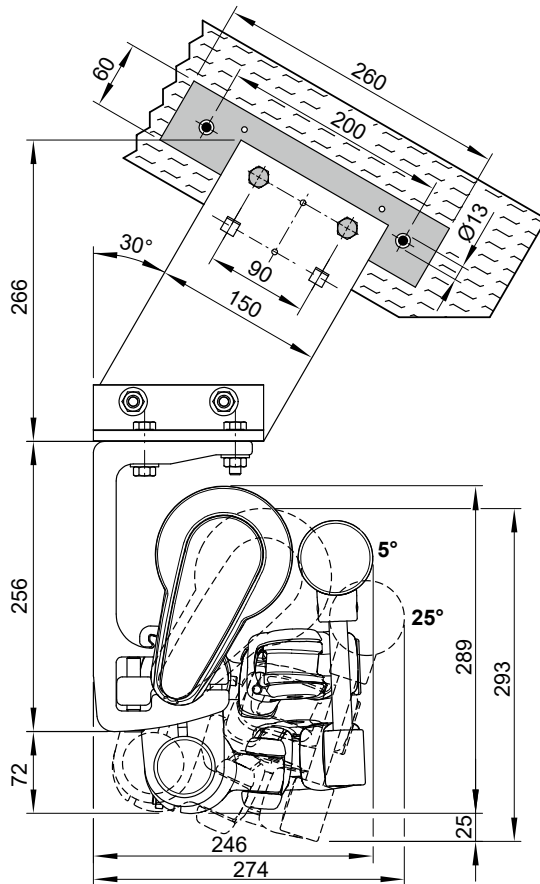
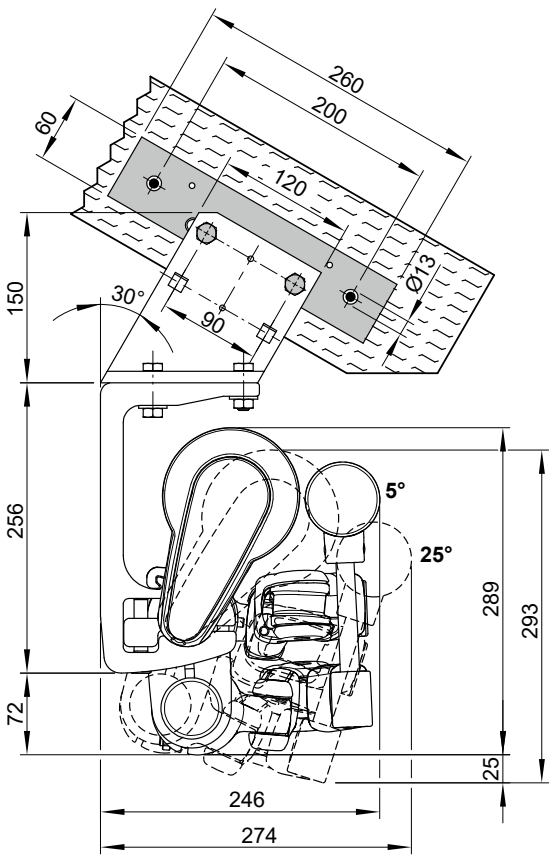


supplementary flat plate for eaves fixture  
260 × 60 × 12 mm

**75383.**

With eaves fixture bracket 150 mm (71612.)

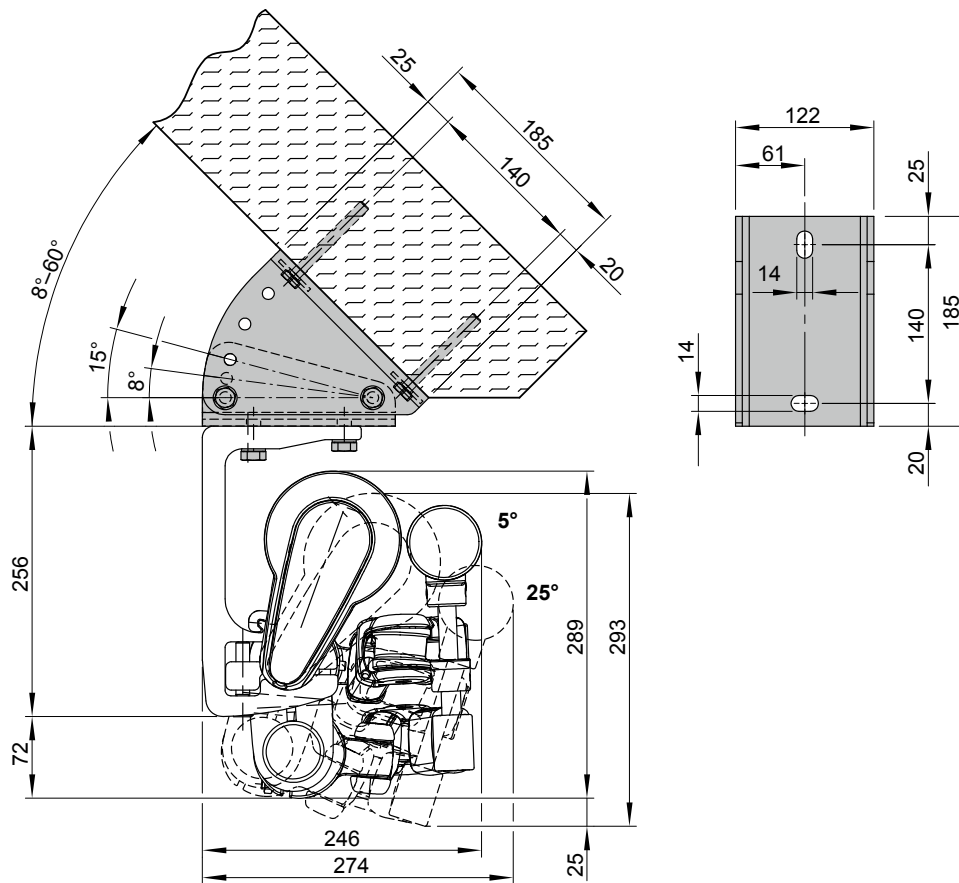
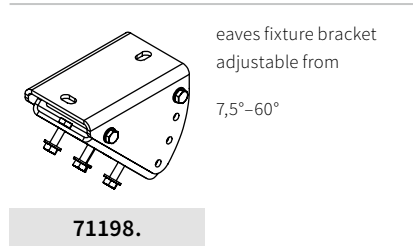
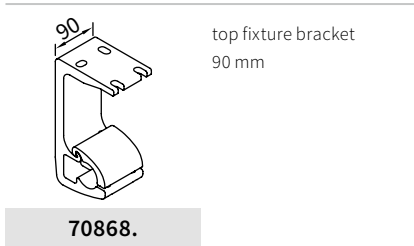
With eaves fixture bracket 270 mm (71659.)



dimensions in mm

# Eaves fixture with adjustable eaves fixture bracket

Fixtures, fittings and accessories

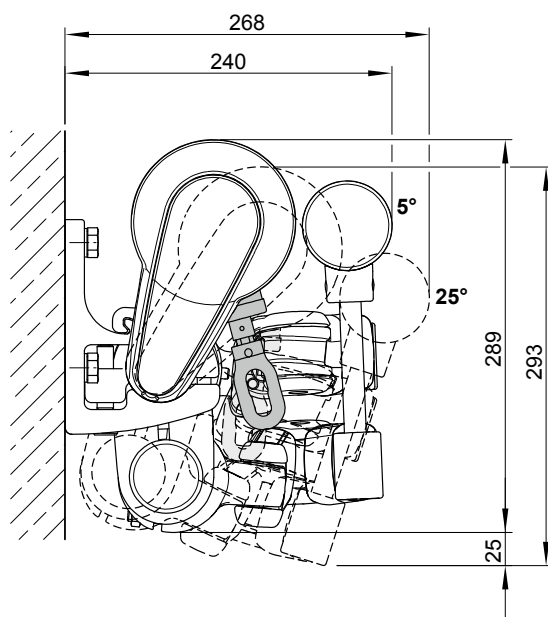


**15**

dimensions in mm

01 **Face fixture, manual operation**

02 Dimensions at pitches between 5°-25°



11

12

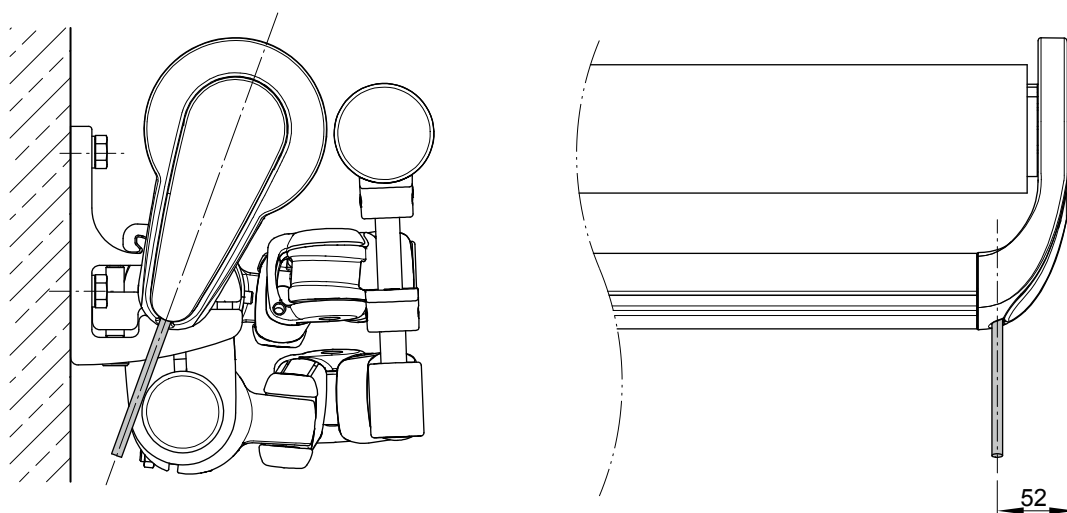
13

14 **Motor cable exit point**

15

16

17



dimensions in mm