



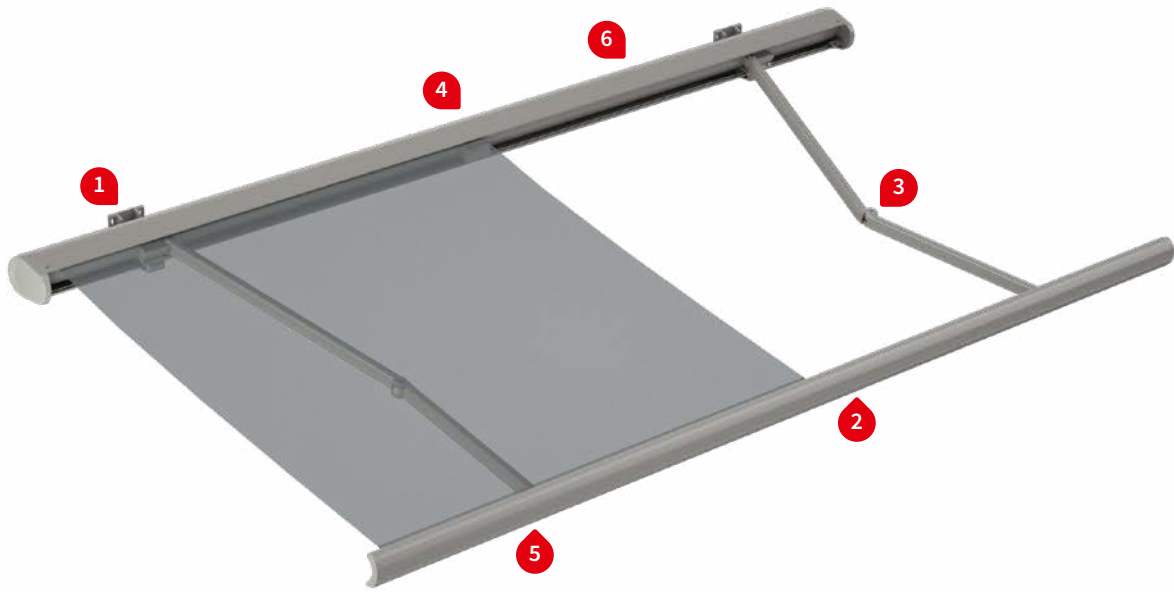
Cassette awning

## **markilux 5010**

The trendy cassette awning – slim, strong and simply chic.

Product Characteristics

Wind resistance class 1 | 2 (depending on size)  
 Beaufort 4 → 20–27 km/h → 5,5–7,4 m/s | Beaufort 5 → 28–37 km/h → 7,5–10,4 m/s



1) face fixture



1) top fixture



2) shadeplus<sup>1)</sup>



2) shadeplus, during extension<sup>1)</sup>



3) twin steel-link chain, corrosion protected



3) bionic tendon made of high-tech fibres for optimum power transference<sup>1)</sup>



4) infrared heater attached to the cassette<sup>1)</sup>



5) arm connection to the front profile, decorative cap in polished chrome



6) wall sealing profile<sup>1)</sup>, front profile end cap in polished chrome



1) Optional accessories

## Product Characteristics

### Description

- ovally shaped cassette awning in a slender design
- extremely robust construction, ideally suited for shading large areas

### Special features

- option of a drop valance up to a projection of 300 cm – vertical protection against low-lying sun and inquisitive glances integrated into the front profile, can be operated manually
- option of a silentec motor – motor noise is appreciably reduced
- the awning frame colour and end cap options can be freely combined (front profile end caps, decorative caps at the elbow joint and for the front profile connectors)

### Dimensions

- cassette in the standard version: depth 218 mm, height 151 mm cassette with drop valance: depth 293 mm, height 151 mm (without brackets) at a projection of 300 cm
- single unit: minimum width 187 cm at the smallest projection of 150 cm, maximum width 700 cm at the largest projection of 400 cm
- also available as a coupled unit

### Roller tube and lateral bearings

- round roller tube Ø 85 mm with keyway, galvanised steel – excellent stability, ensures near perfect cover performance even at the largest widths
- the cassette side caps are made of die-cast aluminium, powder coated

### Awning profiles

- extruded aluminium, in façade quality, powder coated
- cassette in two parts with integrated cover profile – offering optimum protection of the awning cover against the weather
- semi-circular front profile with integrated gutter

### Folding arms

- profiles in extruded aluminium, in façade quality, powder coated
- moving parts made of drop-forged aluminium – the arms are therefore extremely fracture resistant
- pivot bolts in stainless steel run in Teflon-coated bronze bushes – practically maintenance free, virtually silent and extremely hard wearing
- power transference via corrosion-protected twin steel-link chains at the elbow joint, optionally with innovative bionic tendon made of high tensile, high-tech fibres – low in friction, noiseless, insensitive to corrosion and UV resistant

### End caps

- the front profile end caps are made of high-quality plastic, powder coated or with a polished chrome finish, with water drainage holes
- the decorative caps for the arm to front profile connectors are made of high-quality plastic, powder coated or with a polished chrome finish
- the decorative caps at the elbow joint are made of high-quality plastic, in black or white (depending on the awning colour) or with a polished chrome finish

### Fixture brackets

- face fixture, top fixture, eaves fixture, bottom fixture
- extruded aluminium, powder coated
- pitch range 5°–35° or 36°–70°, infinitely adjustable
- spacer plates, stand-off brackets and other accessories are available

01 **Frame and end cap colours**

markilux frame colours without surcharge

02 traffic white, RAL 9016



metallic aluminium, RAL 9006



grey brown, similar to RAL 8019

07 off-white textured finish, 5233 <sup>1)</sup>stone grey metallic, 5215 <sup>1)</sup>anthracite metallic, 5204 <sup>1)</sup>12 havana brown textured finish, 5229 <sup>1)</sup>17 off-white textured finish, 5233 <sup>1)</sup>  
front profile end caps in polished chromestone grey metallic, 5215 <sup>1)</sup>  
front profile end caps in polished chromeanthracite metallic, 5204 <sup>1)</sup>  
front profile end caps in polished chrome

Combination options – possible in any frame colour.

**Non-standard powder-coated finish**






Bespoke frame colours incur a surcharge – matt, metallic, finely textured and pearl finishes as well as other colour ranges (DB, Tiger etc.) on request. All frame colours are available at a surcharge with enhanced corrosion protection.

Colours may differ slightly from those depicted in both hue and finish.

1) textured finish

## Dimensions and configuration options

Single unit

Order dimensions	Awning width										Minimum widths				
	250	300	350	400	450	500	550	600	650	700 <sup>2)</sup>	Motor			Crank handle	
	187 250	251 300	301 350	351 400	401 450	451 500	501 550	551 600	601 650	651 700					
<b>H</b>	150	3)									200	187	—	200	187
	200	3)									250	237	—	250	237
	250	—	3)								300	287	—	300	287
	300	—	—	3)				4)	4)		350	337	—	350	337
	350 <sup>1)</sup>	—	—	—	3)				2) 3)		400	387	644	400	387
	400 <sup>1) 2)</sup>	—	—	—	—	3) 5)	5)	5)	—	—	450	437	694	—	—

Dimensions in cm

1) = drop valance not available


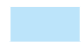




2) = only available with motor drive (surcharge)

3) = please note the minimum widths!

4) = in the case of shadeplus (on request):  
3 folding arms, 4 brackets  
and 2 rolltex bearings (surcharge)

5) = meets wind resistance class 1, all other sizes meet wind resistance class 2

H = projection

 = 2 folding arms  
2 brackets = 2 folding arms  
3 brackets = 2 folding arms, 3 brackets  
1 rolltex bearing = 3 folding arms, 4 brackets  
2 rolltex bearing = 2 standard arms = 2 bespoke arms  
(surcharge) = 3 standard arms

### Operation

	standard	optional
crank handle	✓	—
spring-assisted crank handle	—	✓
hard-wired motor	—	✓
silentec motor (optionally with an external io / RTS receiver) <sup>1)</sup>	—	✓
radio-controlled motor io, 868 MHz	—	✓
radio-controlled motor RTS, 433 MHz	—	✓
868 MHz radio-controlled motor io with manual override <sup>1)</sup>	—	✓

1) For awnings with a maximum of 2 arms

### Coupled awning (motor drive)<sup>1)</sup>

2 fields, 1 motor, maximum width 1390 cm
3 fields, 1 motor, maximum width 1800 cm
maximum projection (depending on the width) 400 cm
junction roller
optionally with a one-piece cover (maximum of 2 fields / projection 350 cm / 15° pitch – without internal cover profile, drop valance not available)

1) N.B! Important background information can be found in the chapter “General Information”, in the section “Coupled Awnings”

Awning cover	fabric pattern no.	standard	optional
sunvas	300.. – 315..	✓	—
sunsilk	324.. / 328.. / 369..	✓	—
sunbow	411.. - 427..	✓	—
smart art	340..	—	✓
perla FR	371.. / 372..	—	✓
valance, height 20 cm		—	✓

### Drop valance<sup>1) 2)</sup>

	standard	optional
height 210 cm		
maximum projection 300 cm <sup>3)</sup>		
crank handle	✓	—
hard-wired motor	—	—
radio-controlled motor io, 868MHz	—	—
radio-controlled motor RTS, 433MHz	—	—
fabric pattern sunvas / sunsilk / sunbow / transolair / vuscreen Alu / Serge 600		

1) In the case of coupled awnings (2 fields) shadeplus is driven with two separate gear boxes / motor (outside left and right)

2) Only available in plain seamless fabrics (oversized, fabric width &gt; 120 cm) or in plains with a horizontal joint (fabric width 120 cm).

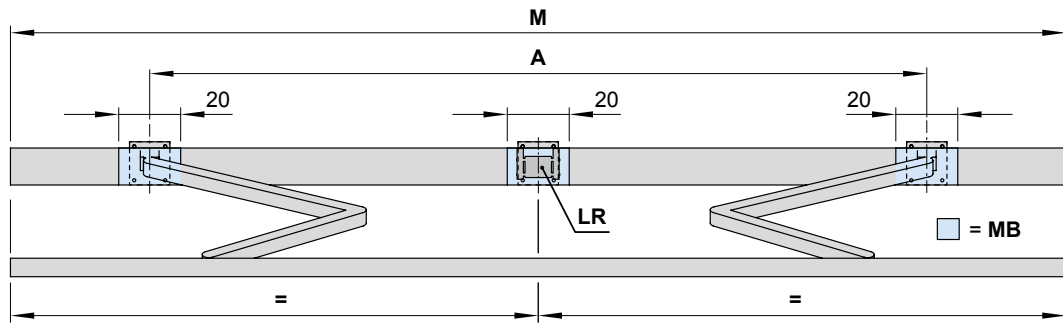
3) Dimensions (581–650) × 300 cm on request

01	<b>Optional accessories</b>
	shadeplus, manual
02	folding-arm technology with bionic tendon
	valance
03	wall sealing profile, up to a pitch of 65°
	infrared heater 2500 W
04	infrared heater 2500 W with integrated radio-controlled receiver 868 MHz io
05	LED-spotline – light bar 110 × 70 mm with 5 W LED-spotlights, 180 cm / 3 spots or 300 cm / 5 spots
06	LED spotline io – light bar 110 × 70 mm with 5 W LED spotlights with integrated dimmable radio-controlled receiver, width 180 cm / 3 spots or 300 cm / 5 spots
<b>07</b>	automatic controls (light, wind, rain)
08	N.B. Important background information can be found in the chapter “Optional Accessories”

<b>Fixture options</b>	
face fixture brackets 150 mm, 5°–35°	77921.
face fixture brackets 150 mm, 38°–65°	77936.
fixture plate A 430 × 160 × 12 mm	75328.
fixture plate B 300 × 400 × 12 mm	75327.
stand-off bracket 80–300 mm	77969.
markilux panel 250 × 230 × 49 mm	76308.
markilux panel continuous	701104
top fixture bracket 135 mm, 5°–35°	77937.
top fixture bracket 150 mm, 38°–65°	77938.
eaves fixture bracket 150 mm, 5°–35°, flat plate 150 mm	77939.
eaves fixture bracket 150 mm, 5°–35°, flat plate 270 mm	77940.
flat plate and angled bracket for eaves fixture, machine finish aluminium, 500 mm	741290
spreader plate for eaves fixture bracket 260 × 60 × 12 mm	75383.
bottom fixture 150 mm, 5°–35°	77941.

# Bracket fixture range

Awning with 2 folding arms



dimensions in cm

		Awning width								
		250	300	350	400	450	500	550	600	650
Order dimensions		187	251	301	351	401	451	501	551	601
		250	300	350	400	450	500	550	600	650
		Arm position A								
H	150	172 <sup>1)</sup>	220	270	300	340	380	440	490	510
	200	222 <sup>2)</sup>	223 <sup>1)</sup>	270	300	340	380	440	490	510
	250	—	272 <sup>2)</sup>	273 <sup>1)</sup>	300	340	390	440	490	510
	300	—	—	322 <sup>2)</sup>	323 <sup>1)</sup>	340	390	440	490	510
	350	—	—	—	372 <sup>2)</sup>	373 <sup>1)</sup>	390	440	490	—
	400	—	—	—	—	422 <sup>2)</sup>	423 <sup>1)</sup>	440	—	—
		No. of brackets   No. of fixing points								
W	BHT 15	2   8				3   12				
BP		A 2   16 B 2   8				A 2   16 B 2   8				
DP		—				1   4				
PA		2   8				3   12				
DA / DE	13,5	2   8 2   6				3   12 3   9				

dimensions in cm

1)= coupled awnings are available in intermediate widths with a junction roller on request

2)= please note the minimum widths! Dimension **A** is only valid for standard arms! In the case of bespoke arms: **A** minus 13 cm. coupled units are not available with a junction roller

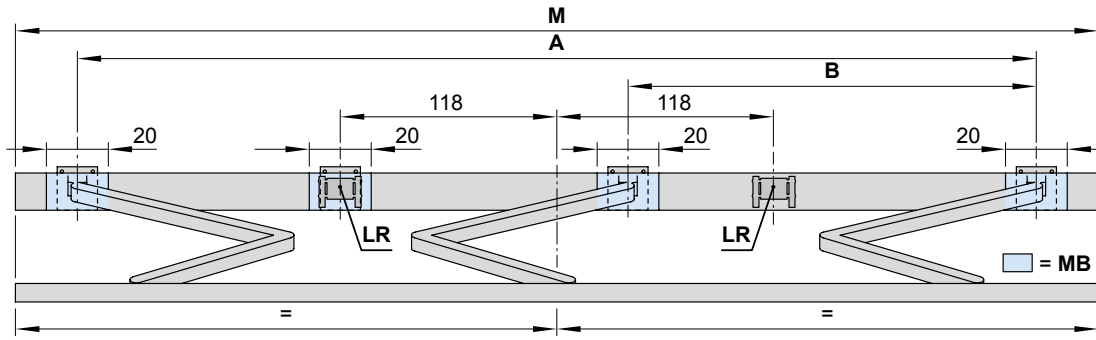
If the brackets cannot be positioned in accordance with this table, make sure the actual dimensions are noted on the order form!

The **pull-out forces** necessary for determining the correct fixing materials necessary to meet wind resistance class 2 (Beaufort 5) can be found in the password-protected dealer area of the [pro.markilux.com](http://pro.markilux.com) website under "Pull-out Forces".

- A** = arm position
- BHT** = bracket width
- BP** = spreader plate **A** or **B**, to be positioned behind the folding arm
- DA** = eaves fixture brackets
- DE** = top fixture brackets
- DP** = spacer plate 71644., to be positioned behind the rolltex bearing, in the case of spreader plate **A** or **B**
- H** = **order dimension** = projection
- LR** = rolltex bearing
- M** = **order dimension** = awning width
- MB** = bracket fixture range
- PA** = markilux panel, fixture profile, width 250 mm
- W** = face fixture brackets

# Bracket fixture range

Awning with 3 folding arms



dimensions in cm

07

08

09

10

11

12

13

14

15

16

17

		Awning width										
		650					700					
Order dimensions		601	651	675	651	694	651	700	693	700		
		650	674	700	693	700						
		Arm position										
		A	B	A	B	A	B	A	B	A	B	
H	150	—	—	570	265	590	265	—	—	—	—	
	200	—	—	570	240	590	240	—	—	—	—	
	250	—	—	570	230	590	230	—	—	—	—	
	300	566 <sup>2)</sup>	230 <sup>2)</sup>	570	230	590	230	—	—	—	—	
	350	616 <sup>1)</sup>	225 <sup>1)</sup>	—	—	—	—	616 <sup>1)</sup>	225 <sup>1)</sup>	622	230	
	400	—	—	—	—	—	—	—	—	666 <sup>1)</sup>	230 <sup>1)</sup>	
BHT		No. of brackets   No. of fixing points										
W	15	4   16										
BP		A 3   24 B 3   12										
DP		1   4										
PA		4   16										
DA / DE	13,5	4   16 4   12										

dimensions in cm

If the brackets cannot be positioned in accordance with this table, make sure the actual dimensions are noted on the order form!

1) = please note the minimum widths! Dimension **A** is only valid for standard arms! In the case of bespoke arms: **A** minus 13 cm, coupled units are not available with a junction roller

2) = awning only available with 3 olding arms if equipped with shadeplus / drop valance – available on request

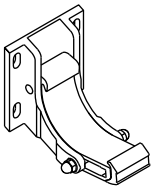
The **pull-out forces** necessary for determining the correct fixing materials necessary to meet wind resistance class 2 (Beaufort 5) can be found in the password-protected dealer area of the [pro.markilux.com](http://pro.markilux.com) website under "Pull-out Forces".

- A** = arm position
- BHT** = bracket width
- BP** = spreader plate **A** or **B**, to be positioned behind the folding arm
- DE** = top fixture brackets
- DA** = eaves fixture brackets
- DP** = spacer plate 71644., to be positioned behind the rolltex bearing, in the case of spreader plate **A** or **B**
- H** = **order dimension** = projection
- LR** = rolltex bearing
- M** = **order dimension** = awning width
- MB** = bracket fixture range
- PA** = markilux panel, fixture profile, width 250 mm
- W** = face fixture brackets



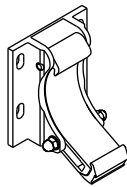
# Face fixture

## Fixtures, fittings and accessories



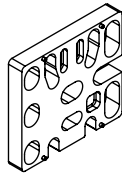
face fixture bracket  
150 mm  
5°-35°

**77921.**



face fixture bracket  
150 mm  
38°-65°

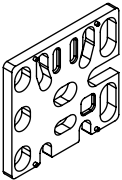
**77936.**



spacer plate  
for face/top fixture  
150 × 136 × 20 mm

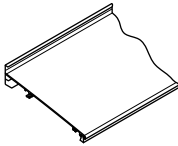
**N.B!**  
stack to a max. height of  
200 mm

**716331**



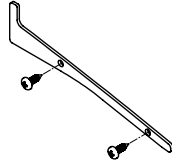
spacer plate for face  
fixture  
150 × 136 × 12 mm

**71644.**



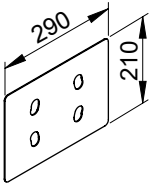
wall sealing profile  
incl. brush seal  
by the metre

**76385. and 704241.**



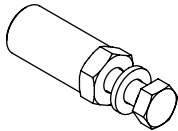
side plate  
for wall sealing profile  
including 2 pan-head  
self-tapping screws

**76386. and 2 × 735611**



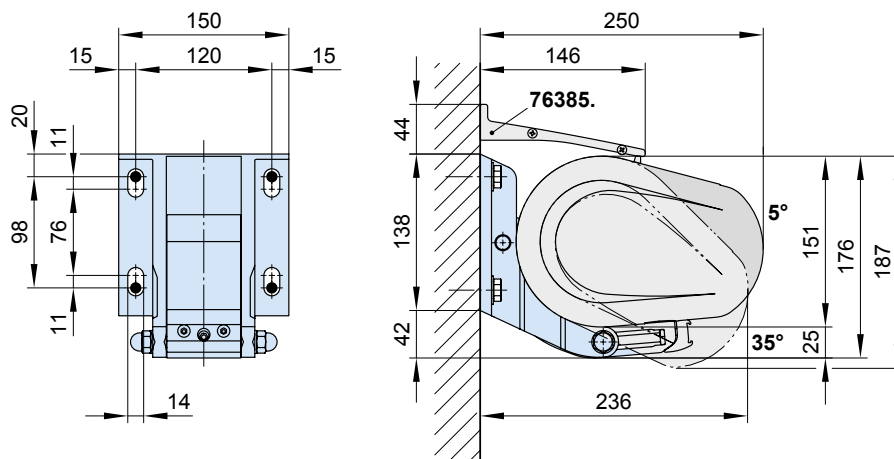
cover plate for spacer  
plate and stand-off  
brackets in the case of  
external insulation  
290 × 210 × 2 mm

**71841.**



reduction bolt  
pack 10 pcs

M 16 → M 12 | M 16 → M 10 | M 12 → M 10 | M 10 → M 10



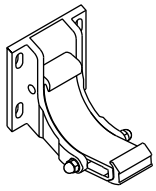
**76385.** = wall sealing profile (standard width = awning width (M); up to a maximum awning pitch of 65°)

dimensions in mm

01  
02  
03  
04  
05  
06  
**07**  
08  
09  
10  
11  
12  
13  
14  
15  
16  
17

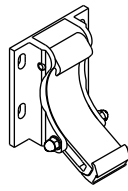
# Face fixture with spreader plate A

## Fixtures, fittings and accessories



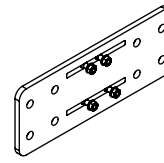
face fixture bracket  
150 mm  
5°-35°

**77921.**



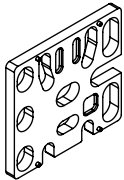
face fixture bracket  
150 mm  
38°-65°

**77936.**



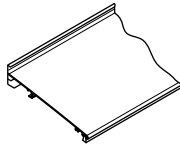
spreader plate A  
430 × 160 × 12 mm

**75328.**



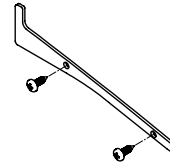
spacer plate for face  
fixture  
150 × 136 × 12 mm

**71644.**



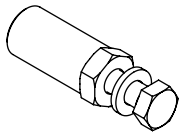
wall sealing profile  
incl. brush seal  
by the metre

**76385. and 704241.**



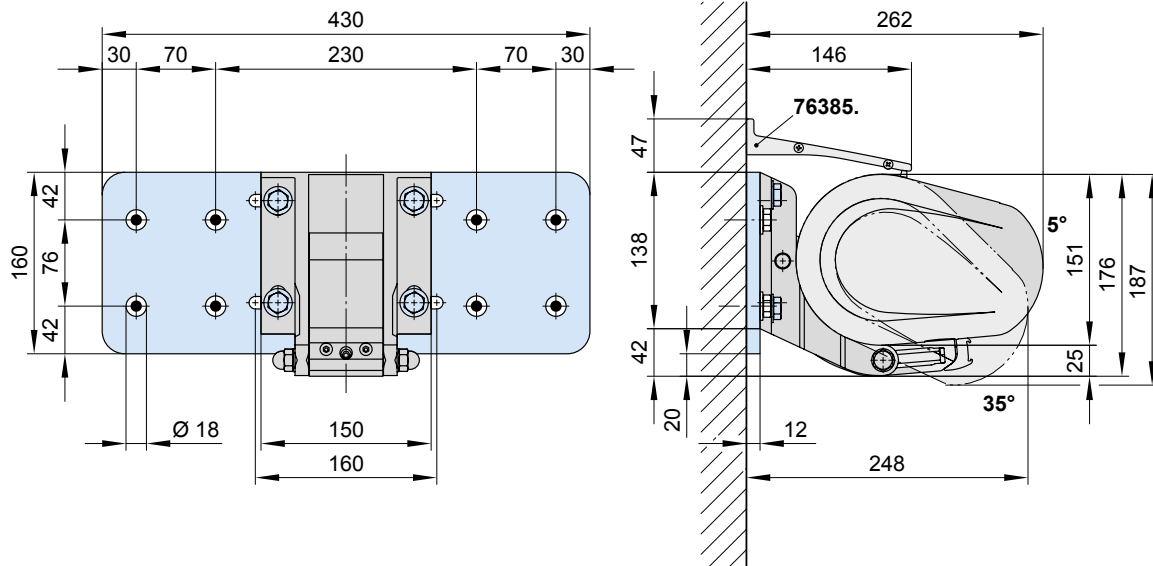
side plate  
for wall sealing profile  
including 2 pan-head  
self-tapping screws

**76386. and 2 × 735611**



reduction bolt  
pack 10 pcs

M 16 → M 12 | M 16 → M 10 | M 12 → M 10 | M 10 → M 10

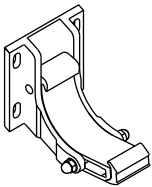
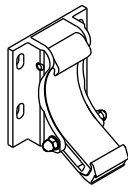
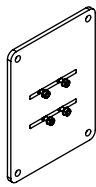
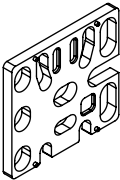
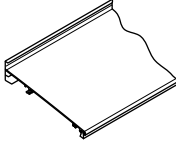
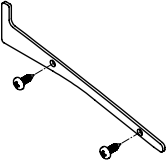
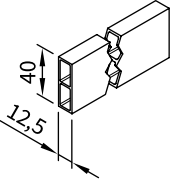
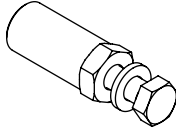


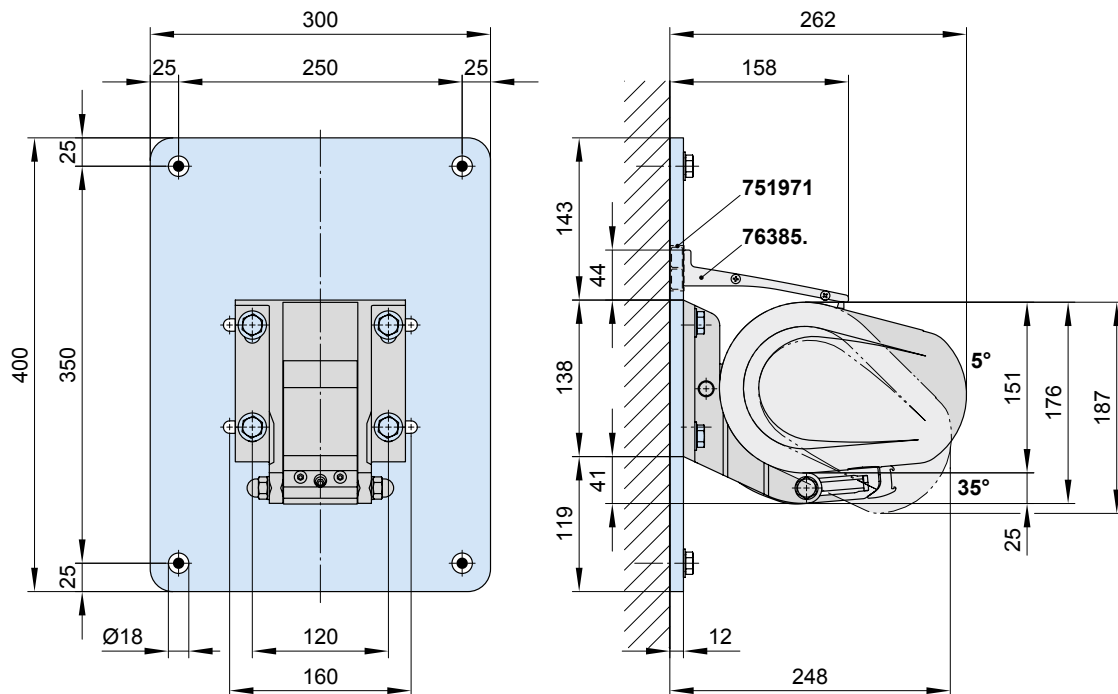
**76385.** = wall sealing profile (standard width = awning width (M); up to a maximum awning pitch of 65°)

dimensions in mm

# Face fixture with spreader plate B

Fixtures, fittings and accessories

 <p>face fixture bracket 150 mm 5°-35°</p> <p><b>77921.</b></p>	 <p>face fixture bracket 150 mm 38°-65°</p> <p><b>77936.</b></p>	 <p>spreader plate B 300 x 400 x 12 mm</p> <p><b>75327.</b></p>
 <p>spacer plate for face fixture 150 x 136 x 12 mm</p> <p><b>71644.</b></p>	 <p>wall sealing profile incl. brush seal by the metre</p> <p><b>76385. and 704241.</b></p>	 <p>side plate for wall sealing profile including 2 pan-head self-tapping screws</p> <p><b>76386. and 2 x 735611</b></p>
 <p>stand-off strip for wall sealing by the metre</p> <p><b>751971</b></p>	 <p>reduction bolt pack 10 pcs</p> <p>M 16 → M 12   M 16 → M 10   M 12 → M 10   M 10 → M 10</p>	



**751971** = stand-off strip for wall sealing profile

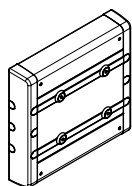
**76385.** = wall sealing profile (standard width = awning width (M); up to a maximum awning pitch of 65°)

dimensions in mm

01  
02  
03  
04  
05  
06  
**07**  
08  
09  
10  
11  
12  
13  
14  
15  
16  
17

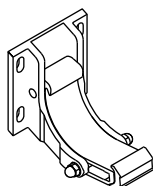
# Face fixture using the markilux panel 250 mm wide

## Fixtures, fittings and accessories



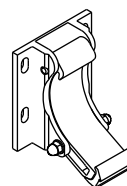
markilux panel  
250 × 230 × 49 mm  
with decorative profiles  
and end caps

76308.



face fixture bracket  
150 mm  
5°-35°

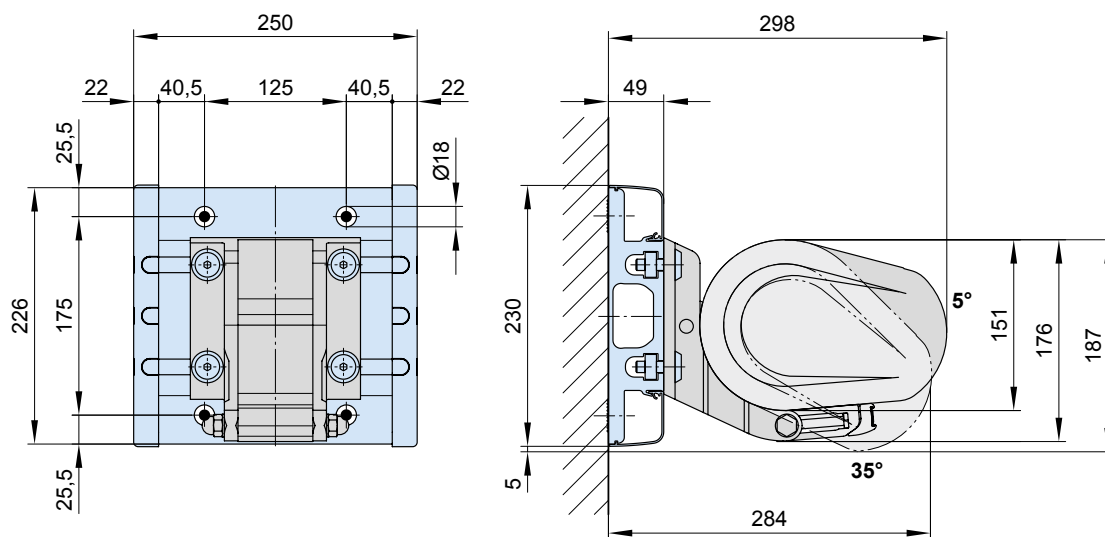
77921.



face fixture bracket  
150 mm  
38°-65°

77936.

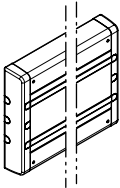
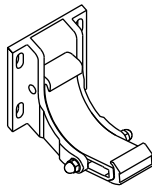
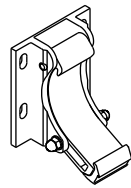
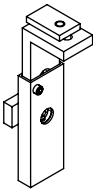
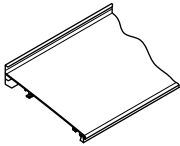
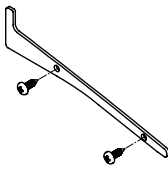
### 07



dimensions in mm

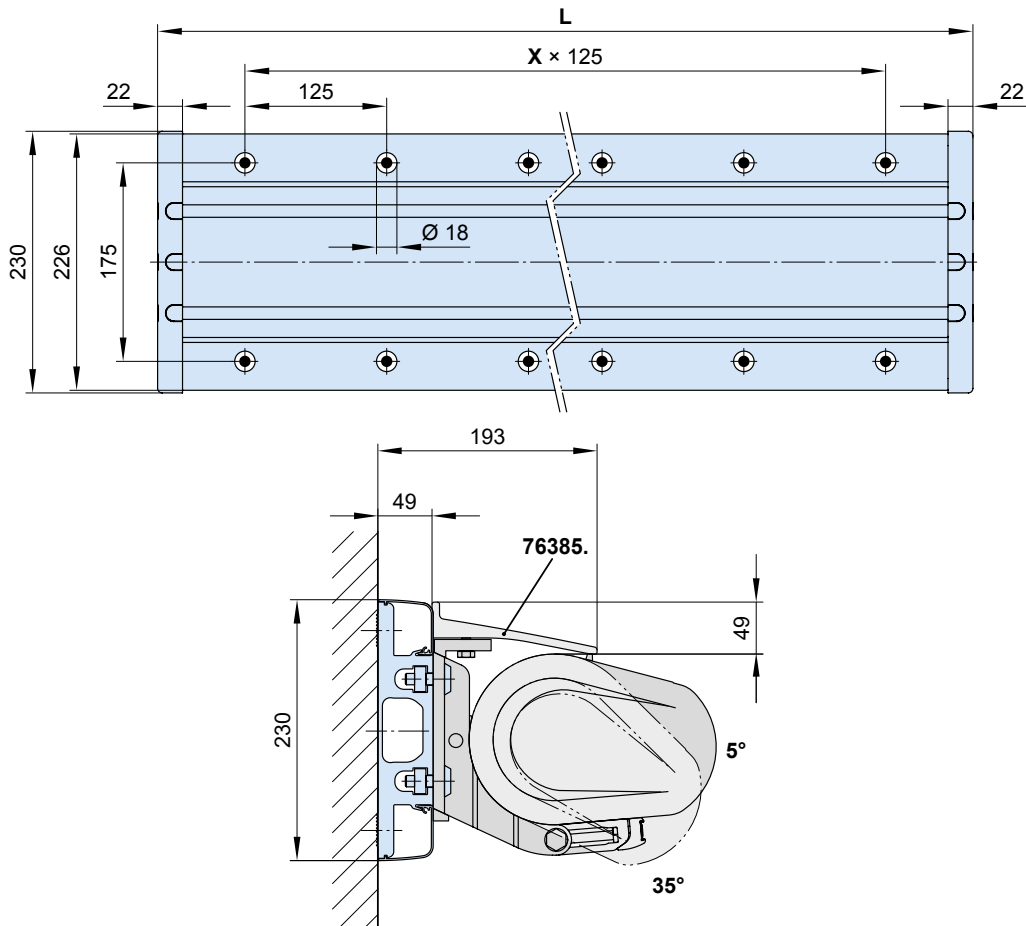
# Face fixture with markilux panel continuous

## Fixtures, fittings and accessories

 <p>markilux panel continuous with decorative profiles and end caps</p> <p><b>701104</b></p>	 <p>face fixture bracket 150 mm 5°-35°</p> <p><b>77921.</b></p>	 <p>face fixture bracket 150 mm 38°-65°</p> <p><b>77936.</b></p>
 <p>bracket wall sealing profile small</p> <p><b>76468.</b></p>	 <p>wall sealing profile incl. brush seal by the metre</p> <p><b>76385. and 704241.</b></p>	 <p>side plate for wall sealing profile including 2 pan-head self-tapping screws</p> <p><b>76386. and 2 × 735611</b></p>

As a **continuous fixture profile**, the markilux panel will always be supplied to order on the basis of a technical drawing prepared in the factory in accordance with the awning specification.

The technical drawing shows the fixture points and pull-out forces and must be approved in writing.

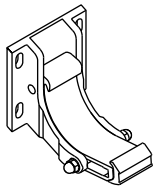


- 76385.** = wall sealing profile (standard width = awning width (M); up to a maximum awning pitch of 65°)
- L** = individual width, max. 7000 mm (standard L = M)
- X** = number of distances between the spots by way of example

dimensions in mm

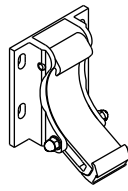
01 **Face fixture with stand-off bracket**

02 Fixtures, fittings and accessories



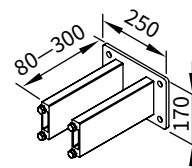
face fixture bracket  
150 mm  
5°-35°

03 **77921.**



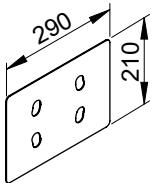
face fixture bracket  
150 mm  
38°-65°

04 **77936.**



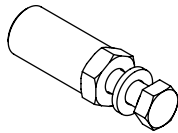
stand-off bracket  
for face-fixture bracket  
77921. und 77936.  
80-300 mm  
incl. insulating element

05 **77969.**



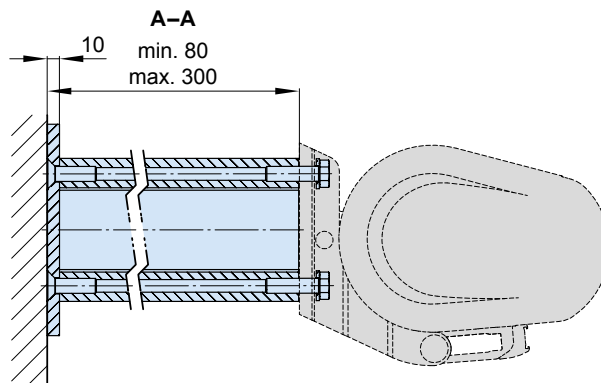
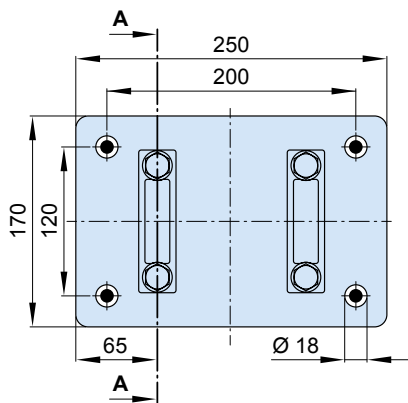
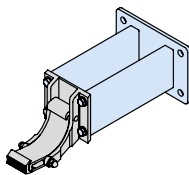
cover plate for spacer  
plate and stand-off  
brackets in the case of  
external insulation  
290 x 210 x 2 mm

06 **71841.**



reduction bolt  
pack 10 pcs

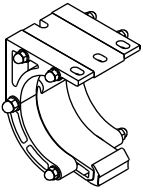
07 M 16 → M 12 | M 16 → M 10 | M 12 → M 10 | M 10 → M 10



dimensions in mm

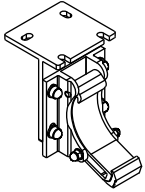
# Top fixture

## Fixtures, fittings and accessories



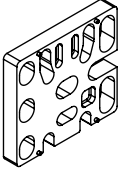
top fixture bracket  
135 mm  
5°-35°

**77937.**



top fixture bracket  
150 mm  
38°-65°

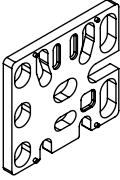
**77938.**



spacer plate  
for face/top fixture  
150 × 136 × 20 mm

**N.B!**  
stack to a max. height of  
200 mm

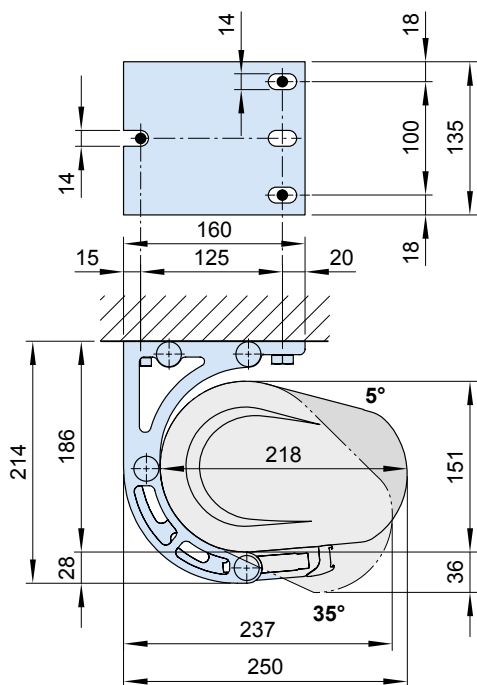
**716331**



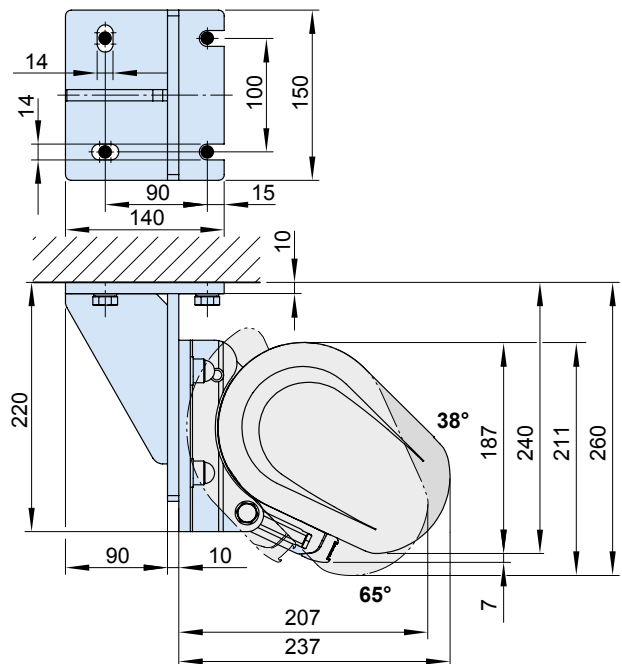
spacer plate for face  
fixture  
150 × 136 × 12 mm

**71644.**

With top fixture bracket 135 mm 5°-35° (77937.)



With top fixture bracket 150 mm 38°-65° (77938.)

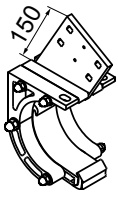


dimensions in mm

01  
02  
03  
04  
05  
06  
**07**  
08  
09  
10  
11  
12  
13  
14  
15  
16  
17

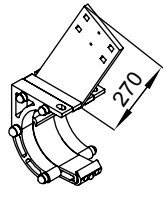
# Eaves fixture

## Fixtures, fittings and accessories



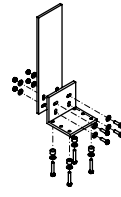
eaves fixture bracket  
150 mm, 5°-35°  
height of flat plate  
150 mm

77939.



eaves fixture bracket  
270 mm, 5°-35°  
height of flat plate  
270 mm

77940.



angle and plate for  
eaves fixture  
machine finish  
height of flat plate  
500 mm

741290

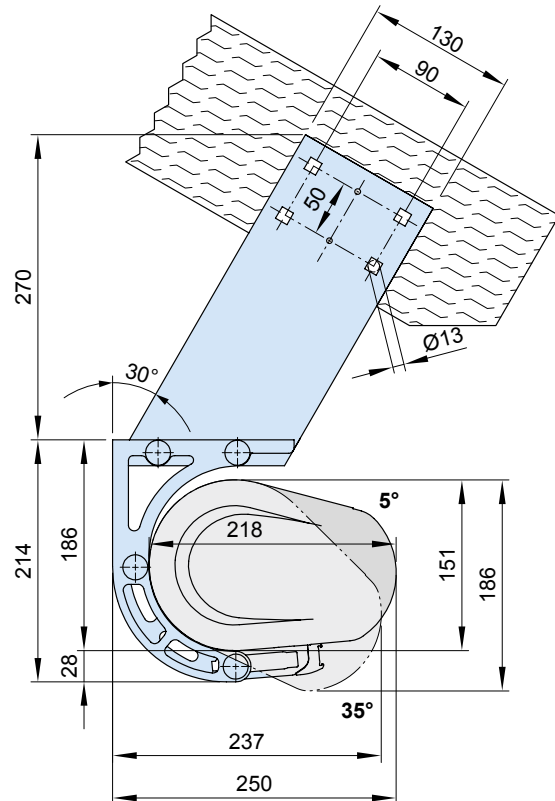
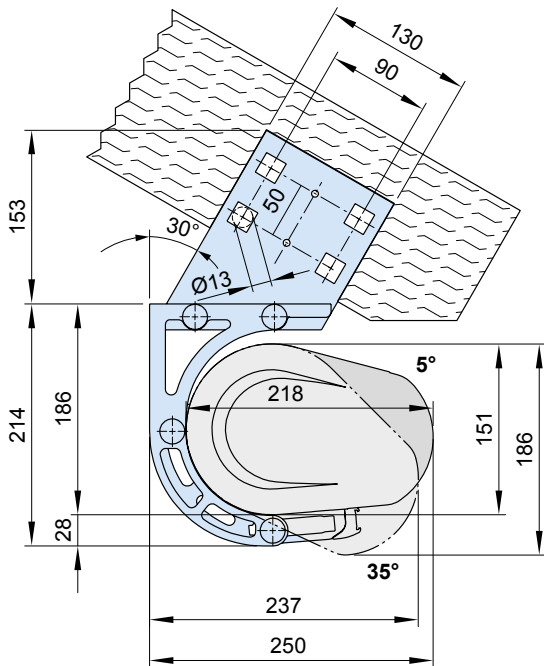
01  
02  
03  
04  
05  
06

07

08  
09  
10  
11  
12  
13  
14  
15  
16  
17

With eaves fixture bracket 150 mm (77939.)

With eaves fixture bracket 270 mm (77940.)

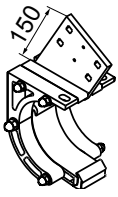


dimensions in mm



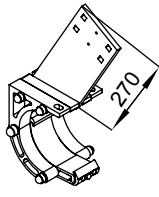
# Eaves fixture with additional plate

Fixtures, fittings and accessories



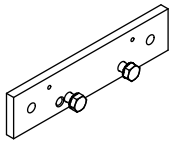
eaves fixture bracket  
150 mm, 5°-35°  
  
height of flat plate  
150 mm

**77939.**



eaves fixture bracket  
150 mm, 5°-35°  
  
height of flat plate  
270 mm

**77940.**



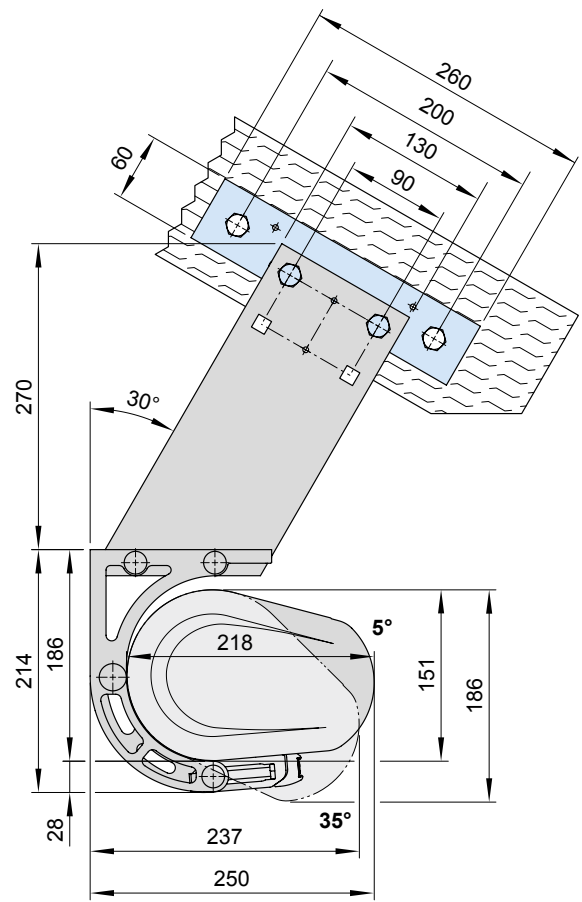
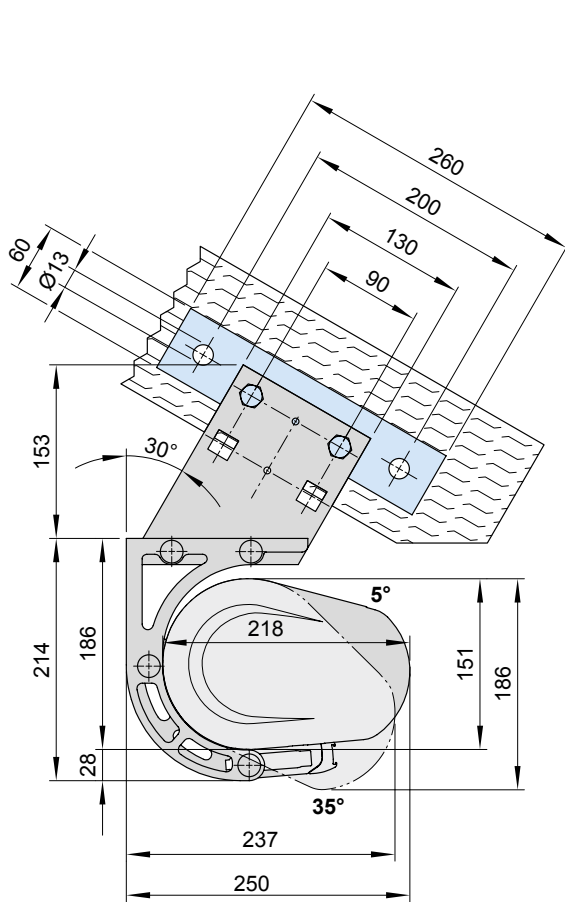
supplementary flat plate  
for eaves fixture  
  
260 × 60 × 12 mm

**75383.**

01  
02  
03  
04  
05  
06  
**07**  
08  
09  
10  
11  
12  
13  
14  
15  
16  
17

With eaves fixture bracket 150 mm (77939.)

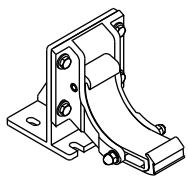
With eaves fixture bracket 270 mm (77940.)



dimensions in mm

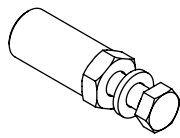
01 **Bottom fixture**

02 Fixtures, fittings and accessories



bottom fixture  
150 mm, 5°-35°

03 **77941.**

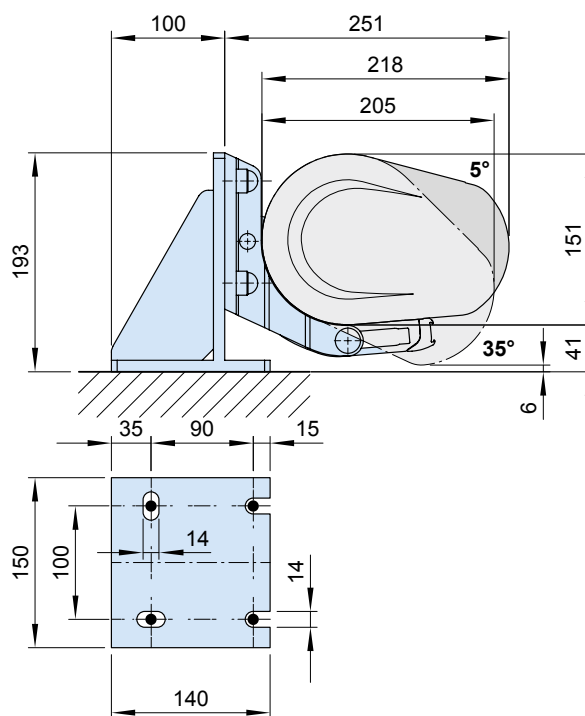


reduction bolt

pack 10 pcs

M 16 → M 12 | M 16 → M 10 | M 12 → M 10 | M 10 → M 10

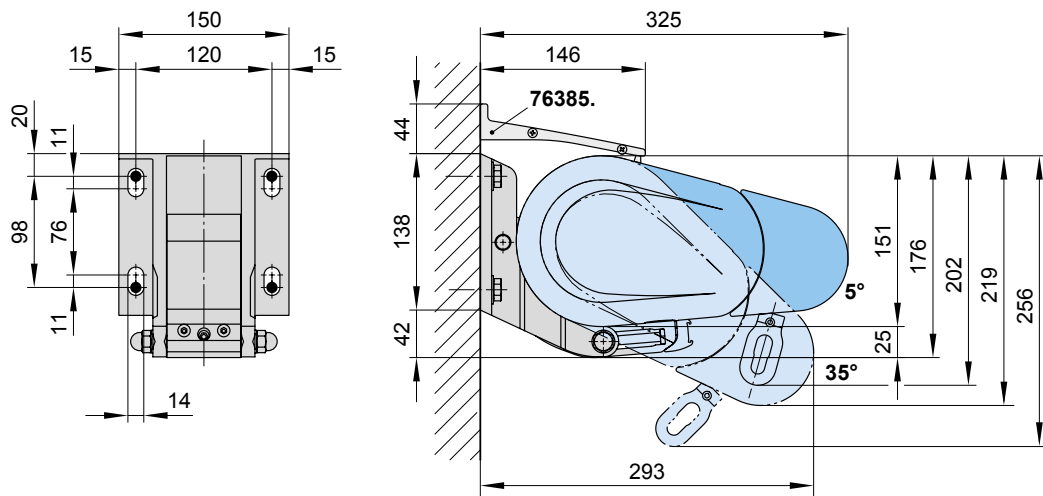
07



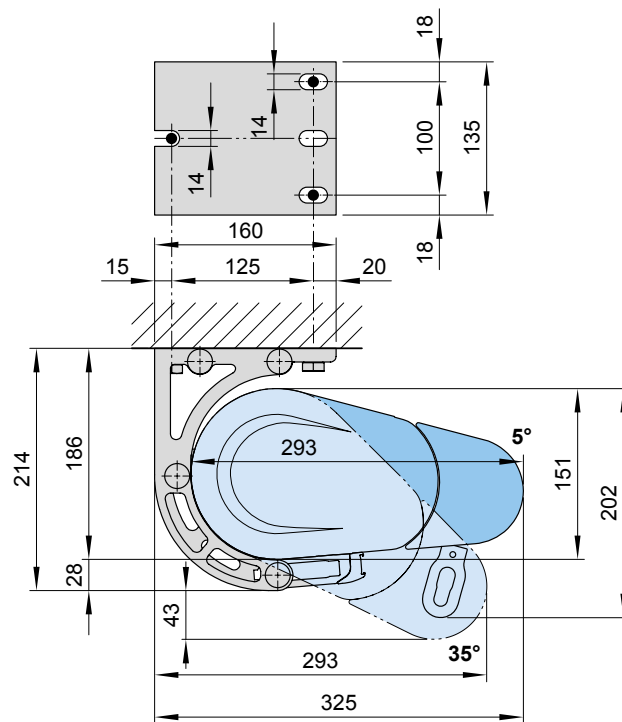
dimensions in mm

# Awning with shadeplus

Face fixture



Top fixture



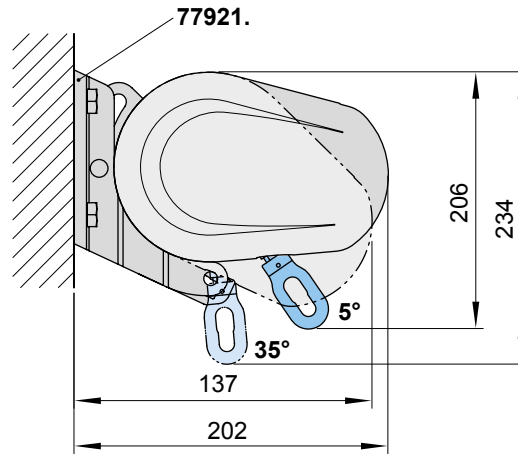
76385. = wall sealing profile (standard width = awning width (M); up to a maximum awning pitch of 65°)

dimensions in mm

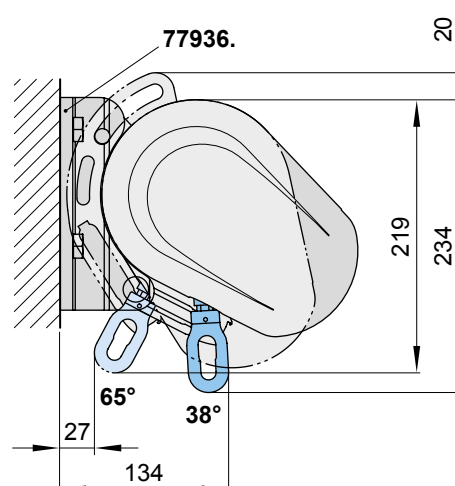
01  
02  
03  
04  
05  
06  
**07**  
08  
09  
10  
11  
12  
13  
14  
15  
16  
17

01 **Face fixture, manual operation, Gearbox eye positions**

02 Dimensions at pitches between 5°–35°



14 Dimensions at pitches between 38°–65°



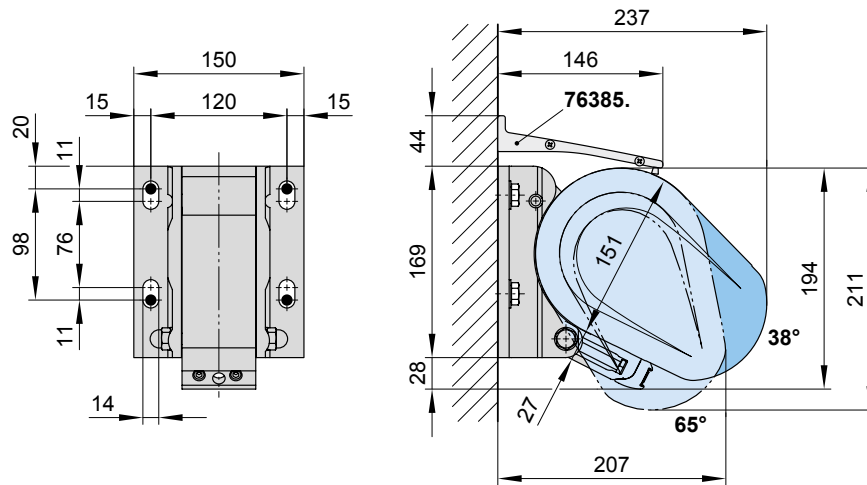
77921. = face fixture brackets 150 mm, 5°–35°

77936. = face fixture brackets 150 mm, 38°–65°

dimensions in mm

## Top fixture, motor operation

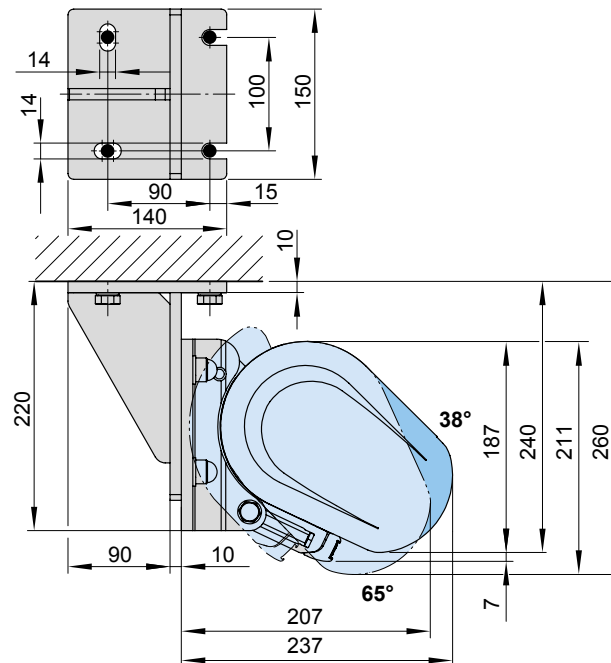
Dimensions at pitches between 38°-65°



- 01
- 02
- 03
- 04
- 05
- 06
- 07**
- 08
- 09
- 10
- 11
- 12
- 13
- 14
- 15
- 16
- 17

## Top fixture, motor operation

Dimensions at pitches between 38°-65°



76385. = wall sealing profile (standard width = awning width (M); up to a maximum awning pitch of 65°)

dimensions in mm

01 Motor cable exit point

02

03

04

05

06

07

08

09

10

11

12

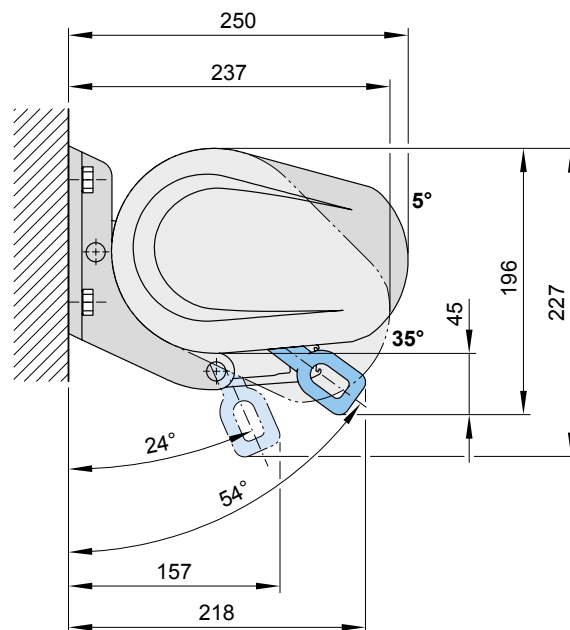
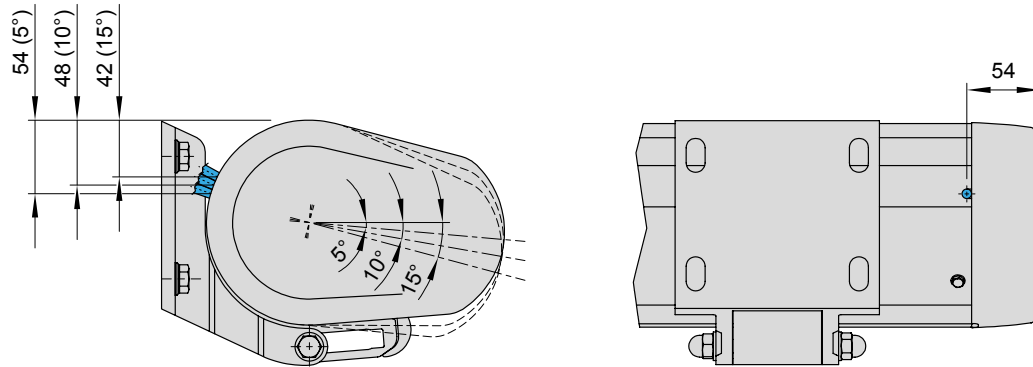
13

14 Face fixture, radio-controlled motor with manual override

15

16

17



dimensions in mm