



Cassette awning

## markilux MX-2

The cassette awning with organic, harmonious design language.



[markilux.com](https://www.markilux.com)

**markilux**  
safe timeless beautiful

Product Characteristics

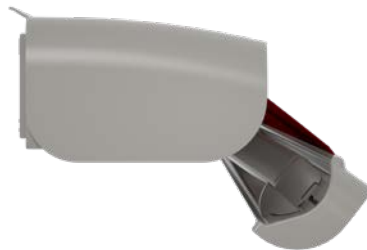
Wind resistance class 2  
Beaufort 5 → 7.5–10.4 m/s → 28–37 km/h → 17–23 mph



1) face fixture



1) face fixture, maximum pitch of 30°



1) top fixture



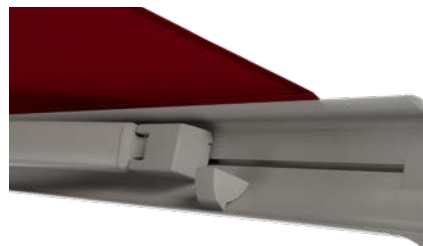
2) arm bearer with tilt device technology, integrated windlock mechanism



3) bionic tendon made of high-tech fibres for optimum power transference



4) arm connection to the front profile



5) LED-Line in the cassette <sup>1)</sup>



5) LED-Spots underneath the cassette <sup>1)</sup>



6) gutter with water drainage holes to the side



1) Optional accessories

## Product Characteristics

### Description

- cassette awning in elegant design - with rounded housing, sophisticated features and unique bracket technology

### Special features

- the elegant look fits in perfectly with a minimalist style of architecture - organic, harmonious design language
- clear design language without corners and edges - the housing and front profile attractively protect the technology enclosed within
- the special cassette profile surrounds the roller tube even when the awning is extended and lends the awning a harmonious, closed appearance
- when the awning is extended, the front profile with integrated rain gutter is attractively accentuated
- option of directional LED Line fitted to the underside of the cassette which provides an appealing atmosphere in the evening
- the virtually invisible face and top fixture brackets mean the awning cassette fits flat against the building
- the tilt device technology with integrated windlock mechanism functioning as arm bearers ensures the awning closes cleanly regardless of the pre-set pitch

### Dimensions

- cassette in the standard version: depth 280 mm, height 167 mm
- single unit: minimum width 195 cm at the smallest projection of 150 cm
- Maximum width 500 cm at a large projection of 350 cm or 600 cm × 300 cm

### Roller tube and lateral bearings

- round roller tube Ø 85 mm with keyway, galvanised steel – excellent stability, ensures near perfect cover performance even at the largest widths
- the cassette side cap is made of die-cast aluminium, powder coated

### Awning profiles

- extruded aluminium, in façade quality, powder coated
- two-piece cassette with clever inner profile – providing the awning cover with optimum protection against the elements
- the lower casing profile of the cassette has drainage holes to allow rainwater to escape, at the ends of the awning and in the centre
- front profile with integrated rain gutter

### Folding arms

- profiles in extruded aluminium, in façade quality, powder coated
- moving parts made of drop-forged aluminium – the arms are therefore extremely fracture resistant
- pivot bolts in stainless steel run in Teflon-coated bronze bushes - practically maintenance free, virtually silent and extremely hard wearing
- power transference via the innovative bionic tendon at the elbow joint, made of high tensile, high-tech fibres low in friction, noiseless, insensitive to corrosion and UV resistant

### End caps

- the cassette end caps are made of die-cast aluminium, powder coated
- the internal caps to cover the internal arm bearers at the side are made of die-cast aluminium
- the front profile end caps are made of die-cast aluminium, powder coated, with water drainage holes

### Fixture brackets

- face fixture, top fixture, eaves fixture
- extruded aluminium, powder coated
- awning pitch adjustment range 5° to 30°
- spacer plates, stand-off brackets and other accessories are available

01 **Frame and styling panel colours**

## 02 markilux frame colours without surcharge

03 traffic white, RAL 9016



metallic aluminium, RAL 9006



grey brown, similar to RAL 8019



04

05

06

07

off-white textured finish, 5233 <sup>1)</sup>stone grey metallic, 5215 <sup>1)</sup>anthracite metallic, 5204 <sup>1)</sup>

08

09

10

11

12

havana brown textured finish, 5229 <sup>1)</sup>

13

14

15

16

17 **Non-standard powder-coated finish**

Bespoke frame colours incur a surcharge – matt, metallic, finely textured and pearl finishes as well as other colour ranges (DB, Tiger etc.) on request. All frame colours are available at a surcharge with enhanced corrosion protection.

Colours may differ slightly from those depicted in both hue and finish.

<sup>1)</sup> textured finish

## Colour combinations for the MX-2 colour

Cassette in ten defined two-tone combinations emphasising its exclusive design features

**Top cassette profile** Traffic white RAL 9016

**Frame colour** Stone grey metallic 5215

**Cover recommendation 1** 36965

**Cover recommendation 2** 31411



**Top cassette profile** Anthracite metallic 5204

**Frame colour** White aluminium RAL 9006

**Cover recommendation 1** 36924

**Cover recommendation 2** 31204



**Top cassette profile** Anthracite metallic 5204

**Frame colour** Stone grey metallic 5215

**Cover recommendation 1** 31467

**Cover recommendation 2** 36981



**Top cassette profile** Off-white textured finish 5233

**Frame colour** Havana brown textured finish 5229

**Cover recommendation 1** 31404

**Cover recommendation 2** 31472



**Top cassette profile** Anthracite metallic 5204

**Frame** Traffic white, RAL 9016

**Cover recommendation 1** 30709

**Cover recommendation 2** 30401



**Top cassette profile** Havana brown textured finish 5229

**Frame colour** Off-white textured finish 5233

**Cover recommendation 1** 31409

**Cover recommendation 2** 41161



**Top cassette profile** New champagne metallic 5062

**Frame colour** Anthracite metallic 5204

**Cover recommendation 1** 30207

**Cover recommendation 2** 36918



**Top cassette profile** Off-white textured finish 5233

**Frame colour** New champagne metallic 5062

**Cover recommendation 1** 36907

**Cover recommendation 2** 36967



**Top cassette profile** Concept black 5095 (RAL 9005 matt)

**Frame colour** Traffic white RAL 9016

**Cover recommendation 1** 41680

**Cover recommendation 2** 31028



**Top profile** Crimson RAL 3002

**Frame colour** Concept black 5095 (RAL 9005 matt)

**Cover recommendation 1** 36923

**Cover recommendation 2** 30703



### Notes on selecting colours: markilux MX-2 colour

From a total of ten colour combinations, in terms of top/cassette profile and frame colour, the markilux MX-2 can be configured even more individually.

The matching cover colour can be chosen from the recommendations or can be chosen freely from the markilux collection one cover collection.

Colours may differ slightly from those depicted in both hue and finish.


There are no other colour combinations available.

01	<b>Optional accessories</b>
	LED Line in the cassette
02	LED Spots underneath the cassette
	infrared heater 2500 W
03	infrared heater 2500 W with integrated radio-controlled receiver 868 MHz Funk io
<b>04</b>	automatic controls (light, wind, rain)
05	N.B. Important background information can be found in the chapter "Optional Accessories".

<b>Fixture options</b>	
face fixture bracket left, 100 mm	72826.
face fixture bracket right, 100 mm	72827.
fixture plate A 430 × 160 × 12 mm	72870.
fixture plate B 300 × 400 × 12 mm	73465.
fixture plate C 310 × 130 × 12 mm	72526.
markilux panel 250 × 230 × 49 mm	76308.
markilux panel continuous	701104
stand-off bracket 80–300 mm	72872.
top fixture bracket left 90 mm	60523.
top fixture bracket right 90 mm	60524.
eaves fixture bracket left, 90 mm, 150 mm top plate	60603.
eaves fixture bracket right, 90 mm, 150 mm top plate	60604.
eaves fixture bracket 90 mm, plate 270 mm	71659.
flat plate and angled bracket for eaves fixture, machine finish aluminium, 500 mm	716620
spreader plate 260 × 60 × 12 mm, for eaves fixture bracket 90 mm	75383.

# Dimensions and configuration options

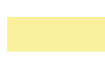
Single unit


		Overall awning width							Minimum width	
		250	300	350	400	450	500	550	600	Motor
<b>Order dimensions</b>		195	251	301	351	401	451	501	551	
		250	300	350	400	450	500	550	600	
<b>H</b>	<b>150</b>	1)								195
	<b>200</b>	1)								245
	<b>250</b>	—	1)							295
	<b>300</b>	—	—	1)						345
	<b>350</b>	—	—	—	1)			—	—	395

dimensions in cm

1) = please note the minimum widths!

H = projection

 = 2 folding arms,  
2 brackets

 = 2 standard arms

<b>Operation</b>	standard	optional
crank handle	—	—
spring-assisted crank handle	—	—
hard-wired motor	—	✓
silentec motor (optionally with an external io / RTS receiver)	—	—
radio-controlled motor io, 868 MHz	✓	—
radio-controlled motor RTS, 433 MHz	—	✓
868 MHz radio-controlled motor io, with manual override	—	—

**Coupled awnings**  
not available

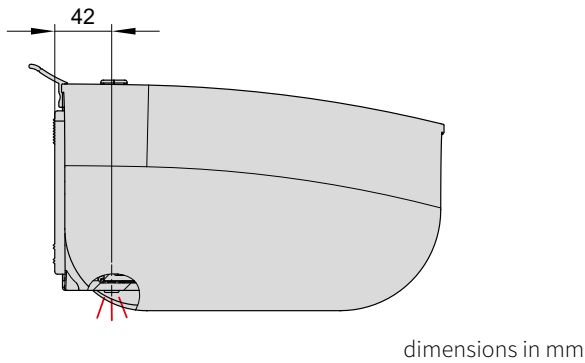
<b>Awning cover</b>	fabric pattern no.	standard	optional
sunvas	300.. - 315..	✓	—
sunsilk	324.. / 325.. / 328.. / 369..	✓	—
sunbow <sup>1)</sup>	411.. - 427..	✓	—
smart art	340..	—	✓
perla FR	371.. / 372..	—	✓

**Shadeplus**  
not available

1) up to max. 300 cm projection available

## Lighting options

### LED-Line in the cassette



#### Technical specification

operating voltage	230 V, 50 Hz
power output per metre	10 W / metre
number of LEDs per metre	120 LEDs / metre
light source	LED (12 V)
number of transformers	1 unit
light temperature	warm white
IP protection class	IP 44
service life	approx. 15.000 h

#### Controls

	standard	optional
radio-controlled dimmer io 868 MHz	✓	—
radio-controlled dimmer RTS 433 MHz	✓	—

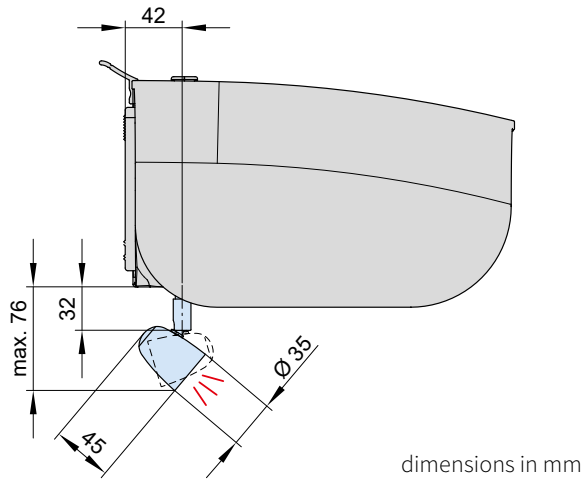
#### Electrical connection

power supply cable	H05RN-F 3G1 (3 × 1 mm <sup>2</sup> ) with open end
--------------------	--



# Lighting options

Directional LED spotlights underneath the cassette



### Technical specification

operating voltage	230 V, 50 Hz
power output of one LED spotlight	5 W
light source	LED (12 V)
number of transformers	1 unit
light temperature	warm white
IP protection class	IP 44
service life	ca. 20.000 h

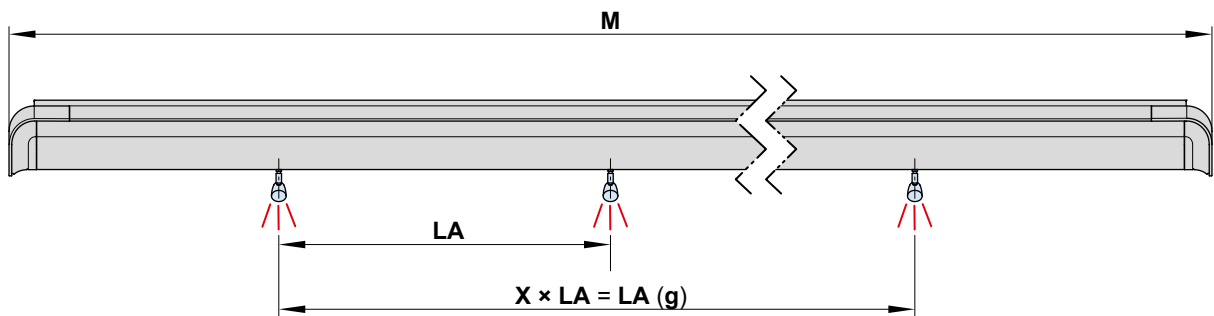
### Controls

	standard	optional
radio-controlled dimmer io 868 MHz	✓	—
radio-controlled dimmer RTS 433 MHz	✓	—

### Electrical connection

power supply cable	H05RN-F 3G1 (3 × 1 mm <sup>2</sup> ) with open end
--------------------	--

LED spotlight distribution underneath the cassette



Awning width	No. of spotlights	LA	LA (g)
195–250	3	75	150
251–300	3	98	196
301–350	3	98	196
351–400	4	98	294
401–450	4	98	294
451–500	5	98	392
501–550	5	98	392
551–600	6	98	490

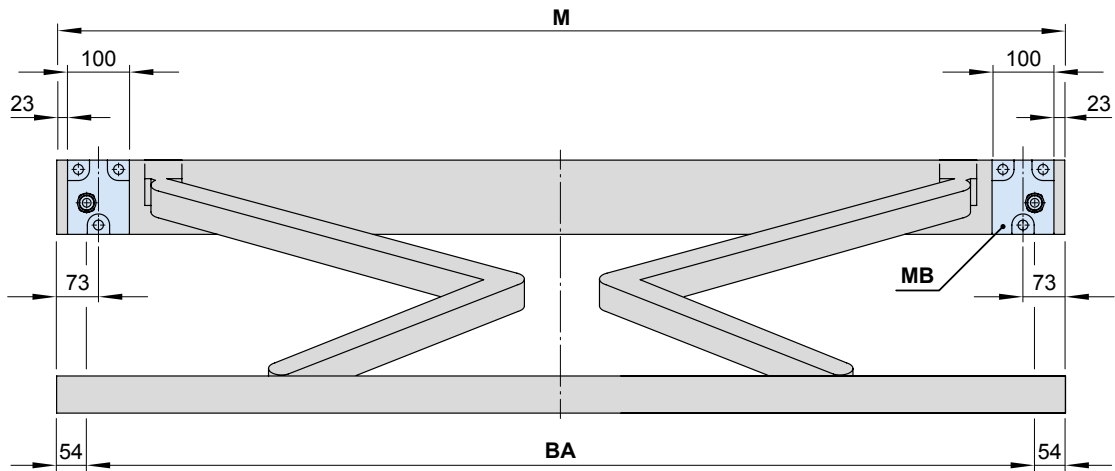
dimensions in cm

LA (g) = distance between the spotlights (total)  
 M = order dimension = awning width

01  
02  
03  
**04**  
05  
06  
07  
08  
09  
10  
11  
12  
13  
14  
15  
16  
17

01 **Bracket fixture range**

02 Face fixture



04

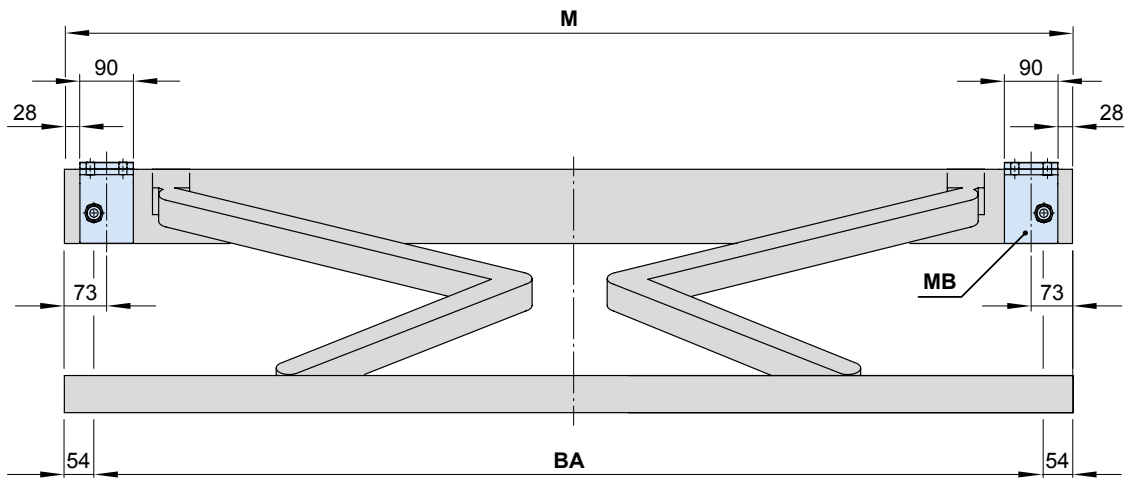
05

06

07

08

09 **Top fixture**



10

11

12

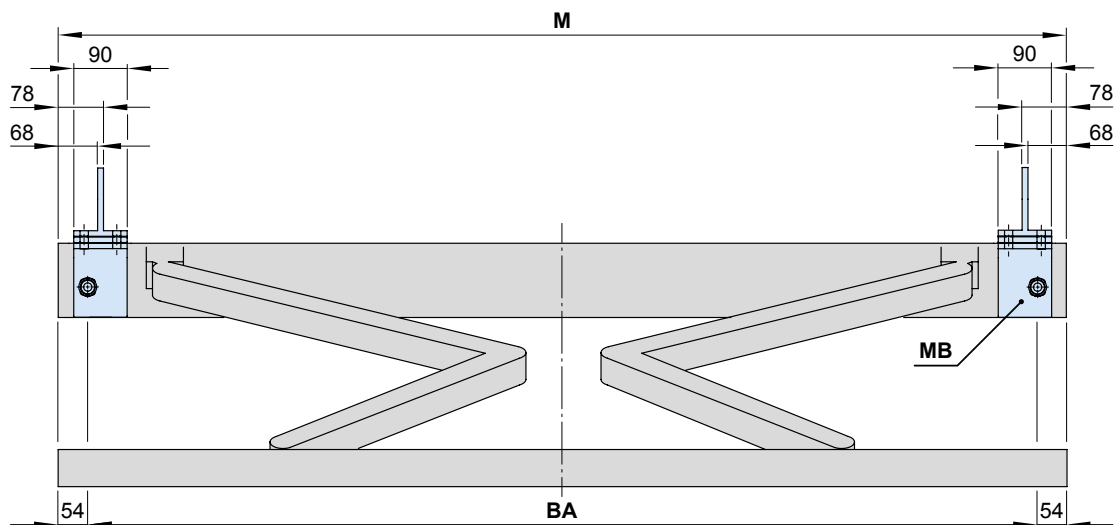
13

14

15

16

17 **Eaves fixture**



- BA** = width between fixture points
- MB** = bracket fixture range
- M** = **order width** = awning width

dimensions in mm

## No. of brackets | No. of fixing points

		Awning width							
		250	300	350	400	450	500	550	600
Order dimensions		195	251	301	351	401	451	501	551
		250	300	350	400	450	500	550	600
		No. of brackets   No. of fixing points							
<b>W</b>	<b>BHT 10</b>	2   6							
<b>BP</b>		A 2   16			B 2   8		C 2   12		
<b>PA</b>		2   8							
<b>DA / DE</b>	<b>9</b>	2   8							

dimensions in cm

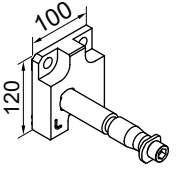
**N.B!** If awnings are installed directly next to one another, a minimum distance of 50 mm must be maintained between each awning! The **pull-out forces** necessary for determining the correct fixing materials necessary to meet wind resistance class 2 (Beaufort 5) can be found in the password-protected dealer area of the [pro.markilux.com](http://pro.markilux.com) website under "Pull-out Forces".

- BHT** = bracket width
- BP** = spreader plate **A** or **B**, to be positioned behind the folding arm
- DA** = eaves fixture brackets
- DE** = top fixture brackets
- PA** = markilux panel, fixture profile, width 250 mm
- W** = face fixture brackets

01  
02  
03  
04  
05  
06  
07  
08  
09  
10  
11  
12  
13  
14  
15  
16  
17

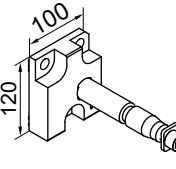
# Face fixture

## Fixtures, fittings and accessories



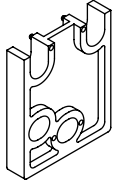
face fixture bracket left

**72826.**



face fixture bracket right

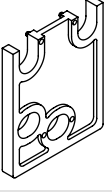
**72827.**



spacer plate for face fixture  
100 × 120 × 20 mm

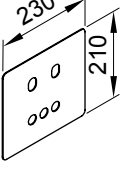
**N.B!**  
Stack to a max. height of 200 mm

**718581**



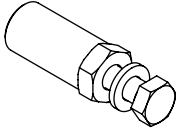
spacer plate for face fixture  
100 × 120 × 12 mm

**718571**



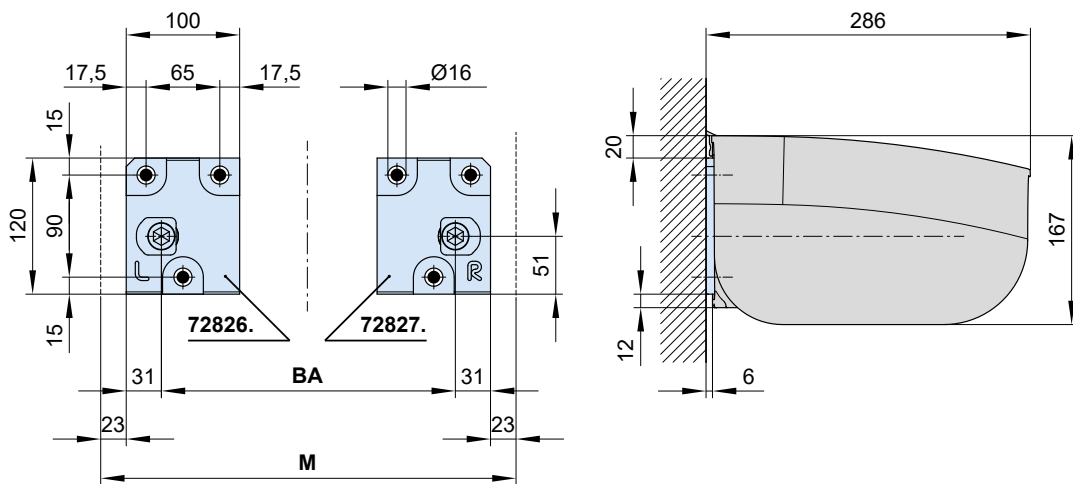
cover plate for spacer plate and stand-off brackets in the case of external insulation  
230 × 210 × 2 mm

**71843.**



reduction bolt  
M 16 → M 12 / SW 27  
50 mm

**753891**



**BA** = width between fixture points  
**M** = **order dimension** = awning width

dimensions in mm

# Face fixture with spreader plate A

Fixtures, fittings and accessories

face fixture bracket left

**72826.**

face fixture bracket right

**72827.**

spreader plate A  
430 × 160 × 12 mm

**72870.**

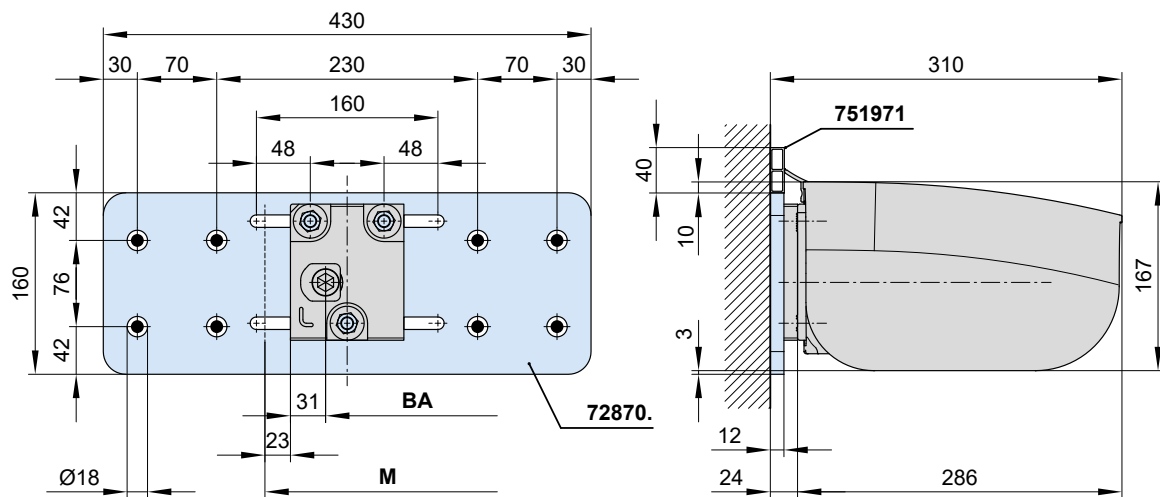
reduction bolt  
M 16 → M 12 / SW 27

50 mm

**753891**

stand-off strip  
for wall sealing  
by the metre

**751971**



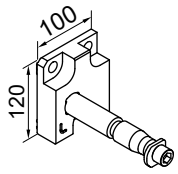
- 751971** = stand-off strip
- BA** = width between fixture points
- M** = **order dimension** = awning width

dimensions in mm

01  
02  
03  
**04**  
05  
06  
07  
08  
09  
10  
11  
12  
13  
14  
15  
16  
17

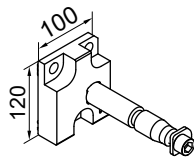
01 **Face fixture with spreader plate B**

02 **Fixtures, fittings and accessories**



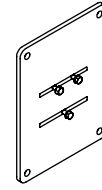
face fixture bracket  
left

04 **72826.**



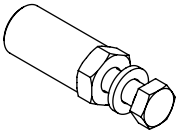
face fixture bracket  
right

**72827.**



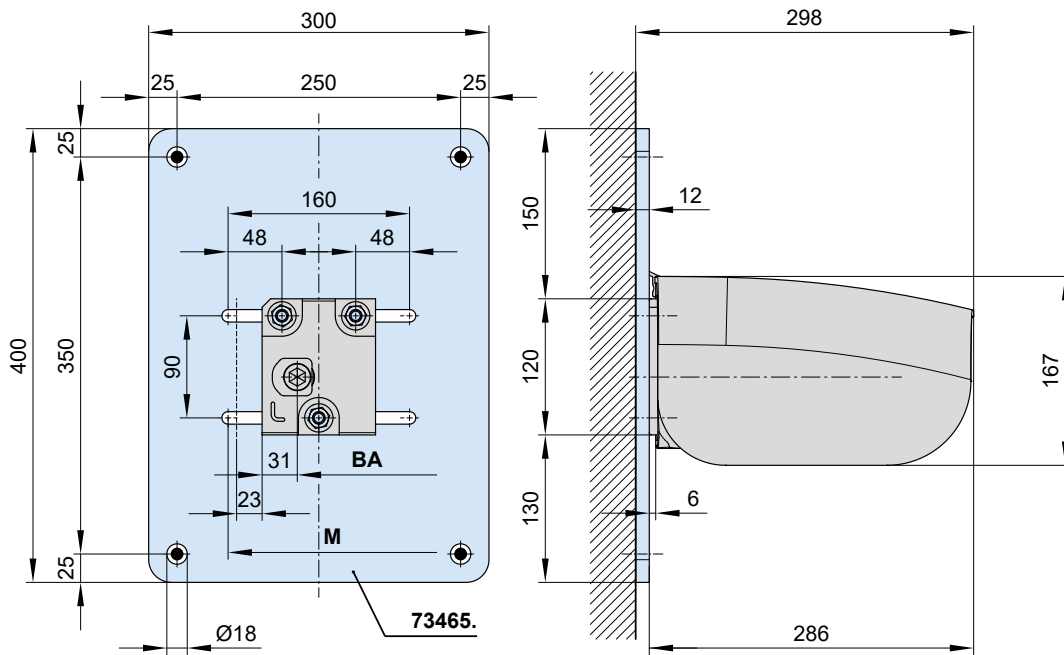
spreader plate B  
300 × 400 × 12 mm

**73465.**



reduction bolt  
M 16 → M 12 / SW 27  
50 mm

**753891**

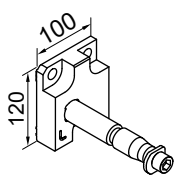


**BA** = width between fixture points  
**M** = **order width** = awning width

dimensions in mm

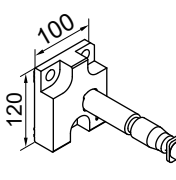
# Face fixture with spreader plate C

Fixtures, fittings and accessories



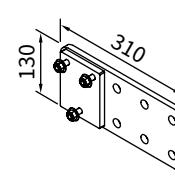
face fixture bracket  
left

**72826.**



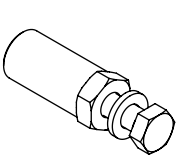
face fixture bracket  
right

**72827.**



spreader plate B  
310 × 130 × 12 mm

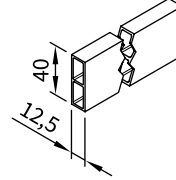
**72526.**



reduction bolt  
M 16 → M 12 / SW 27

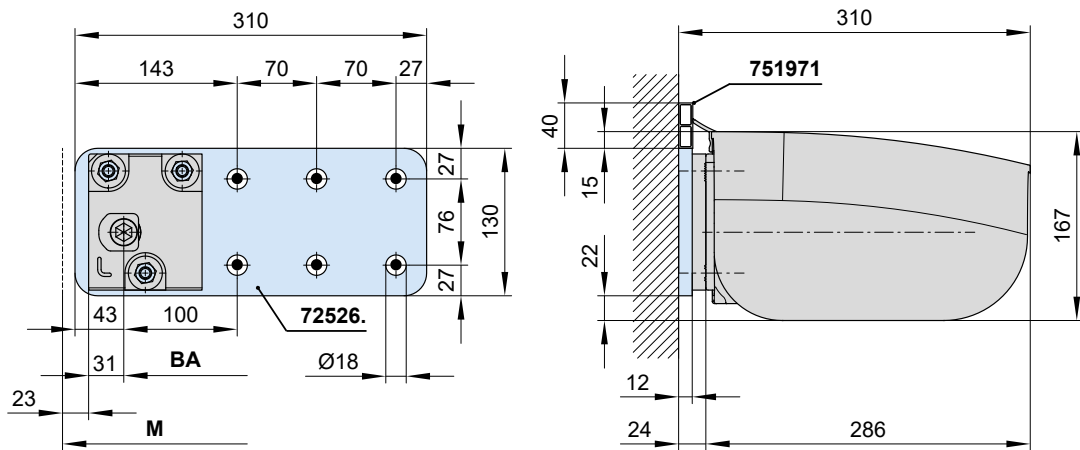
50 mm

**753891**



stand-off strip  
for wall sealing  
by the metre

**751971**



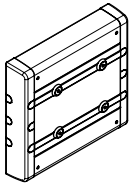
- 751971** = stand-off strip
- BA** = width between fixture points
- M** = **order dimension** = awning width

dimensions in mm

01  
02  
03  
**04**  
05  
06  
07  
08  
09  
10  
11  
12  
13  
14  
15  
16  
17

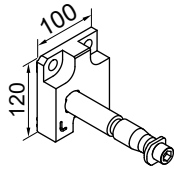
01 **Face fixture using the markilux panel 250 mm wide**

02 **Fixtures, fittings and accessories**



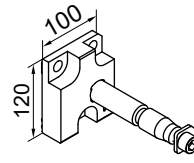
markilux panel  
250 × 230 × 49 mm  
with decorative profiles  
and end caps

04 **76308.**



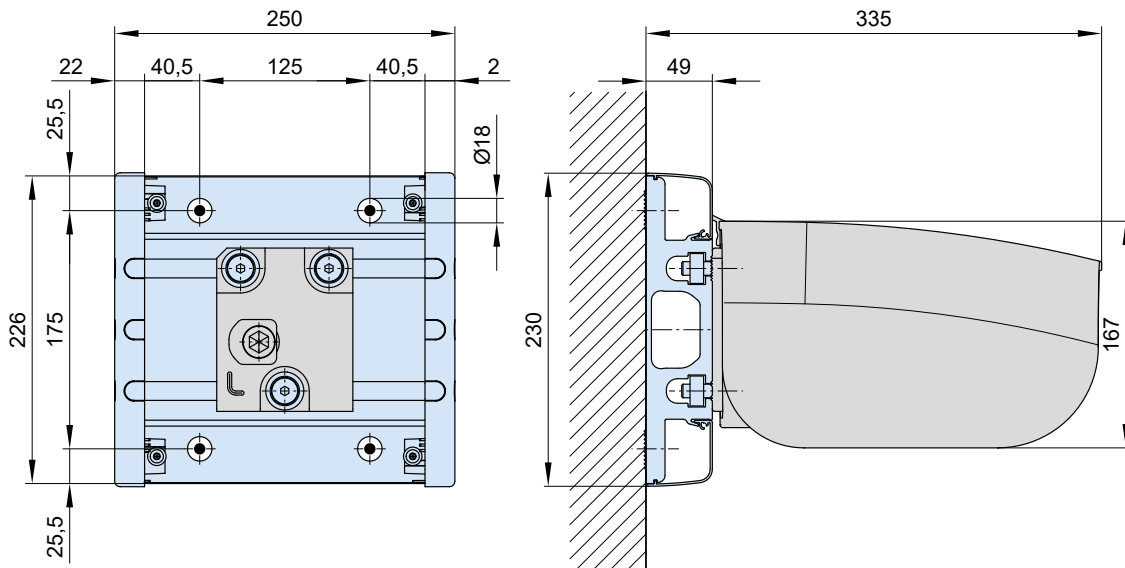
face fixture bracket  
left

72826.



face fixture bracket  
right

72827.

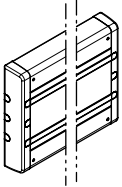
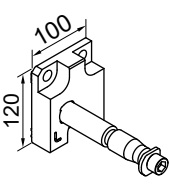
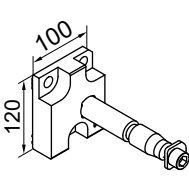


dimensions in mm

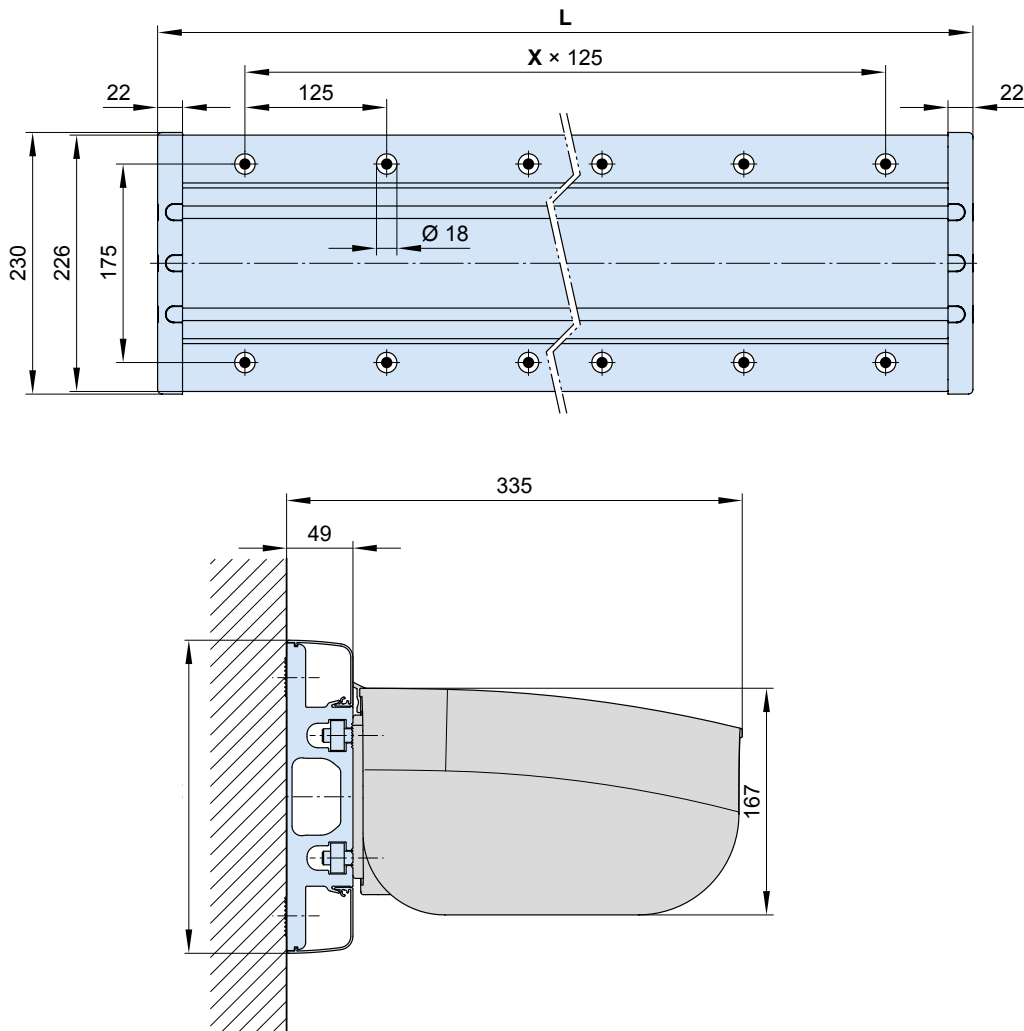


# Face fixture with markilux panel continuous

Fixtures, fittings and accessories

 <p>markilux panel continuous with decorative profiles and end caps</p> <p><b>701104</b></p>	 <p>face fixture bracket left</p> <p><b>72826.</b></p>	 <p>face fixture bracket right</p> <p><b>72827.</b></p>
---	---	--

As a **continuous fixture profile** the markilux panel will always be supplied to order on the basis of a technical drawing prepared in the factory in accordance with the awning specification.



- L** = individual width, max. 7000 mm
- x** = fixing point separation, **by way of example**

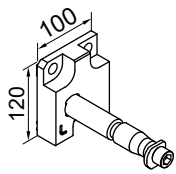
dimensions in mm

01  
02  
03  
**04**  
05  
06  
07  
08  
09  
10  
11  
12  
13  
14  
15  
16  
17

01 **Face fixture with stand-off bracket**

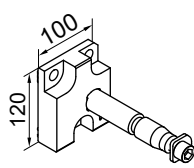
02 **Fixtures, fittings and accessories**

03  
04



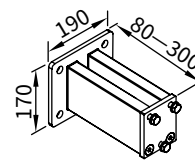
face fixture bracket  
left

**72826.**



face fixture bracket  
right

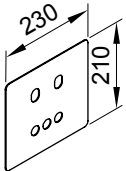
**72827.**



stand-off bracket  
80-300 mm  
for face fixture  
bracket 100 mm  
incl. insulating element

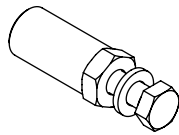
**72872.**

05  
06



cover plate for spacer  
plate and stand-off  
brackets in the case of  
external insulation  
230 x 210 x 2 mm

**71843.**

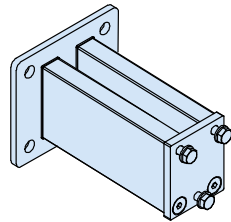


reduction bolt  
M 16 → M 12 / SW 27  
50 mm

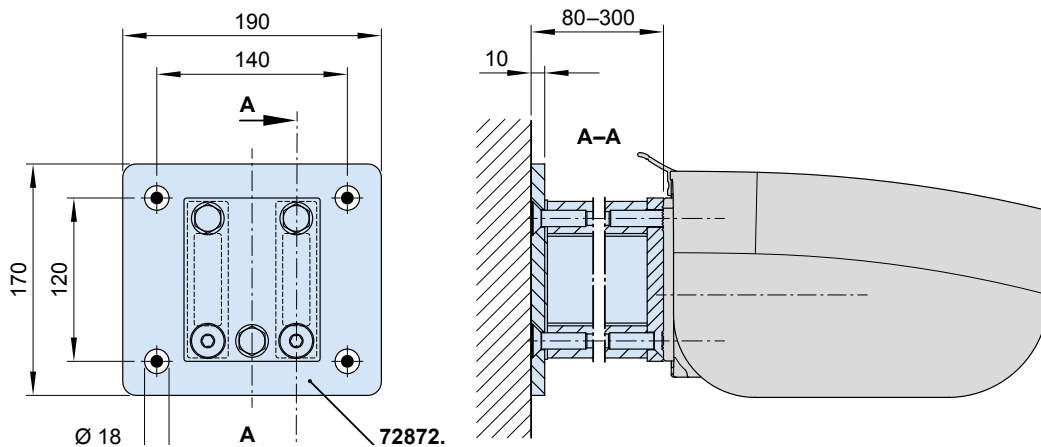
**753891**

07  
08  
09

10  
11  
12  
13  
14  
15  
16  
17



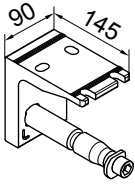
The aluminium stand-off bracket can be shortened on site from 300 mm down to 80 mm. But, then the M 12 threads must be retapped in the shortened profiles.



dimensions in mm

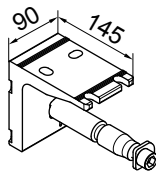
# Top fixture

Fixtures, fittings and accessories



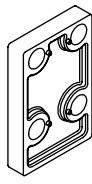
top fixture bracket left

**60523.**



top fixture bracket right

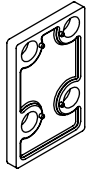
**60524.**



spacer plate for top fixture  
90 × 140 × 20 mm

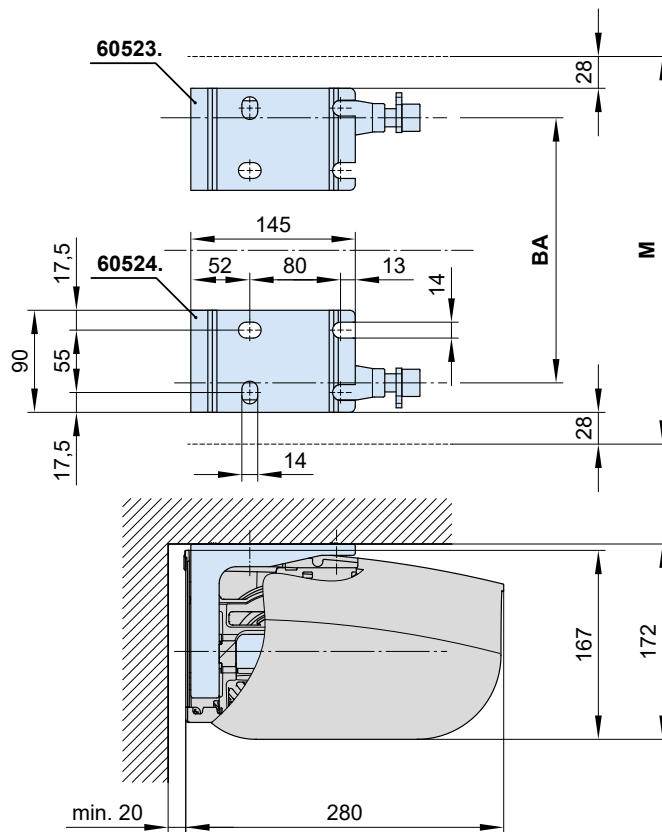
**N.B!**  
Stack to a max. height of 200 mm

**716311**



spacer plate for top fixture  
90 × 140 × 12 mm

**716411**



**BA** = width between fixture points  
**M** = **order width** = awning width

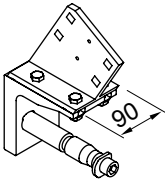
dimensions in mm

01  
02  
03  
**04**  
05  
06  
07  
08  
09  
10  
11  
12  
13  
14  
15  
16  
17

01  
02  
03  
04  
05  
06  
07  
08  
09  
10  
11  
12  
13  
14  
15  
16  
17

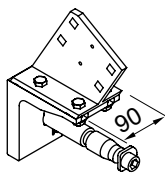
# Eaves fixture

## Fixtures, fittings and accessories



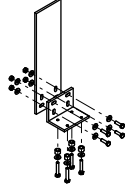
eaves fixture bracket  
150 mm plate  
left

**60603.**



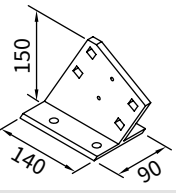
eaves fixture bracket  
150 mm plate  
right

**60604.**



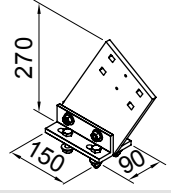
angle and plate for  
eaves fixture  
height of plate 500 mm  
machine finish

**716620**



eaves fixture bracket  
90 mm  
height of flat plate  
150 mm

**71612.**



eaves fixture bracket  
90 mm  
height of flat plate  
270 mm

**71659.**

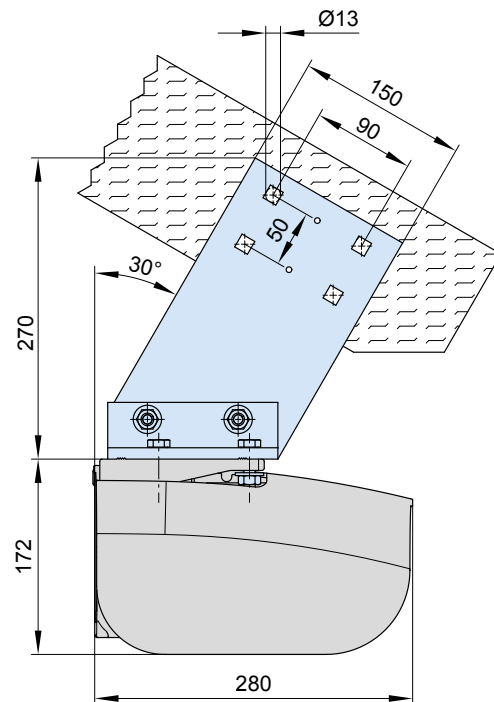
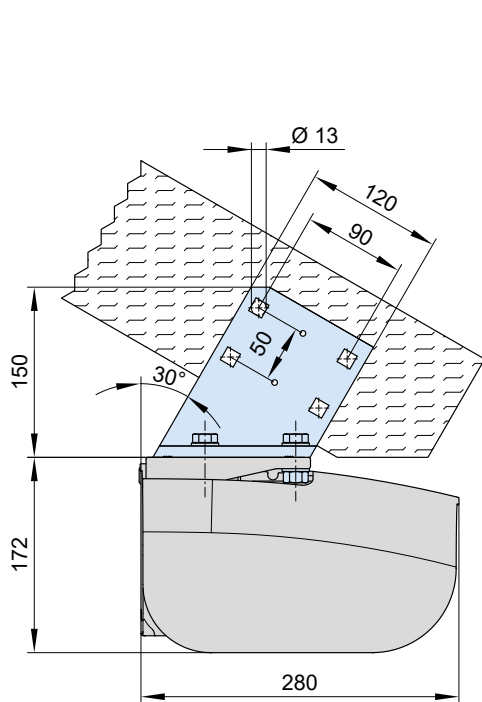


accessories  
for two eaves fixture  
brackets 71612.

**799601**

With eaves fixture bracket 150 mm (71612.)

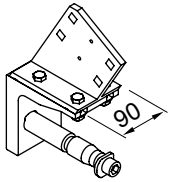
With eaves fixture bracket 270 mm (71659.)



dimensions in mm

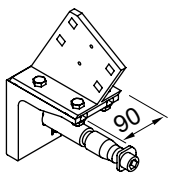
# Eaves fixture with additional plate

Fixtures, fittings and accessories



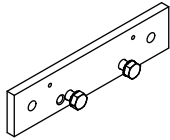
eaves fixture bracket  
150 mm plate  
left

**60603.**



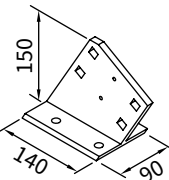
eaves fixture bracket  
150 mm plate  
right

**60604.**



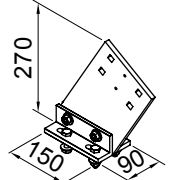
supplementary flat  
plate  
for eaves fixture  
260 × 60 × 12 mm

**75383.**



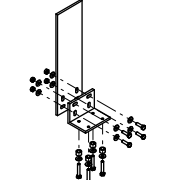
eaves fixture bracket  
90 mm  
height of flat plate  
150 mm

**71612.**



eaves fixture bracket  
90 mm  
height of flat plate  
270 mm

**71659.**



angle and plate for  
eaves fixture  
height of plate 500 mm  
machine finish

**716620**

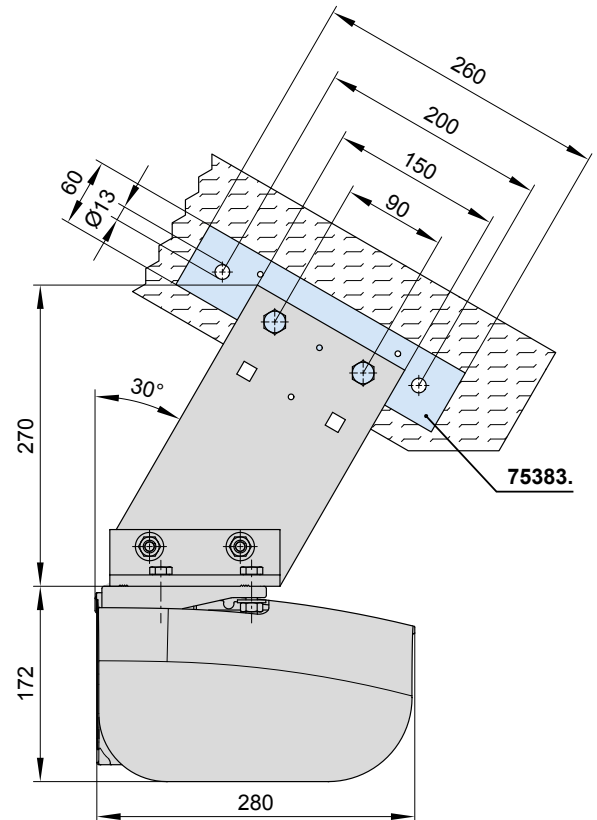
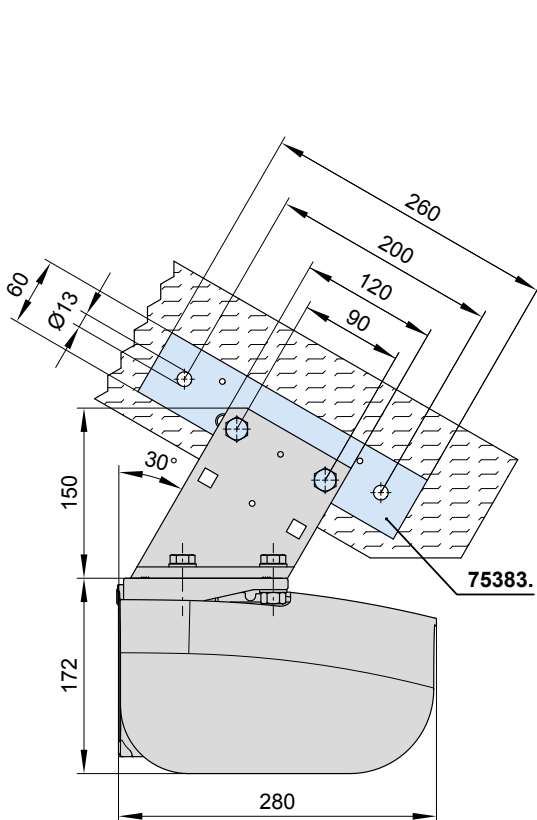


accessories  
for two eaves fixture  
brackets 71612.

**799601**

With eaves fixture bracket 150 mm (71612.)

With eaves fixture bracket 270 mm (71659.)

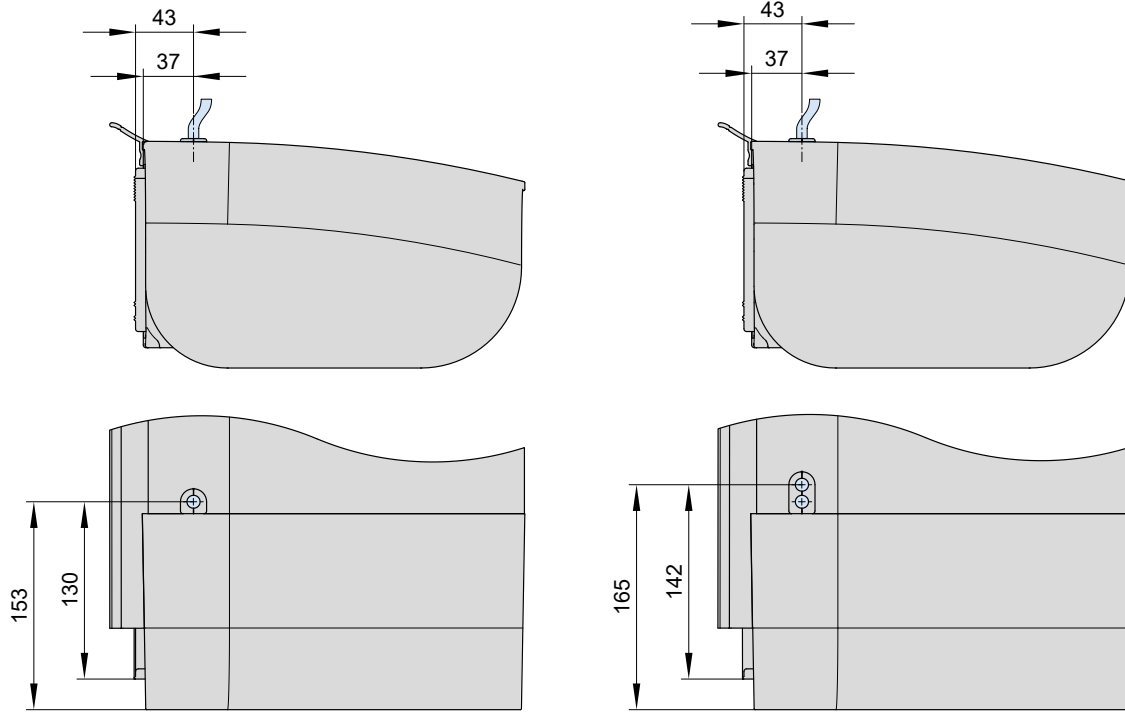


dimensions in mm

01  
02  
03  
**04**  
05  
06  
07  
08  
09  
10  
11  
12  
13  
14  
15  
16  
17

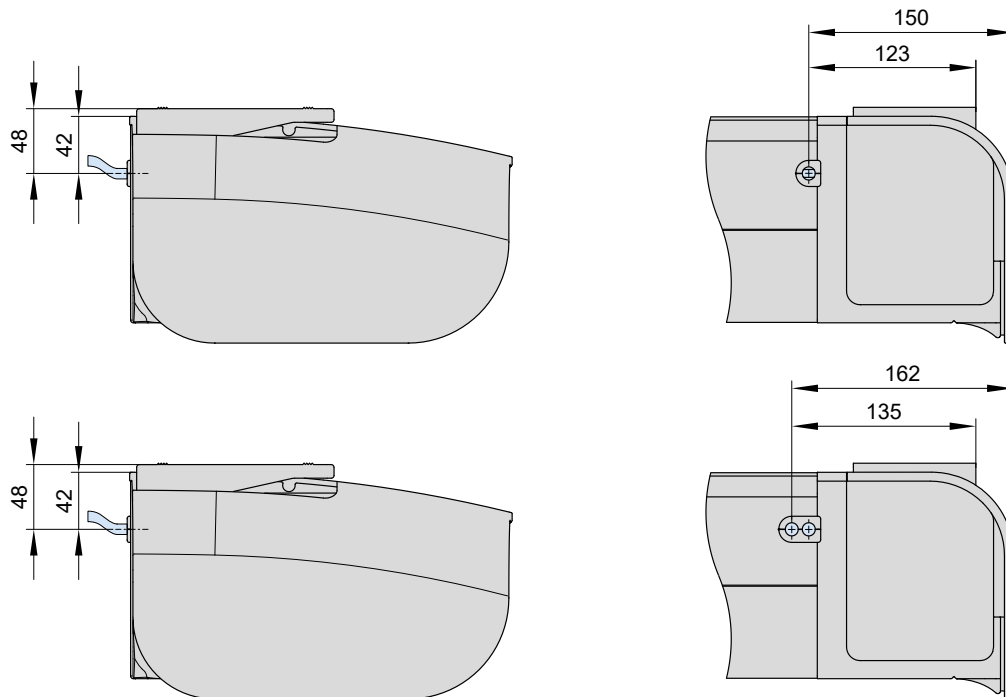
01 **Motor cable exit point** <sup>1)</sup>

02 Face fixture



04

08 Top fixture



**Specification**

	Number of wire cores	max.
Awning with integrated radio-controlled technology		
awning motor	1	2
lighting	1	
Awning without radio-controlled technology		
awning motor	1	2
lighting	1	

1) depending on the operation side, left or right

dimensions in mm

01

02

03

**04**

05

06

07

08

09

10

11

12

13

14

15

16

17