



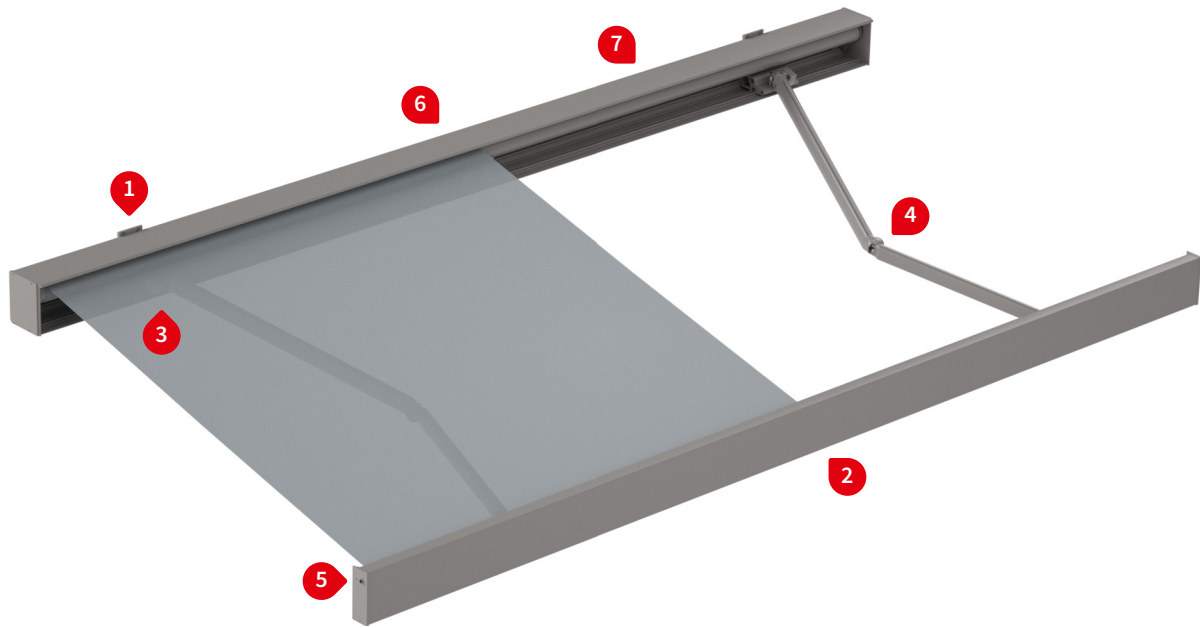
Cassette awning

markilux 3300

The awning for purists – straight-lined simplicity for the domestic and commercial minimalist.

Product Characteristics

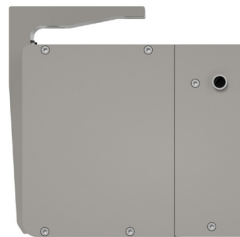
Wind resistance class 2
Beaufort 5 → 7.5–10.4 m/s → 28–37 km/h → 17–23 mph



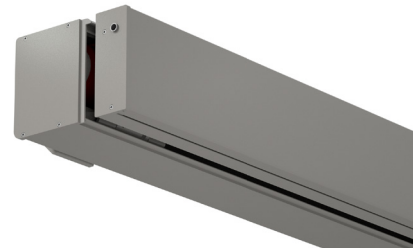
1 face fixture



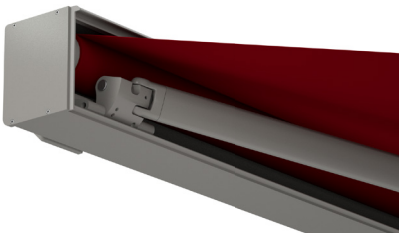
1 top fixture



2 awning retracting horizontally, irrespective of the awning pitch



3 arm bearer with tilt device technology, integrated windlock mechanism



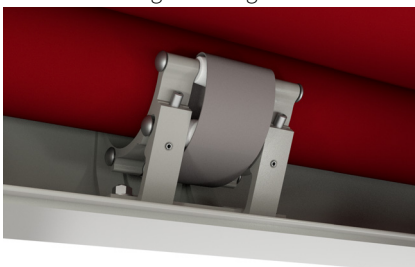
4 bionic tendon made of high-tech fibres for optimum power transference



5 hidden gutter in the front profile with water drainage holes to the side



6 rolltex bearing for the roller tube, used in larger awning widths



7 wall connection profile with rubber sealing strip



Product Characteristics

Description

- extremely robust, angular cassette. Ideally suited for installation in niches and reveals, under overhangs and to business premises

Special features

- the straight lines with smooth front panel suit a minimalistic building style perfectly
- the design characteristics allow the awning to be fitted into niches and reveals
- the tilt device technology with integrated windlock mechanism functioning as arm bearers ensures the awning closes cleanly regardless of the pre-set pitch
- option of a wall seal by means of an additional aluminium profile with rubber sealing strip (grey/black)
- option of a silentec motor – motor noise is appreciably reduced

Dimensions

- cassette in the standard version: depth 224 mm, height 192 mm,
- single unit: minimum width 190 cm at the smallest projection of 150 cm, maximum width 700 cm at the largest projection of 400 cm
- also available as a coupled unit

roller tube and lateral bearings

- round roller tube Ø 85 mm with keyway, galvanised steel – excellent stability, ensures near perfect cover performance even at the largest widths
- the roller support bracket is made of extruded aluminium, integrated into the cassette

Awning profiles

- extruded aluminium, in façade quality, powder coated
- cassette made of a single extruded profile, with continuous keyways for infinitely variable bracket positions
- the front profile is shaped like a smooth panel, with integrated rain gutter

Folding arms

- profiles in extruded aluminium, in façade quality, powder coated
- moving parts made of drop-forged aluminium – the arms are therefore extremely fracture resistant
- pivot bolts in stainless steel run in Teflon-coated bronze bushes - practically maintenance free, virtually silent and extremely hard wearing
- power transference via the innovative bionic tendon at the elbow joint, made of high tensile, hightech fibres – low in friction, noiseless, impervious to corrosion and UV resistant, independently tested by the Fraunhofer Institute

End caps

- the cassette side cheeks are made of extruded aluminium, powder coated
- the front profile end caps are made of extruded aluminium, powder coated, with water drainage holes

Fixture brackets

- face fixture, top fixture, eaves fixture
- extruded aluminium, powder coated
- also available in individual widths (on request)
- awning pitch adjustment range 5° to 45°
- spacer plates, stand-off brackets and other accessories are available

01 **Frame and end cap colours**

02 markilux frame colours without surcharge

03 traffic white, RAL 9016



05 metallic aluminium, RAL 9006



07 grey brown, similar to RAL 8019

09 off-white textured finish, 5233 ¹⁾11 stone grey metallic, 5215 ¹⁾13 anthracite metallic, 5204 ¹⁾15 havana brown textured finish, 5229 ¹⁾17 **Non-standard powder-coated finish**

Bespoke frame colours incur a surcharge – matt, metallic, finely textured and pearl finishes as well as other colour ranges (DB, Tiger etc.) on request. All frame colours are available at a surcharge with enhanced corrosion protection.

Colours may differ slightly from those depicted in both hue and finish.

¹⁾ textured finish

Dimensions and configuration options

Single unit

		Overall awning width									Minimum width					
		250	300	350	400	450	500	550	600	650	700 ¹⁾	Motor			Crank handle	
Order dimensions		190 250	251 300	301 350	351 400	401 450	451 500	501 550	551 600	601 650	651 700					
H	150	3)										203	190	—	203	190
	200	3)	3)									253	240	—	253	240
	250	—	3)	3)								303	290	—	303	290
	300	—	—	3)	3)							353	340	—	353	340
	350	—	—	—	3)	3)					1) 2)	403	390	650	403	390
	400¹⁾	—	—	—	—	3)	3)				—	453	440	700	—	—

dimensions in cm

- 1) = only available with motor drive (surcharge)
- 2) = no intermediate sizes possible below width of 650 cm
- 3) = please note the minimum widths!
- H = projection

- = 2 folding arms, 2 brackets
- = 2 folding arms, 4 brackets
- = 2 folding arms, 5 brackets, 1 rolltex bearings
- = 3 folding arms, 4 brackets, 2 rolltex bearings
- = 3 folding arms, 6 brackets, 2 rolltex bearings

- = 2 standard arms
- = 2 bespoke arms (surcharge)
- = 3 standard arms

Operation

	standard	optional	Coupled awning (only with motor drive) ¹⁾
crank handle	✓	—	2 fields, 1 motor, maximum width 1390 cm
spring-assisted crank handle	—	✓	3 fields, 1 motor, maximum width 1950 cm
hard-wired motor	—	✓	maximum projection (depending on the width) 400 cm
silentec motor (optionally with an external io / RTS receiver ¹⁾)	—	✓	junction roller
radio-controlled motor io, 868 MHz	—	✓	optional One-piece cover (maximum of 2 fields / 15° pitch)
radio-controlled motor RTS, 433 MHz	—	✓	
868 MHz radio-controlled motor io with manual override ¹⁾	—	—	

1) For awnings with a maximum of 2 arms

Awning cover

	fabric pattern no.	standard	optional
sunvas	300.. - 315..	✓	—
sunsilk	324.. / 325.. / 328.. / 369..	✓	—
sunbow	411.. - 427..	✓	—
smart art	340..	—	✓
perla FR	371.. / 372..	—	✓
valance, height 20 cm		—	✓

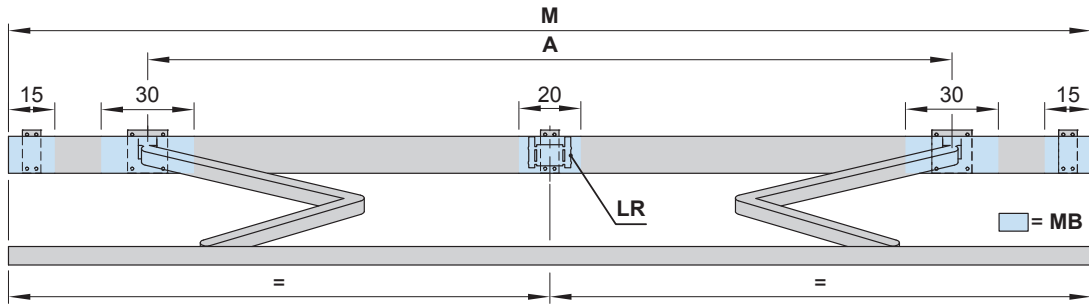
Shadeplus

not available

01	Optional accessories	Fixture options	
	wall connection profile (in pieces) with rubber sealing strip	face fixture bracket 100 mm	71994.
02	valance	face fixture bracket 60 mm	71995.
	infrared heater 2500 W	face fixture bracket 200 mm	71996.
03	infrared heater 2500 W with integrated radio-controlled receiver 868 MHz radio-controlled io	face fixture bracket profile, undrilled, by the metre (max. 2 m)	71997.
04	LED spotline – light bar 110 × 70 mm with 5 W LED spotlights, 180 cm / 3 spots or 300 cm / 5 spots	fixture plate A 430 × 160 × 12 mm	75328.
	LED spotline io – light bar 110 × 70 mm with 5 W LED spotlight-integrated dimmable radio-controlled receiver, width 180 cm / 3 spots or 300 cm / 5 spots	fixture plate B 300 × 400 × 12 mm	75327.
05		markilux panel 250 × 230 × 49 mm	76308.
06	automatic controls (light, wind, rain)	markilux panel continuous	701104
	N.B. Important background information can be found in the chapter “Optional Accessories”	stand-off bracket 80–300 mm	77968.
07		stand-off bracket 80–300 mm	77967.
08		top fixture bracket 90 mm	71651.
		top fixture bracket 200 mm	71652.
09		top fixture bracket profile, undrilled, by the metre (max. 2 m)	701635
10		eaves fixture bracket 90 mm plate 150 mm	71612.
11		eaves fixture bracket 90 mm plate 270 mm	71659.
12		flat plate and angled bracket for eaves fixture, machine finish aluminium, 500 mm	716620
13		spreader plate 260 × 60 × 12 mm for eaves fixture bracket	75383.
14			
15			
16			
17			

Bracket fixture range

Awning with 2 folding arms



		Awning width								
		250	300	350	400	450	500	550	600	650
Order dimensions		190	251	301	351	401	451	501	551	601
		250	300	350	400	450	500	550	600	650
		Arm position A								
H	150	168 ¹⁾	230	260	300	340	380	410	450	490
	200	205 ²⁾	218 ¹⁾	260	300	340	380	410	450	490
	250	—	255 ²⁾	268 ¹⁾	300	340	380	410	450	490
	300	—	—	305 ²⁾	318 ¹⁾	340	380	410	450	490
	350	—	—	—	355 ²⁾	368 ¹⁾	380	440	450	—
	400	—	—	—	—	405 ²⁾	418 ¹⁾	440	450	—
		BHT	No. of brackets No. of fixing points							
W	6	—	—	—	2 4	3 6				
	10	2 6	—	—	2 6	2 6				
	20	—	2 8	—	—	—				
BP		A 2 16 B 2 8	A 2 16 B 2 8	A 2 16 B 2 8	A 2 16 B 2 8					
DP		—	—	—	2	3				
PA		2 8	2 8	4 16	5 20					
DE	9	2 8	—	4 16	5 20					
	20	—	2 12	—	—					
DA	9	2 8	2 8	4 16	5 20					

dimensions in cm

1)= coupled awnings are available in intermediate widths with a junction roller on request

2)= please note the minimum widths! Dimension A is only valid for standard arms!

In the case of bespoke arms: A minus 13 cm, coupled units are not available with a junction roller

If the brackets cannot be positioned in accordance with this table, make sure the actual dimensions are noted on the order form!
If awnings are installed directly next to one another, a minimum distance of 50 mm must be maintained between each awning!

The **pull-out forces** necessary for determining the correct fixing materials necessary to meet wind resistance class 2 (Beaufort 5) can be found in the password-protected dealer area of the *pro.markilux.com* website under "Pull-out Forces".

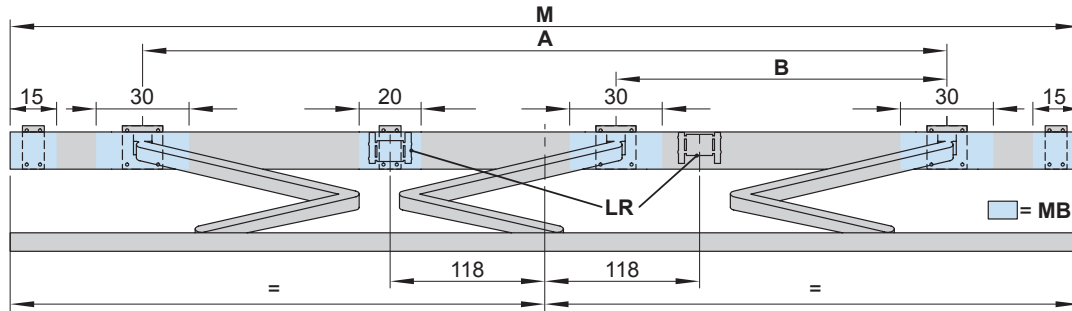
- A** = arm position
- BHT** = bracket width
- BP** = spreader plate **A** or **B**, to be positioned behind the folding arm
- DA** = eaves fixture brackets
- DE** = top fixture brackets
- DP** = spacer plate 71642., to be positioned behind the rolltex bearing, in the case of spreader plate **A** or **B**

- H** = **order dimension** = projection
- LR** = rolltex bearing
- M** = **order dimension** = awning width
- MB** = bracket fixture range
- PA** = markilux panel, fixture profile, width 250 mm
- W** = face fixture brackets

dimensions in mm

Bracket fixture range

Awning with 3 folding arms



dimensions in cm

08

		Overall awning width							
		650		700		650		700	
Order dimensions		—		651 700		651 689		690 700	
		Arm position							
		A	B	A	B	A	B	A	B
H	150	—	—	540	250	—	—	—	—
	200	—	—	540	250	—	—	—	—
	250	—	—	550	235	—	—	—	—
	300	—	—	580	235	—	—	—	—
	350	615 ¹⁾	230 ¹⁾	—	—	615 ¹⁾	230 ¹⁾	640 ¹⁾	230 ¹⁾
	400	—	—	—	—	—	—	665 ¹⁾	235 ¹⁾

		No. of brackets No. of fixing points	
W	BHT 6	1 2	3 6
	10	—	3 9
	20	3 12	—
BP		A 3 24 ²⁾ B 3 12 ²⁾	A 3 24 B 3 12
DP		1	3
PA		4 16	6 24
DE	9	1 4	6 24
	20	3 18	—
DA	9	4 16	6 24

dimensions in cm

1) = coupled units are not available with a junction roller

2) = face fixture with spreader plate **A** or **B** including 3 face fixture 100 mm 71994. and 1 face fixture 60 mm 71995.

If the brackets cannot be positioned in accordance with this table, make sure the actual dimensions are noted on the order form!

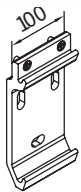
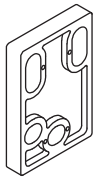

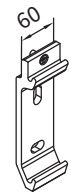
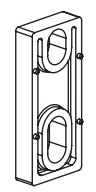
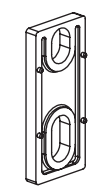
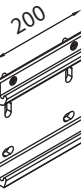
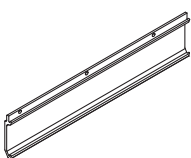
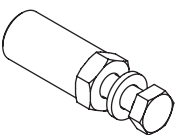
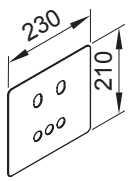
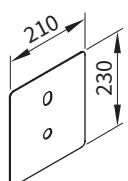
If awnings are installed directly next to one another, a minimum distance of 50 mm must be maintained between each awning!

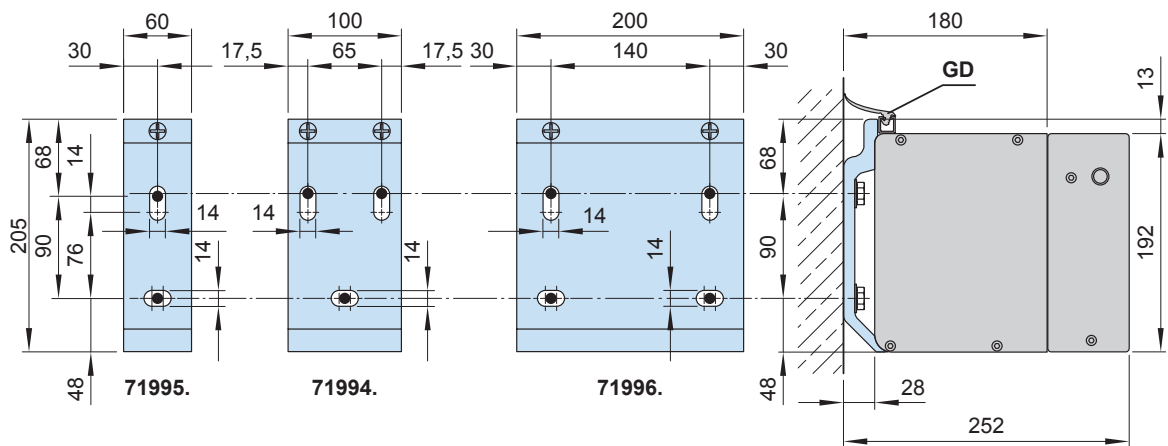
The **pull-out forces** necessary for determining the correct fixing materials necessary to meet wind resistance class 2 (Beaufort 5) can be found in the password-protected dealer area of the pro.markilux.com website under "Pull-out Forces".

- A** = arm position
- BHT** = bracket width
- BP** = spreader plate **A** or **B**, to be positioned behind the folding arm
- DA** = eaves fixture brackets
- DE** = top fixture brackets
- DP** = spacer plate 71642., to be positioned behind the rolltex bearing, in the case of spreader plate **A** or **B**
- H** = order dimension = projection
- LR** = rolltex bearing
- M** = order width = awning width
- MB** = bracket fixture range
- PA** = markilux panel, fixture profile, width 250 mm
- W** = face fixture brackets

Face fixture

Fixtures, fittings and accessories

 <p>face fixture bracket 100 mm</p> <p>71994.</p>	 <p>spacer plate for face fixture 100 × 150 × 20 mm</p> <p>N.B! Stack to a max. height of 200 mm</p> <p>758831</p>	 <p>spacer plate 100 × 150 × 12 mm</p> <p>758841</p>
 <p>face fixture bracket 60 mm</p> <p>71995.</p>	 <p>spacer plate face / top 60 × 140 × 20 mm</p> <p>N.B! Stack to a max. height of 200 mm</p> <p>716321</p>	 <p>spacer plate face / top 60 × 140 × 12 mm</p> <p>71642.</p>
 <p>face fixture bracket 200 mm</p> <p>71996.</p>	 <p>face fixture bracket undrilled, by the metre</p> <p>71997.</p>	 <p>reduction bolt pack 10 pcs</p> <p>M 16 → M 12 M 16 → M 10 M 12 → M 10 M 10 → M 10</p>
 <p>cover plate for spacer plate and stand-off brackets in the case of external insulation 230 × 210 × 2 mm</p> <p>71843.</p>	 <p>cover plate for spacer plate and stand-off brackets in the case of external insulation 210 × 230 × 2 mm</p> <p>71844.</p>	



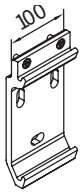
GD = rubber sealing strip

dimensions in mm

01
02
03
04
05
06
07
08
09
10
11
12
13
14
15
16
17

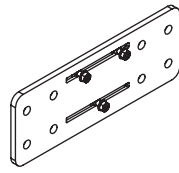
01 **Face fixture with spreader plate A**

02 Fixtures, fittings and accessories



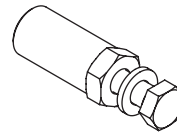
face fixture bracket
100 mm

71994.



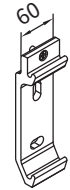
spreader plate A face
fixture
430 × 160 × 12 mm

75324.



reduction bolt
pack 10 pcs

M 16 → M 12 | M 16 → M 10 | M 12 → M 10 | M 10 → M 10



face fixture bracket
60 mm

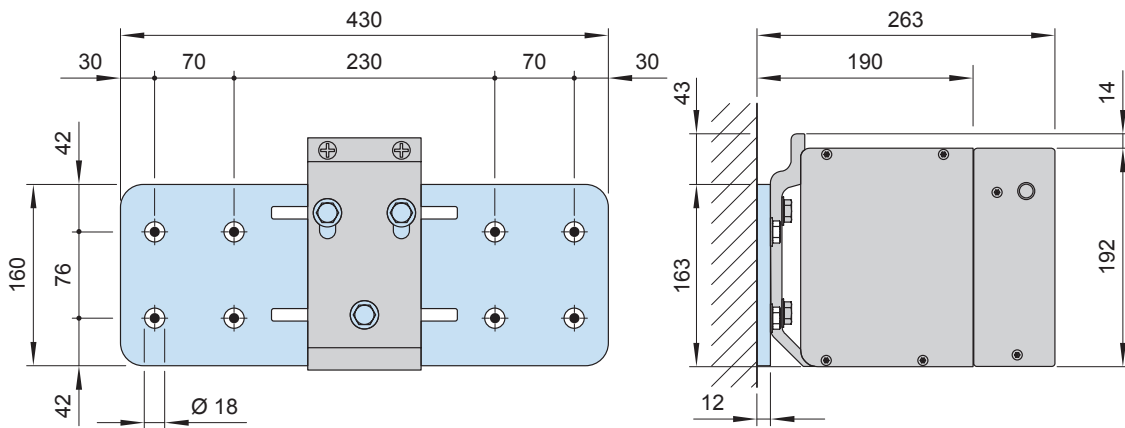
71995.



spacer plate
face / top
60 × 140 × 12 mm

71642.

08

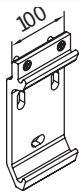


In the case of face fixture using spreader plate B, the rubber sealing strip can only be used in combination with the spacing profile (751971)

dimensions in mm

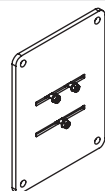
Face fixture with spreader plate B

Fixtures, fittings and accessories



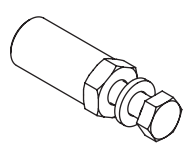
face fixture bracket
100 mm

71994.



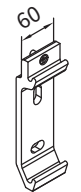
spreader plate B
300 × 400 × 12 mm

75323.




reduction bolt
pack 10 pcs

M 16 → M 12 | M 16 → M 10 | M 12 → M 10 | M 10 → M 10



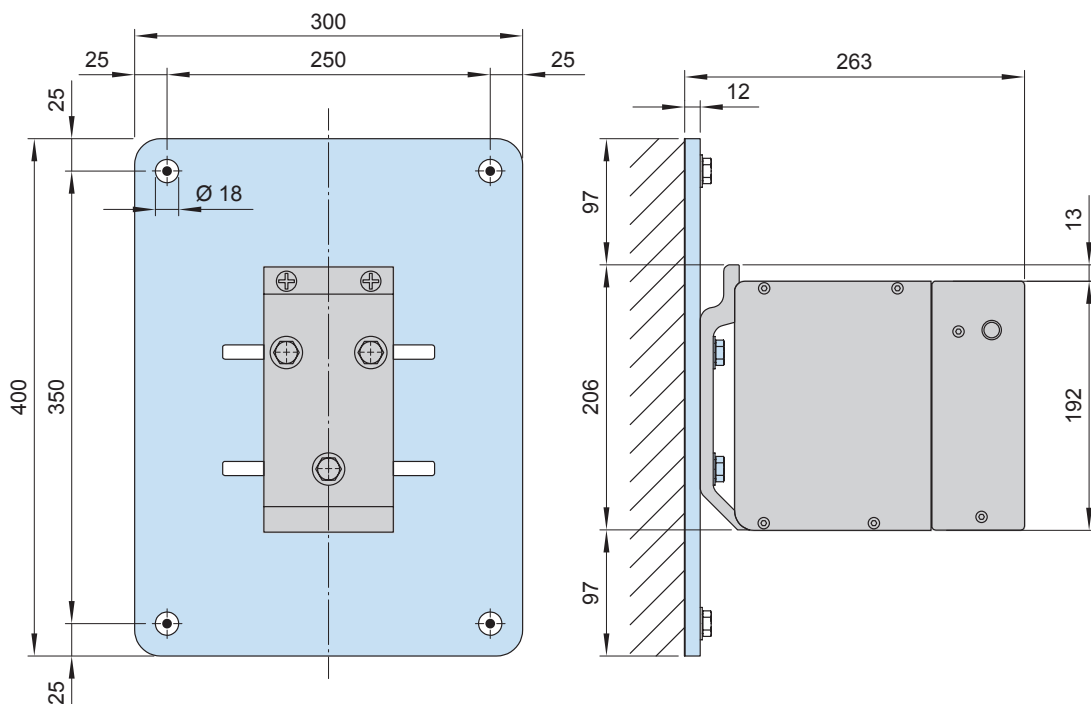
face fixture bracket
60 mm

71995.



spacer plate
face / top
60 × 140 × 12 mm

71642.



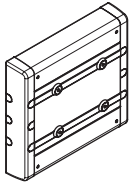
In the case of face fixture using spreader plate B, the rubber sealing strip can only be used in combination with the spacing profile (751971)

dimensions in mm

01
02
03
04
05
06
07
08
09
10
11
12
13
14
15
16
17

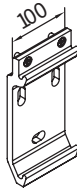
01 **Face fixture using the markilux panel 250 mm wide**

02 Fixtures, fittings and accessories



markilux panel
250 × 230 × 49 mm
with decorative profiles
and end caps

76308.



face fixture bracket
100 mm

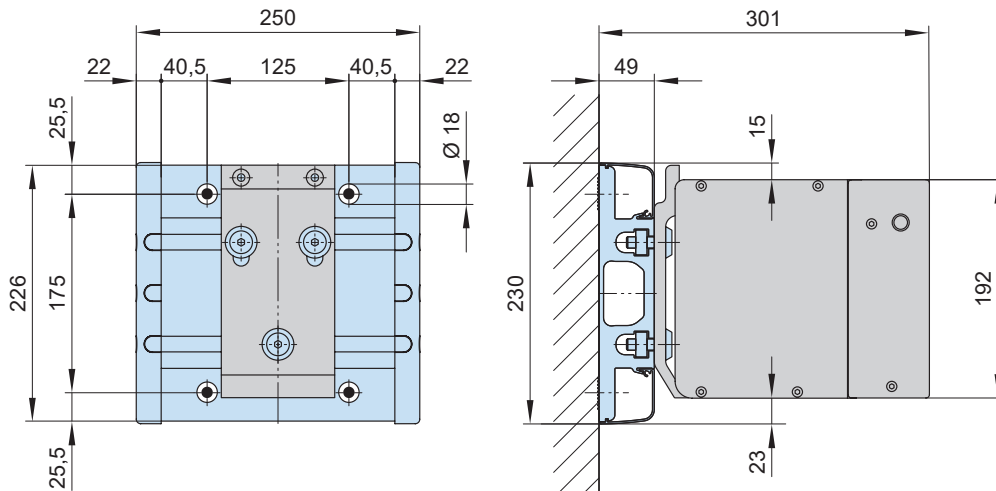
71994.



face fixture bracket
60 mm

71995.

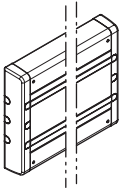
08



dimensions in mm

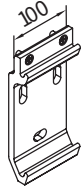
Face fixture with markilux panel continuous

Fixtures, fittings and accessories



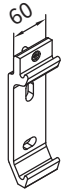
markilux panel continuous
with decorative profiles and end caps

701104



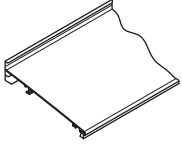
face fixture bracket 100 mm

71994.



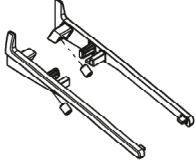
face fixture bracket 60 mm

71995.



wall sealing profile incl. brush seal
by the metre

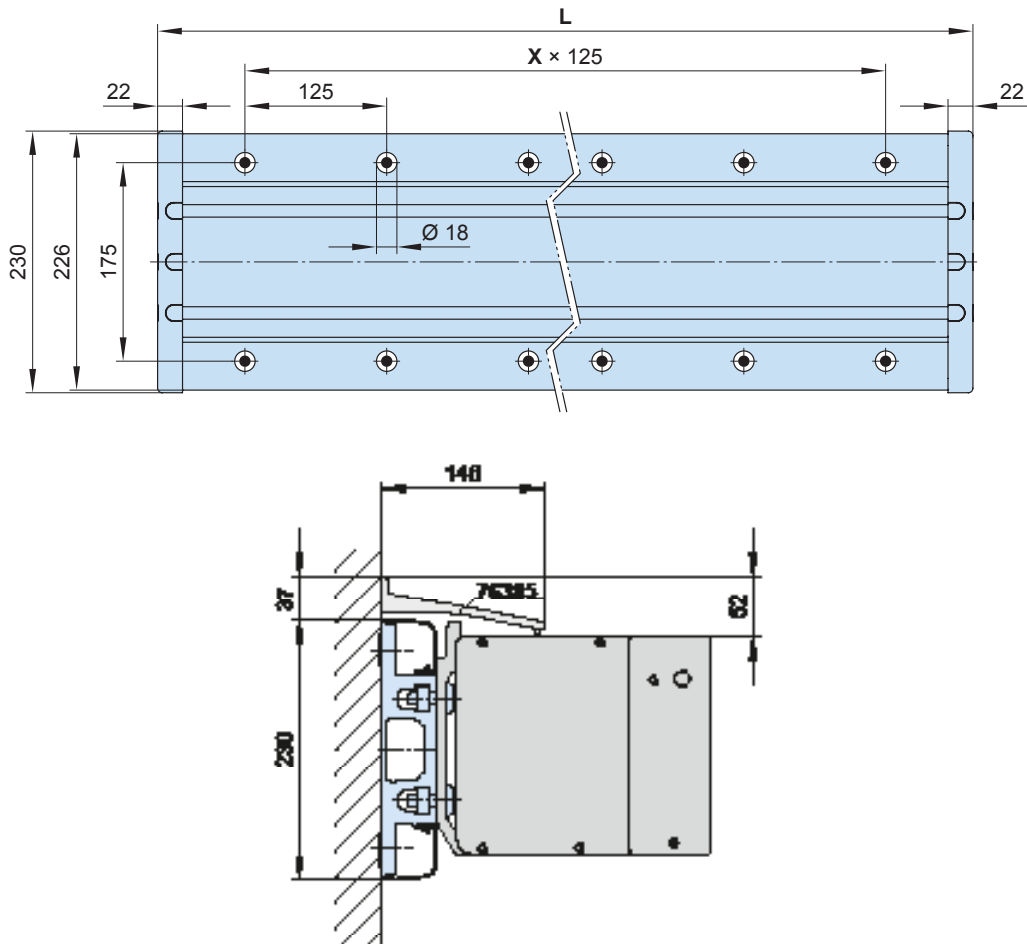
76385. and 704241.



side cover profile for wall sealing profile
left and right

60919. and 60920.

As a **continuous fixture profile** the markilux panel will always be supplied to order on the basis of a technical drawing prepared in the factory in accordance with the awning specification.



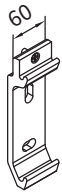
- 76385.** = wall sealing profile (standard width = awning width (M))
- L** = individual width, max. 7000 mm
- x** = fixing point separation, **by way of example**

dimensions in mm

01
02
03
04
05
06
07
08
09
10
11
12
13
14
15
16
17

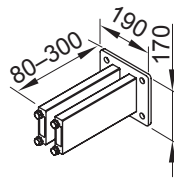
Face fixture with stand-off bracket

Fixtures, fittings and accessories



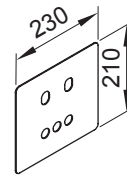
face fixture bracket
60 mm

71995.



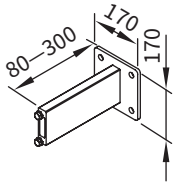
stand-off bracket
for two face fixture
bracket 71995.
80-300 mm
incl. insulating element

77968.



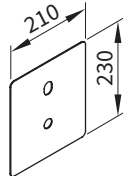
cover plate for spacer
plate and stand-off
brackets in the case of
external insulation
230 x 210 x 2 mm

71843.



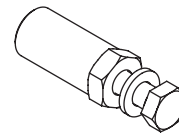
Stand-off bracket
for face fixture bracket
71995.
80-300 mm
incl. insulating element

77967.



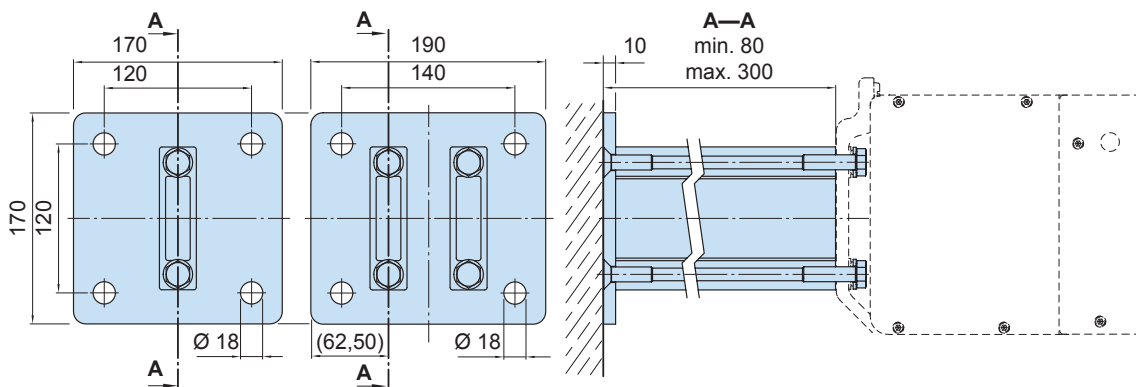
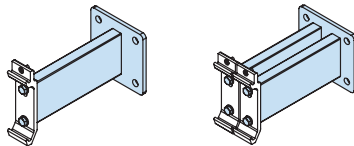
cover plate
for spacer plate and
stand-off brackets in
the case of external
insulation
210 x 230 x 2 mm

71844.



reduction bolt
pack 10 pcs

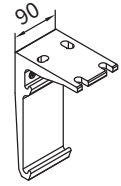
M 16 → M 12 | M 16 → M 10 | M 12 → M 10 | M 10 → M 10



dimensions in mm

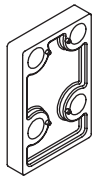
Top fixture

Fixtures, fittings and accessories



top fixture bracket
90 mm

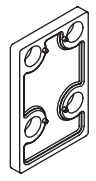
71651.



spacer plate for top
fixture
90 × 140 × 20 mm

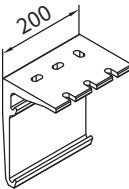
N.B!
Stack to a max. height
of 200 mm

716311



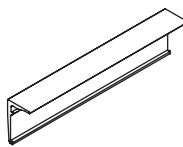
spacer plate
for top fixture
90 × 140 × 12 mm

716411



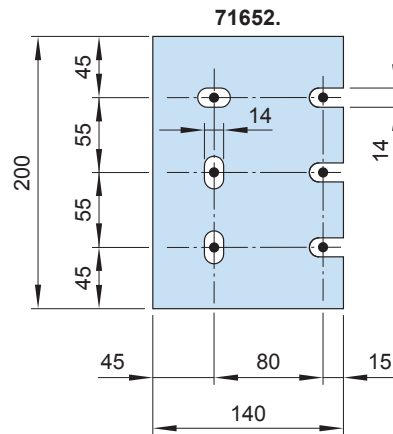
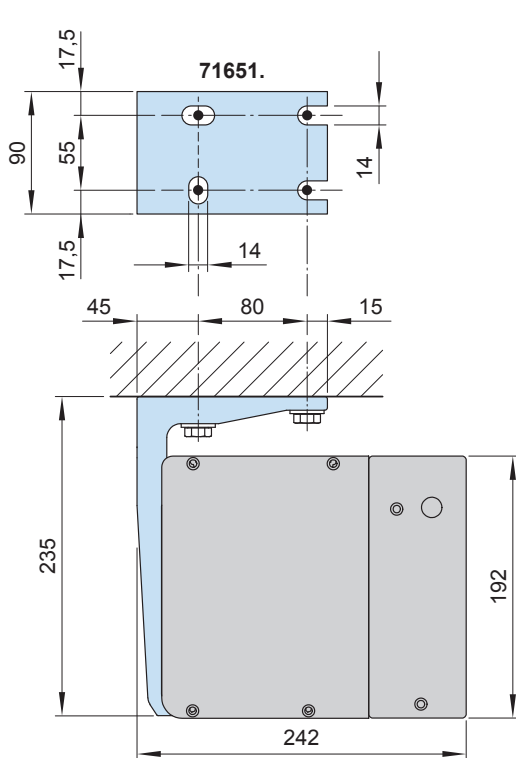
top fixture bracket
200 mm

71652.



top fixture bracket
profile
undrilled, by the metre

701635



dimensions in mm

01
02
03
04
05
06
07
08
09
10
11
12
13
14
15
16
17

Eaves fixture

Fixtures, fittings and accessories

eaves fixture bracket
90 mm

71898.

top fixture bracket
90 mm

71651.

eaves fixture bracket
90 mm

height of flat plate
150 mm

71612.

eaves fixture bracket
90 mm

height of flat plate
270 mm

71659.

angle and plate for
eaves fixture
height of plate 500 mm

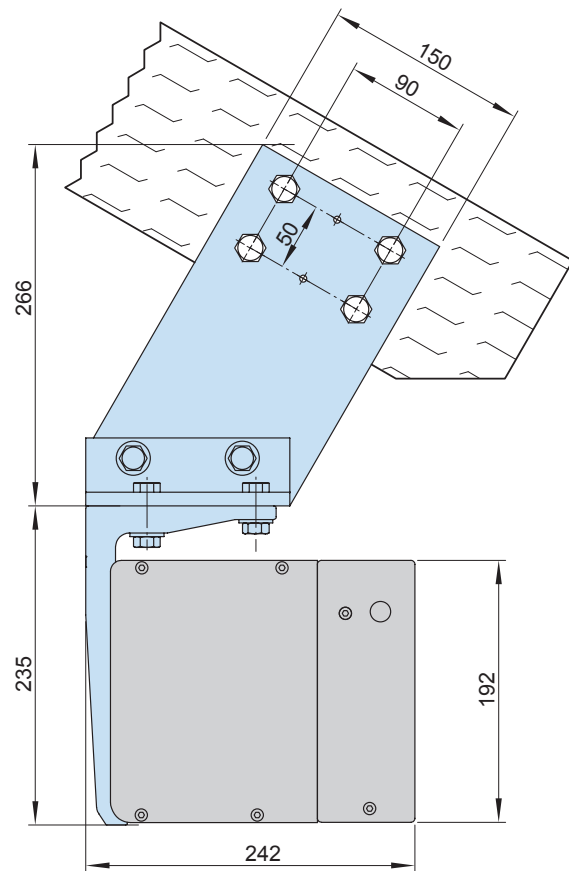
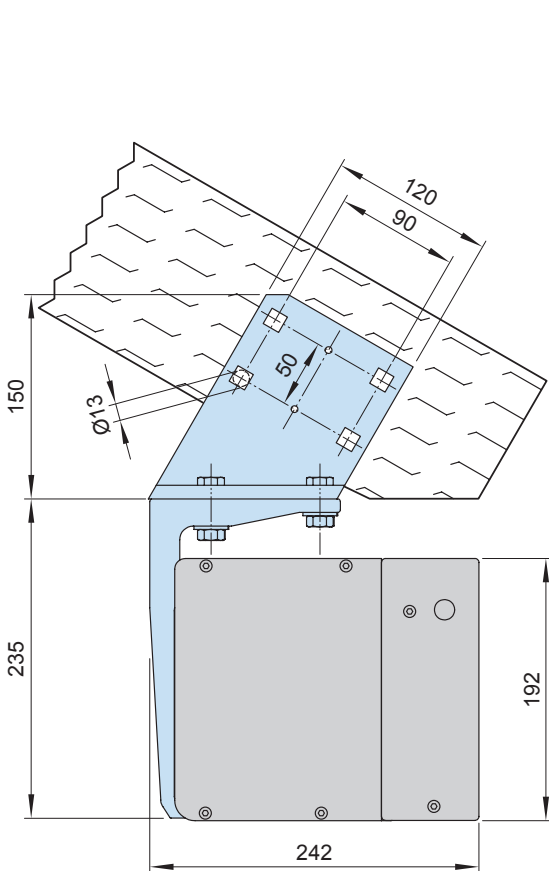
machine finish

716620

08

With eaves fixture bracket 150 mm (71612.)

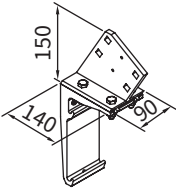
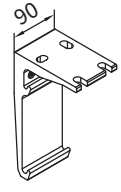
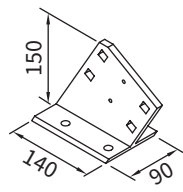
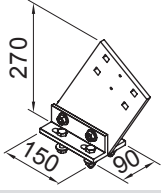
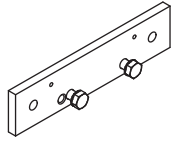
With eaves fixture bracket 270 mm (71659.)



dimensions in mm

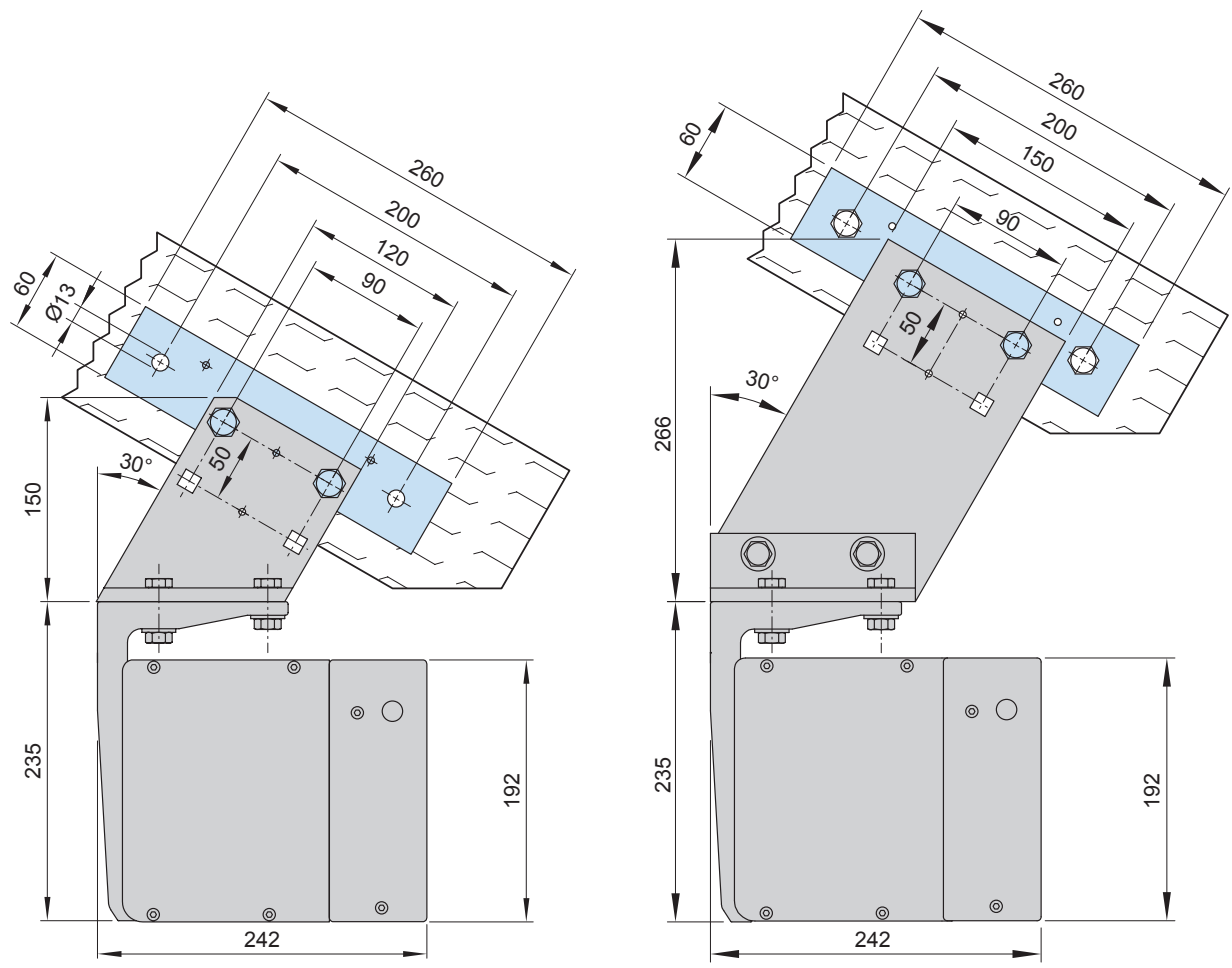
Eaves fixture with additional plate

Fixtures, fittings and accessories

 <p>eaves fixture bracket 90 mm</p> <p>71898.</p>	 <p>top fixture bracket 90 mm</p> <p>71651.</p>	 <p>eaves fixture bracket 90 mm</p> <p>height of flat plate 150 mm</p> <p>71612.</p>
 <p>eaves fixture bracket 90 mm</p> <p>height of flat plate 270 mm</p> <p>71659.</p>	 <p>supplementary flat plate for eaves fixture</p> <p>260 × 60 × 12 mm</p> <p>75383.</p>	

With eaves fixture bracket 150 mm (71612.)

With eaves fixture bracket 270 mm (71659.)

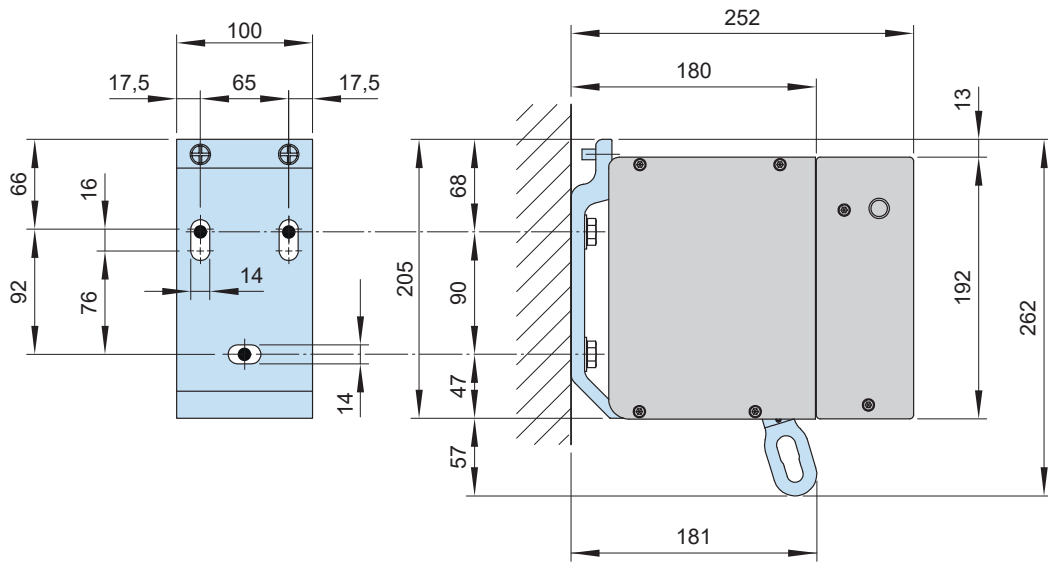


dimensions in mm

01
02
03
04
05
06
07
08
09
10
11
12
13
14
15
16
17

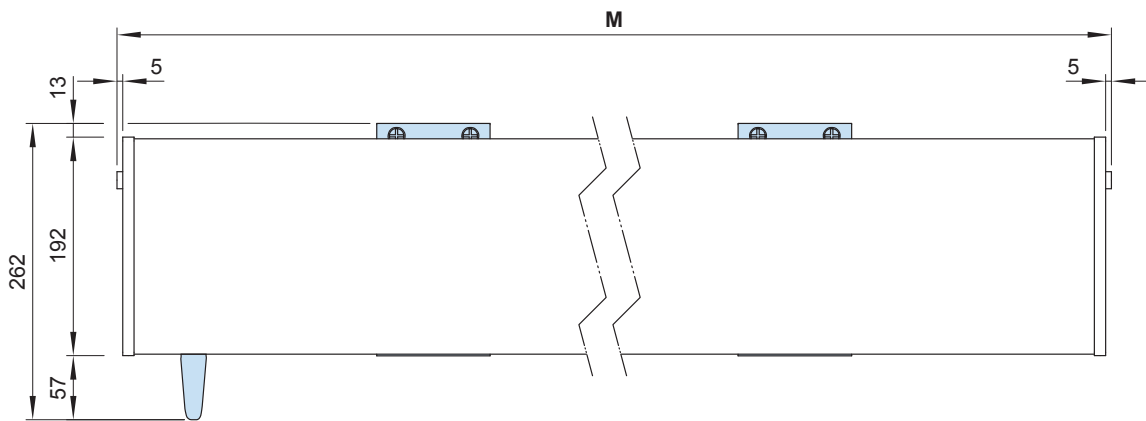
01 **Face fixture, manual operation**

02 Lateral view



08

14 Front view

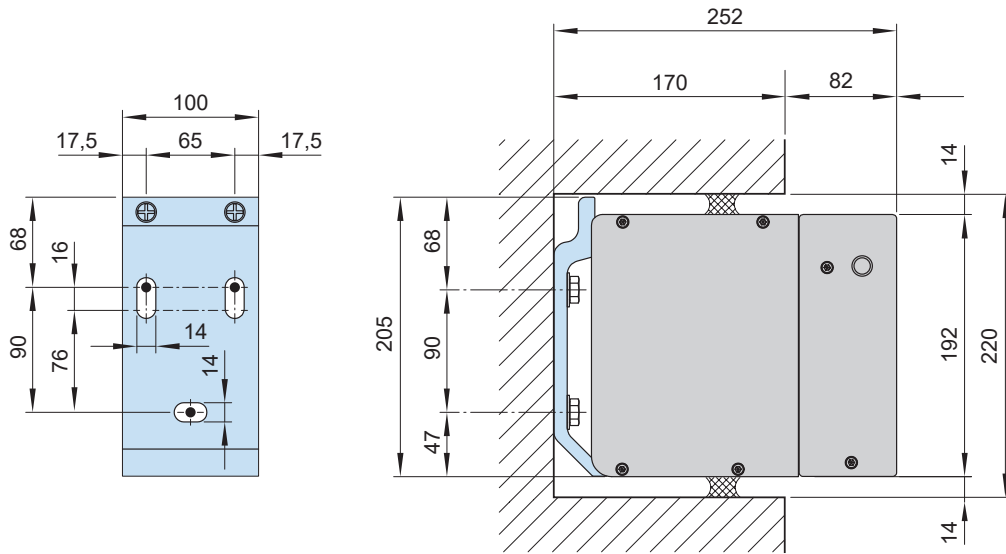


M = order dimension= overall awning width

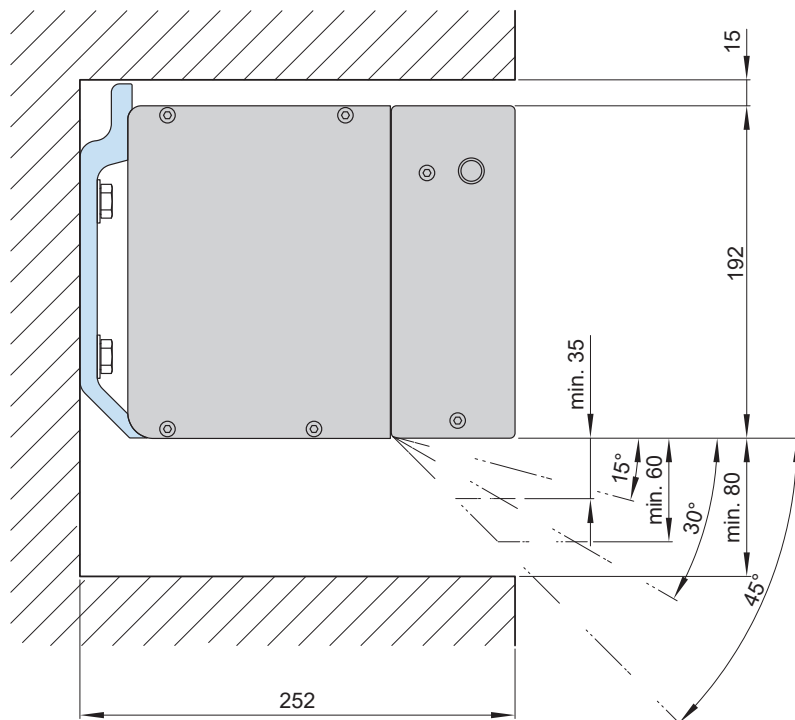
dimensions in mm

Reveal fixture

Front profile slightly open



Front profile flush



dimensions in mm

01
02
03
04
05
06
07
08
09
10
11
12
13
14
15
16
17

01 **Motor cable exit point**

02

03

04

05

06

07

08

09

10

11

12

13

14

15

16

17

