



Cassette awning

## markilux MX-3

The sturdy cassette awning with a slender figure and contrasting visual features from round to square.



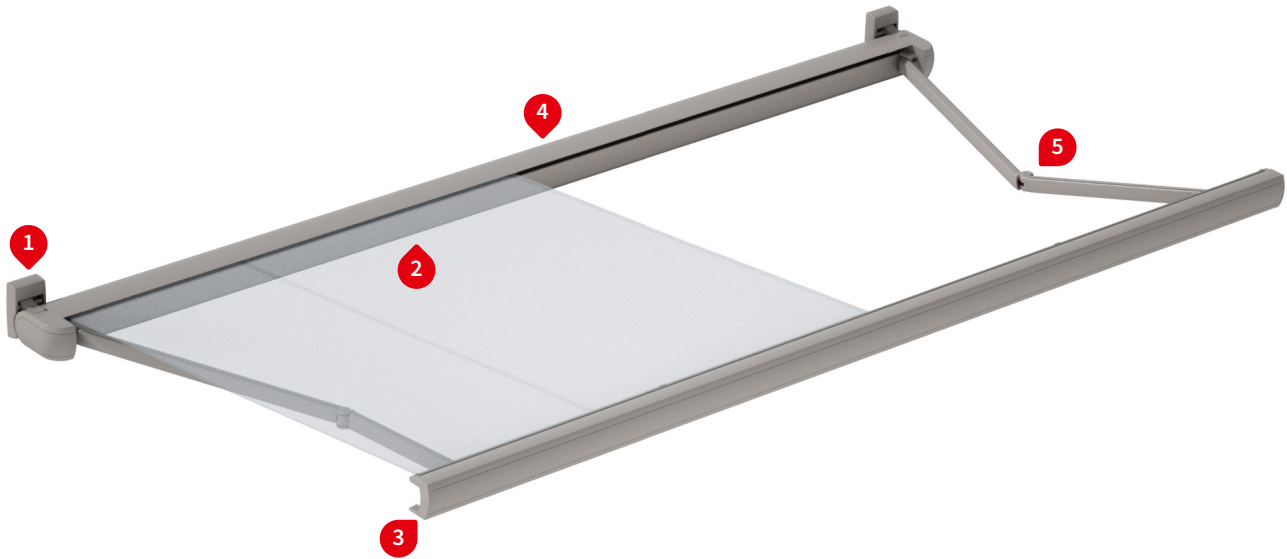
[markilux.com](https://www.markilux.com)

**markilux**  
safe timeless beautiful

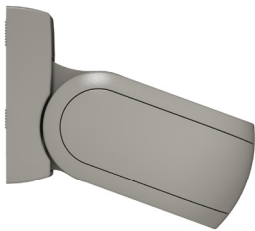
# Product Characteristics

Wind resistance class 2  
Beaufort 5 → 7.5–10.4 m/s → 28–37 km/h → 17–23 mph

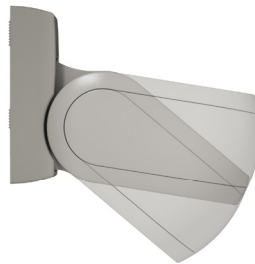
01  
02  
03  
04  
05  
06  
07  
08  
09  
10  
11  
12  
13  
14  
15  
16  
17



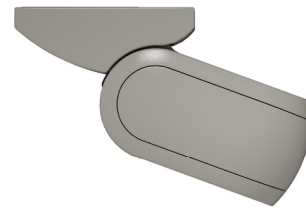
1) face fixture



1) face fixture, maximum pitch of 35°



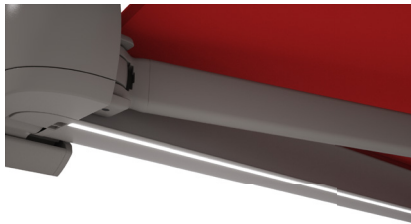
1) top fixture



1) top fixture, view from the rear



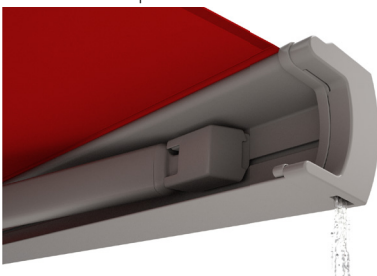
2) LED-Line in the cassette <sup>1)</sup>



2) LED-Spots underneath the cassette <sup>1)</sup>



3) unique water drainage system in the front profile



4) wall sealing profile <sup>1)</sup>



5) bionic tendon made of high-tech fibres for optimum power transference



1) Optional accessories

## Product Characteristics

### Description

- a slender, folding-arm full cassette awning exhibiting excellent technological features, which enables areas up to 6 m wide to be shaded

### Special features

- self-supporting cassette profile with the brackets installed at each end of the awning – therefore suitable for bridging larger distances
- cassette with arms situated in front and at each end, which – when the awning is closed – are encompassed fully by the front profile lending a harmonious overall appearance to the awning
- the cassette obscures the view of the roller tube when the awning is extended
- option of directional LED Line fitted to the underside of the cassette which provide an appealing atmosphere in the evening
- various screen profile and awning colours can be combined
- screen profile also available with exclusive coating in the Selection MX colour selection
- the brackets are hidden unobtrusively behind the awning

### Dimensions

- cassette in the standard version: depth 230 mm, height 120 mm
- single unit: minimum width 183 cm at the smallest projection of 150 cm, maximum width 500 cm at the largest projection of 350 cm or 600 cm at a maximum projection of 300 cm

### Roller tube and lateral bearings

- round roller tube Ø 85 mm with keyway, galvanised steel – excellent stability, ensures near perfect cover performance even at the largest widths
- the arm bearer is made of die-cast aluminium, powder coated, with integrated, infinitely variable pitch setting mechanism

### Awning profiles

- extruded aluminium, in façade quality, powder coated
- two-piece cassette with clever inner profile – providing the awning cover with optimum protection against the elements
- the lower cassette profile has a slot into which the LED Line can be recessed
- front profile, harmoniously rounded at the front with integrated gutter

### Folding arms

- profiles in extruded aluminium, in façade quality, powder coated
- moving parts made of drop-forged aluminium – the arms are therefore extremely fracture resistant
- pivot bolts in stainless steel run in Teflon-coated bronze bushes – practically maintenance free, virtually silent and extremely hard wearing
- power transference via the innovative bionic tendon at the elbow joint, made of high tensile, high-tech fibres – low in friction, noiseless, insensitive to corrosion and UV resistant

### End caps

- the end cap insert sections are made of high-quality plastic, powder coated or in a polished chrome finish
- the front profile end caps are made of high-quality plastic, powder coated, with water drainage holes

### Fixture brackets

- face fixture, top fixture, eaves fixture
- extruded aluminium, powder coated
- also available in individual widths (on request)
- including caps made of high quality plastic to cover the face or top fixture brackets and their fixture bolts
- pitch range 5°–35° (face fixture), or 5°–70° (top or eaves fixture)
- spacer plates, stand-off brackets and other accessories are available

01 **Frame, end cap insert and styling panel colours**

02 markilux frame colours without surcharge

03 traffic white, RAL 9016

04 metallic aluminium, RAL 9006

05 grey brown, similar to RAL 8019



06 off-white textured finish, 5233 <sup>1)</sup>

07 stone grey metallic, 5215 <sup>1)</sup>

08 anthracite metallic, 5204 <sup>1)</sup>



09 havana brown textured finish, 5229 <sup>1)</sup>



**Non-standard powder-coated finish**

Bespoke frame colours incur a surcharge – matt, metallic, finely textured and pearl finishes as well as other colour ranges (DB, Tiger etc.) on request. All frame colours are available at a surcharge with enhanced corrosion protection.

Colours may differ slightly from those depicted in both hue and finish.

<sup>1)</sup> textured finish

14 **Combination options**

15 All standard styling panel colours can be combined at will with the standard frame colours <sup>2)</sup>

16 **Frame** stone grey metallic, 5215  
**Styling panel / end cap insert** anthracite metallic, 5204

17 **Frame** off-white textured finish, 5233  
**Styling panel / end cap insert** anthracite metallic, 5204



**Frame** traffic white, RAL 9016  
**Styling panel / end cap insert** metallic aluminium, RAL 9006

**Frame** anthracite metallic, 5204  
**Styling panel / end cap insert** stone grey metallic, 5215



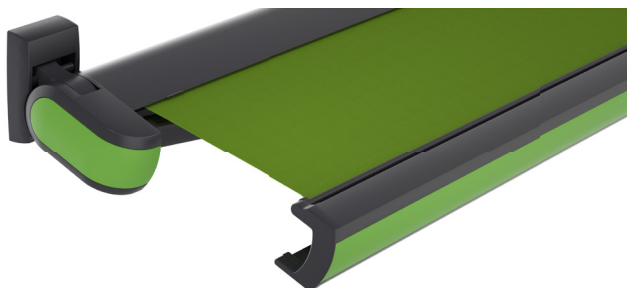
Colours may differ slightly from those depicted in both hue and finish.

<sup>2)</sup> Illustrations by way of example; The styling panel and end cap insert colours must be the same colour.

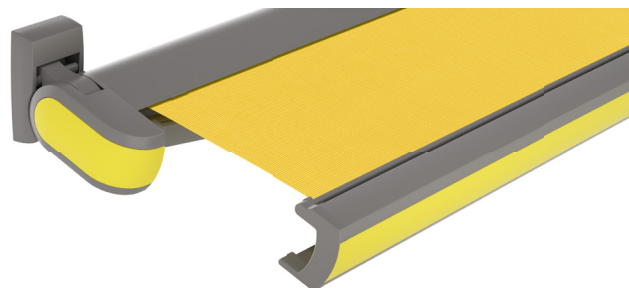
## Additional styling panel and end cap insert colours

The additional styling panel colours can be combined at will with all the standard frame colours <sup>1)</sup>

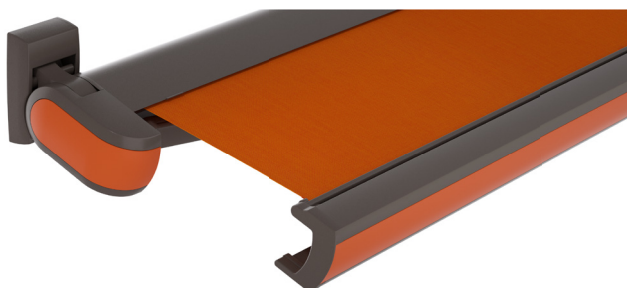
**Styling panel / end cap insert** yellow green, RAL 6018  
**Frame** anthracite metallic 5204  
**Awning cover** 314 86



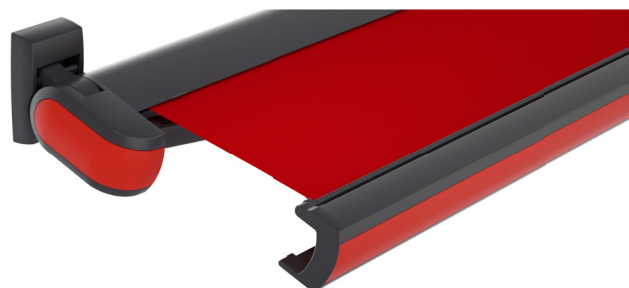
**Styling panel / end cap insert** sulphur yellow, RAL 1016  
**Frame** stone grey metallic, 5215  
**Awning cover** 309 01



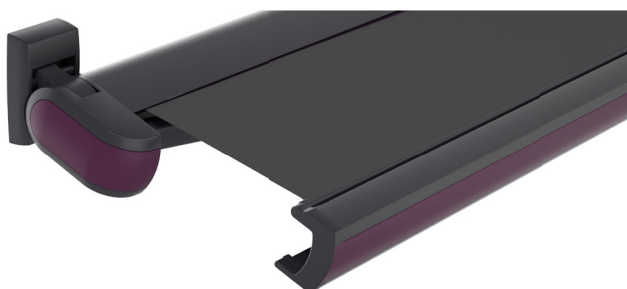
**Styling panel / end cap insert** red orange, RAL 2001  
**Frame** havana brown textured finish, 5229  
**Awning cover** 309 12



**Styling panel / end cap insert** traffic red, RAL 3020  
**Frame** anthracite metallic 5204  
**Awning cover** 411 30



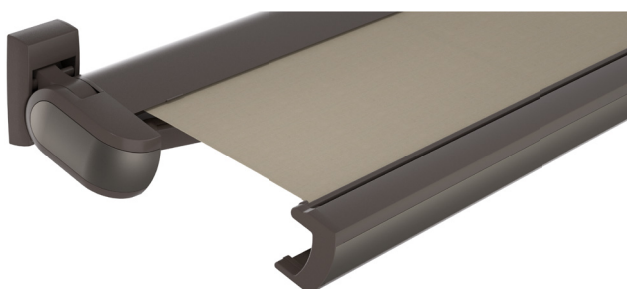
**Styling panel / end cap insert** purple violet, RAL 4007  
**Frame** anthracite metallic, 5204  
**Awning cover** 315 97



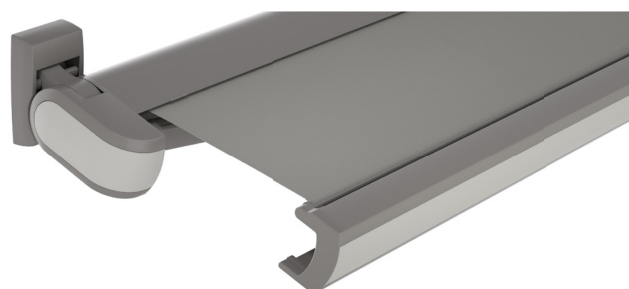
**Styling panel / end cap insert** pearl white, RAL 1013  
**Frame** off-white textured finish, 5233  
**Awning cover** 309 37



**Styling panel / end cap insert** pearl mouse grey, RAL 7048  
**Frame** havana brown textured finish, 5229  
**Awning cover** 314 87



**Styling panel / end cap insert** agate grey, RAL 7038  
**Frame** stone grey metallic, 5215  
**Awning cover** 315 92



Colours may differ slightly from those depicted in both hue and finish.

<sup>1)</sup> depictions by way of example; The fabric and styling panel in a matching colour; styling panel and end cap insert colours must be the same colour.

01  
02  
03  
04  
**05**  
06  
07  
08  
09  
10  
11  
12  
13  
14  
15  
16  
17

## Additional Selection MX front panel colours

Recommended colour combinations <sup>2)</sup>

**SMX-01** Copper green with patina  
**Frame** anthracite metallic, 5204  
**Awning cover** 310 58



**SMX-02** Brass with dark patina  
**Frame** off-white textured finish, 5233  
**Awning cover** 309 07



**SMX-03** Bronze dark-patinated  
**Frame** havana brown textured finish, 5229  
**Awning cover** 313 87



**SMX-04** Matt black / silver effect lacquer  
**Frame** anthracite metallic, 5204  
**Awning cover** 310 28



**SMX-05** Matt white/silver special effect lacquer  
**Frame** off-white textured finish, 5233  
**Awning cover** 310 09



**SMX-06** Silver grey special effect lacquer  
**Frame** stone grey metallic, 5215  
**Awning cover** 310 18



**SMX-07** Amber orange metallic matt  
**Frame** havana brown textured finish, 5229  
**Awning cover** 314 83



**SMX-08** Pebble beige metallic matt  
**Frame** off-white textured finish, 5233  
**Awning cover** 314 87



**SMX-09** Ruby red metallic matt  
**Frame** anthracite metallic 5204  
**Awning cover** 421 30



**SMX-10** Emerald green metallic matt  
**Frame** Havana brown textured finish 5229  
**Awning cover** 411 61



### Notes with regard to selecting colours from the markilux Selection MX range

Every front panel finished in a coating from the Selection MX range is unique. In a complex procedure, an exclusive look is created by using several layers of lacquer. During this process, the resulting colour and colour texture are influenced by different factors.



For technical reasons, a slight two-tone effect, variations in the degree of gloss and colour hue as well as small variations in colour between subsequent coats of paint in the same tone may be in evidence. The colour texture is always unique, particularly in the case of multi-layered coatings. The compound colour tone SMX-10 Emerald green metallic is an interference colour, which has an iridescent effect depending on the light incidence and the viewing angle.

You are free to combine any Selection MX front panel colour with any frame colour. Colours may differ slightly from those depicted in both hue and finish.

<sup>2)</sup> Illustrations by way of example; The styling panel and end cap insert colours must be the same colour.


# Dimensions and configuration options


## Single unit

	Awning width								Minimum width	
	250	300	350	400	450	500	550	600	Motor	Crank handle
<b>Order dimensions</b>	183 250	251 300	301 350	351 400	401 450	451 500	501 550	551 600		
<b>H</b>	150 200 250 300 350	1) 1) — — —	— — 1) — —	— — — 1) —	— — — — 1)	— — — — —	— — — — —	— — — — —	191 233 283 333 383	183 233 283 333 383

dimensions in cm

1) = please note the minimum widths!  
H = projection

 = 2 folding arms,  
2 brackets

 = 2 standard arms

### Operation

	standard	optional
crank handle	✓	—
spring-assisted crank handle	—	✓
hard-wired motor	—	✓
silentec motor (optionally with external radio receiver io / RTS)	—	—
radio-controlled motor io, 868 MHz	—	✓
radio-controlled motor RTS, 433 MHz	—	✓
868 MHz radio-controlled motor io with manual override	—	—

### Coupled awnings

not available

### Awning cover

	fabric pattern no.	standard	optional
sunvas	300.. - 315..	✓	—
sunsilk	324.. / 325.. / 328.. / 369..	✓	—
sunbow <sup>1)</sup>	411.. - 427..	✓	—
smart art	340..	—	✓
perla FR	371.. / 372..	—	✓

1) up to max. 300 cm projection available

### Shadeplus

not available

01 **Optional accessories**

02 LED-Line in the cassette

03 LED-Spots underneath the cassette

04 wall sealing profile, up to a pitch of 35°

05 infrared heater 2500 W

06 infrared heater 2500 W with integrated radio-controlled receiver 868 MHz radio-controlled io

07 automatic controls (light, wind, rain)

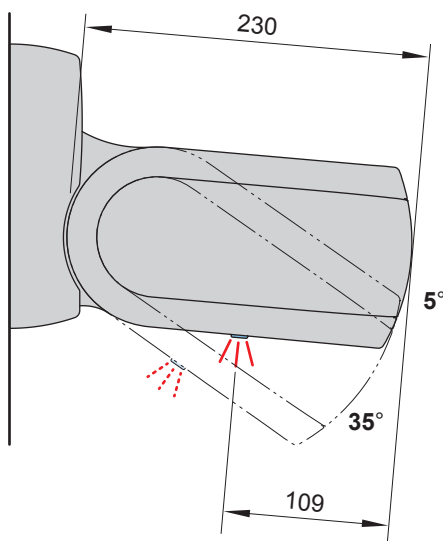
08 N.B. Important background information can be found in the chapter "Optional Accessories".

**Fixture options**

face fixture bracket with cover, left 100 mm	75885.
face fixture bracket with cover, right 100 mm	75886.
face fixture bracket left, 300 mm	75877.
face fixture bracket right, 300 mm	75878.
spreader plate A 430 × 160 × 12 mm	73466.
spreader plate B 300 × 400 × 12 mm	73465.
markilux panel 250 × 230 × 49 mm	76308.
markilux panel continuous	701104
stand-off bracket 80–300 mm for face fixture bracket 100 mm	72872.
stand-off bracket for 300 mm face fixture brackets	77968.
top fixture bracket with cover, left 100 mm	75887.
top fixture bracket with cover, right 100 mm	75888.
eaves fixture bracket 150 mm plate	75889.
eaves fixture bracket 90 mm plate, 270 mm plate	71659.
flat plate and angled bracket for eaves fixture, machine finish aluminium, 500 mm	741290
spreader plate 260 × 60 × 12 mm for eaves fixture bracket	75383.

13 **Lighting options**

14 **LED-Line in the cassette**



**Technical specification**

operating voltage	230 V, 50 Hz
power output per metre	10 W / metre
number of LEDs per metre	120 LEDs / metre
light source	LED (12 V)
number of transformers	1 unit
light temperature	warm white
IP protection class	IP 44
service life	approx. 15.000 h

**Controls**

	standard	optional
radio-controlled dimmer io 868 MHz	✓	—
radio-controlled dimmer RTS 433 MHz	✓	—

**Electrical connection**

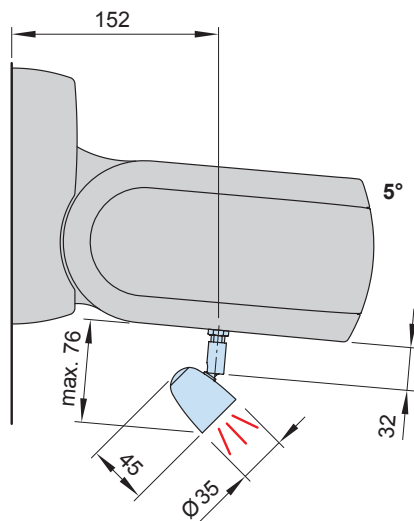
power supply cable with open end H05RN-F 3G1 (3 × 1 mm <sup>2</sup> )
---

dimensions in mm



# Lighting options

Directional LED spotlights underneath the cassette



dimensions in mm

### Technical specification

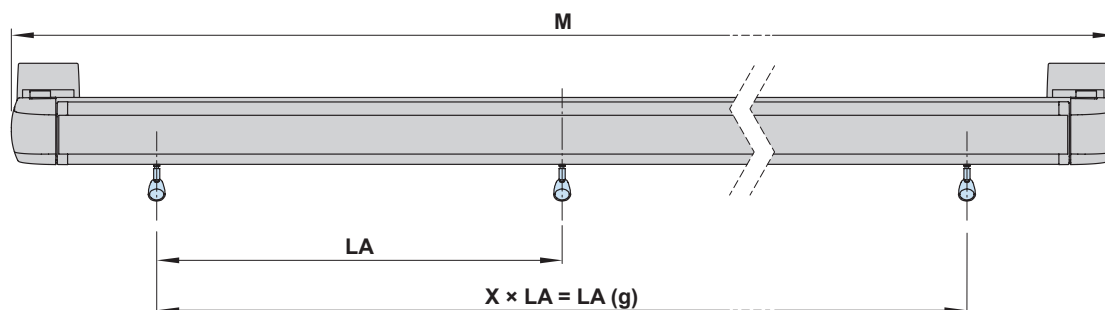
operating voltage	230 V, 50 Hz
Leistung eines LED-Spots	5 W
light source	LED (12 V)
number of transformers	1 unit
light temperature	warm white
IP protection class	IP 44
service life	approx. 20.000 h

### Controls

	standard	optional
radio-controlled dimmer io 868 MHz	✓	—
radio-controlled dimmer RTS 433 MHz	✓	—

### Electrical connection

power supply cable with open end H05RN-F 3G1 (3 × 1 mm <sup>2</sup> )
--



Awning width	No. of spotlights	LA	LA (g)
195-250	3	75	150
251-300	3	98	196
301-350	3	98	196
351-400	4	98	294
401-450	4	98	294
451-500	5	98	392
501-550	5	98	392
551-600	6	98	490

dimensions in cm

- LA (g) = distance between the spotlights (total)
- M = **order dimension** = awning width
- X = number of distances between the spots (depends on size)

dimensions in cm

## No. of brackets | No. of fixing points

		Overall awning width							
		250	300	350	400	450	500	550	600
Order dimensions		195	251	301	351	401	451	501	551
		250	300	350	400	450	500	550	600
		No. of brackets   No. of fixing points							
<b>05</b>	<b>W</b>	<b>BHT</b>	<b>10</b>						
			2   6						
	<b>BP</b>		A 2   16 B 2   8						
	<b>PA</b>		2   8						
	<b>DA / DE</b>		10						
			2   8						

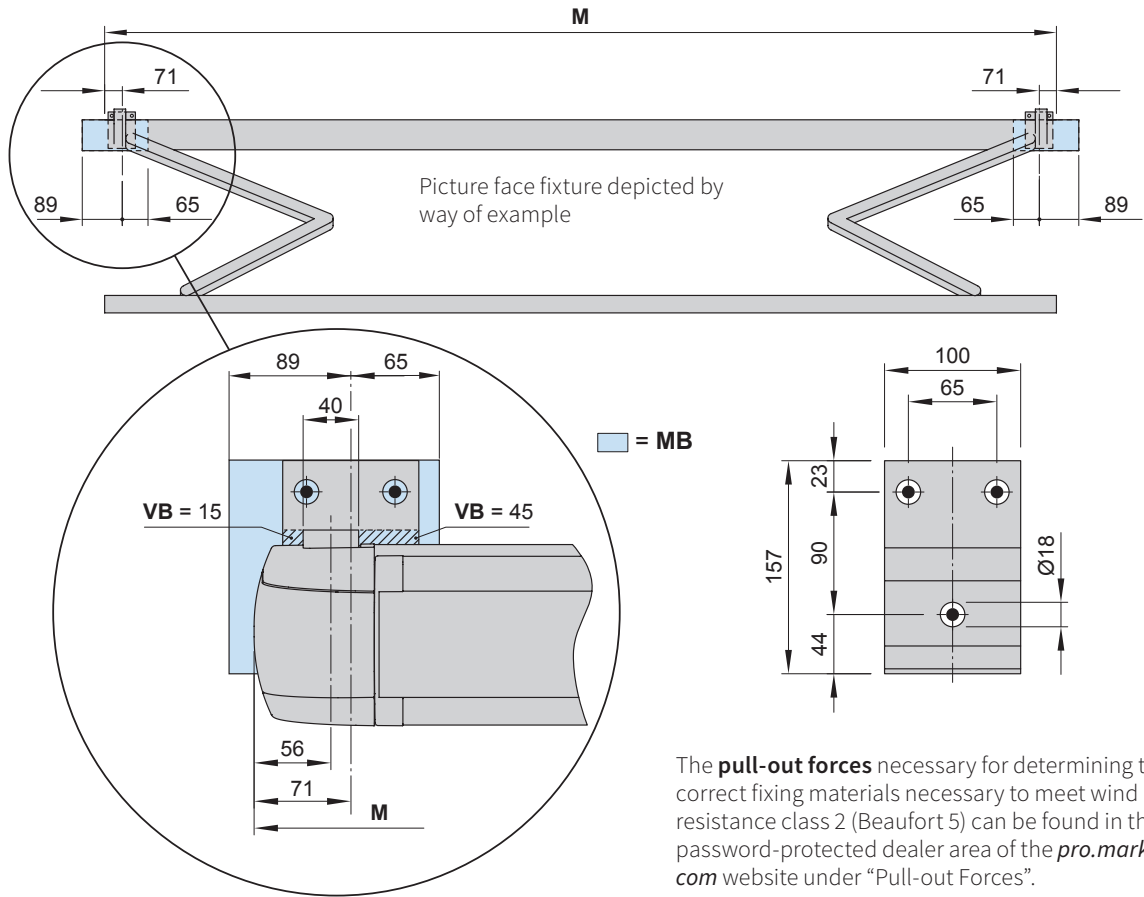
dimensions in cm

The **pull-out forces** necessary for determining the correct fixing materials necessary to meet wind resistance class 2 (Beaufort 5) can be found in the password-protected dealer area of the [pro.markilux.com](http://pro.markilux.com) website under "Pull-out Forces".

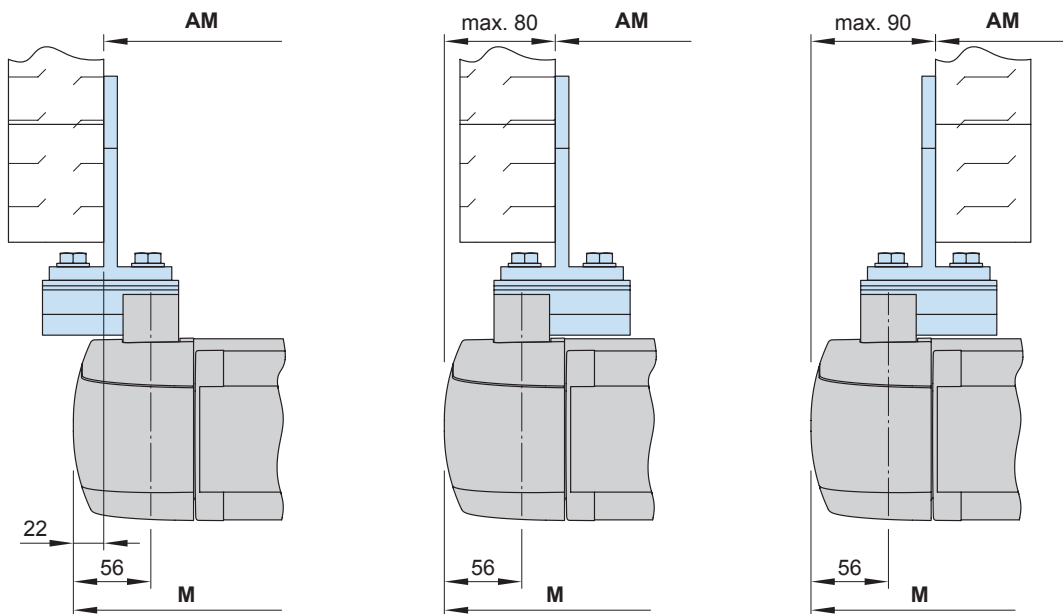
- BHT** = bracket width
- BP** = spreader plate (**A** or **B**)
- DA** = eaves fixture brackets
- DE** = top fixture brackets
- PA** = markilux panel, fixture profile, width 250 mm
- W** = face fixture brackets

# Bracket fixture range

## Face and top fixture



## Eaves fixture



- AM = installation dimensions
- M = **order width** = awning width
- MB = bracket fixture range
- VB = adjustment range, face fixture bracket

dimensions in mm

01  
02  
03  
04  
**05**  
06  
07  
08  
09  
10  
11  
12  
13  
14  
15  
16  
17

01 **Face fixture**

02 **Fixtures, fittings and accessories**

03

04

05

06

07

08

09

10

11

12

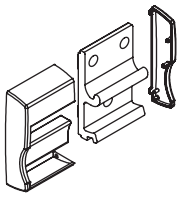
13

14

15

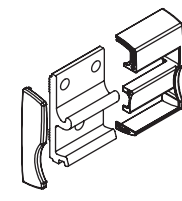
16

17



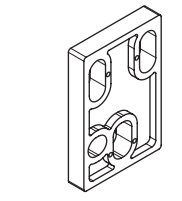
face fixture bracket cover cap left  
100 mm

**75885.**



face fixture bracket cover cap right  
100 mm

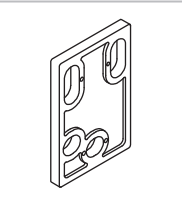
**75886.**



spacer plate  
100 × 150 × 20 mm

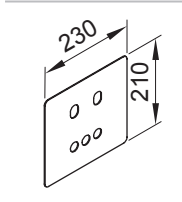
**N.B.!**  
Stack to a max. height of 200 mm

**758831**



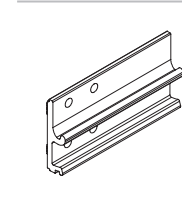
spacer plate  
100 × 150 × 12 mm

**758841**



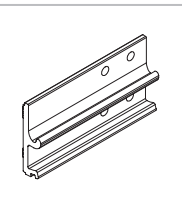
cover plate for spacer plate and stand-off brackets in the case of external insulation  
230 × 210 × 2 mm

**71843.**



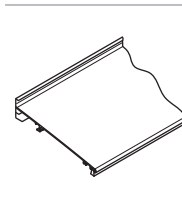
face fixture bracket left  
300 mm

**75877.**



face fixture bracket right  
300 mm

**75878.**



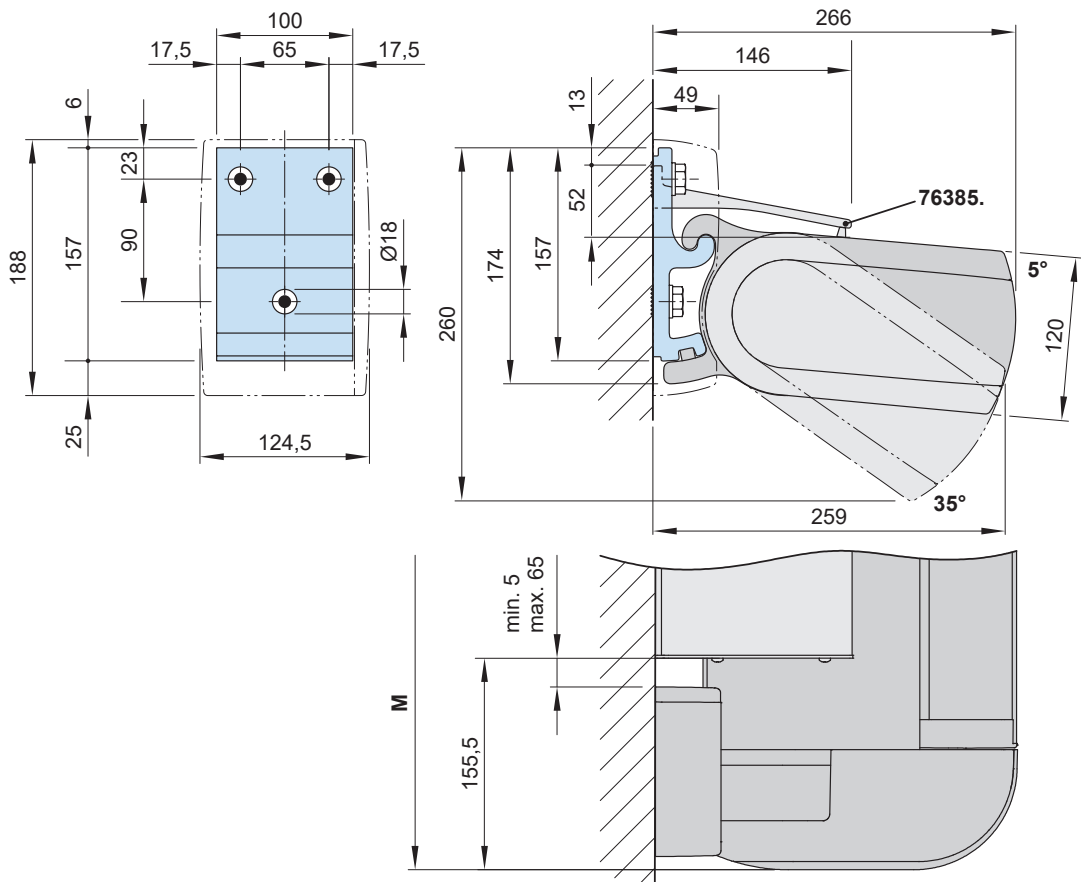
wall sealing profile incl. brush seal  
by the metre

**76385. and 704241.**



side cover profile for wall sealing profile  
left and right

**60919. and 60920.**

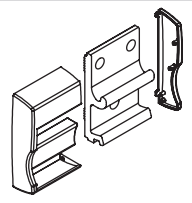
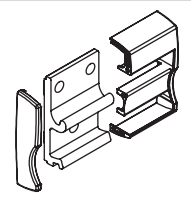
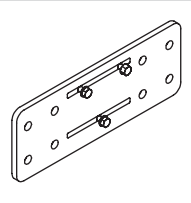
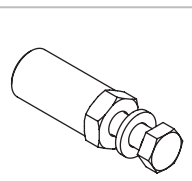
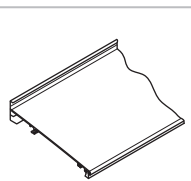
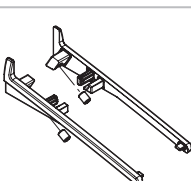
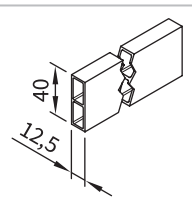


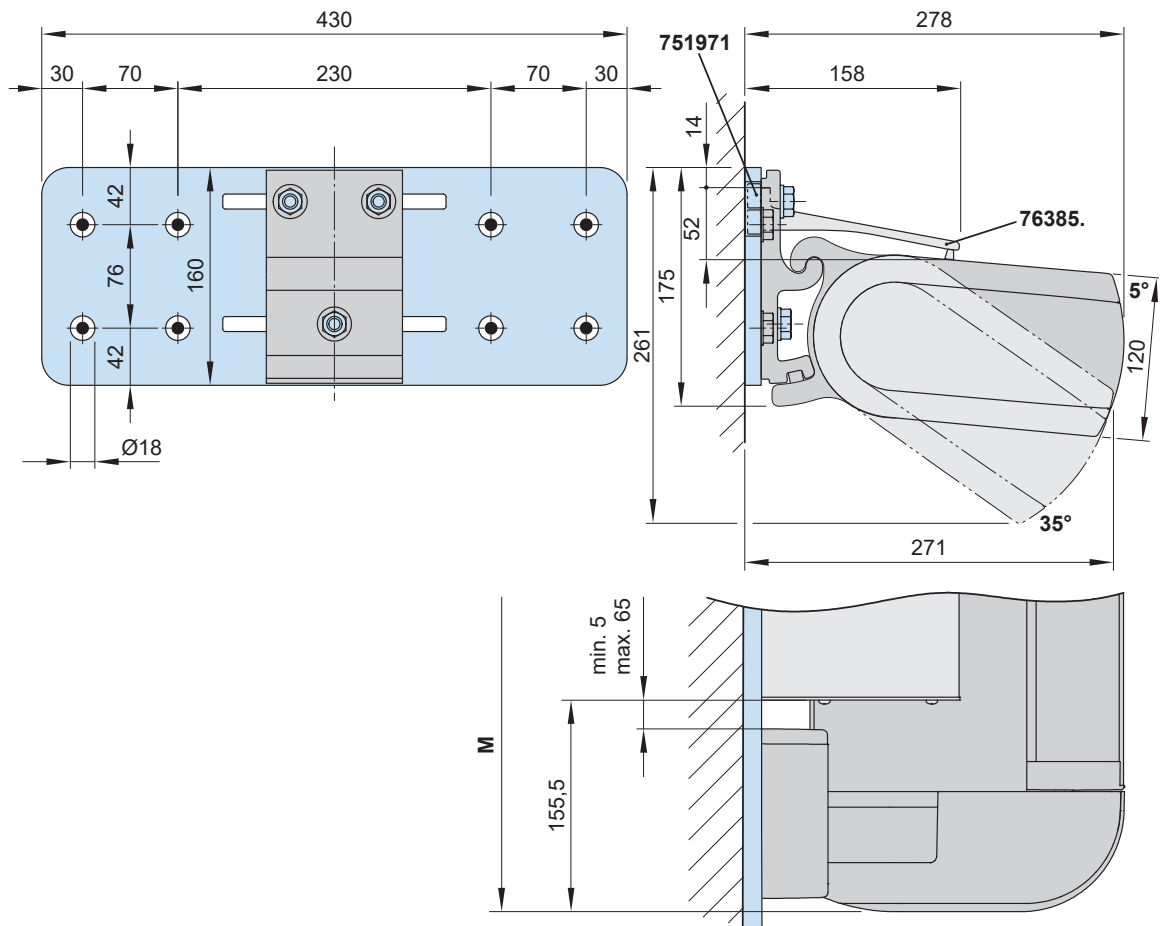
**76385.** = wall sealing profile (standard width = awning width (M) - 311 mm; up to a maximum awning pitch of 35°)  
**M** = **order width** = awning width

dimensions in mm

# Face fixture with spreader plate A

Fixtures, fittings and accessories

 <p>face fixture bracket cover cap left 100 mm</p> <p><b>75885.</b></p>	 <p>face fixture bracket cover cap right 100 mm</p> <p><b>75886.</b></p>	 <p>spreader plate A face fixture 430 x 160 x 12 mm</p> <p><b>73466.</b></p>
 <p>reduction bolt pack 10 pcs</p> <p>M 16 → M 12   M 16 → M 10   M 12 → M 10   M 10 → M 10</p>	 <p>wall sealing profile incl. brush seal by the metre</p> <p><b>76385. and 704241.</b></p>	 <p>side cover profile for wall sealing profile left and right</p> <p><b>60919. and 60920.</b></p>
 <p>stand-off strip for wall sealing by the metre</p> <p>40 12,5</p> <p><b>751971</b></p>		



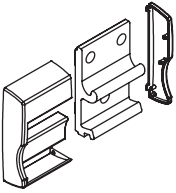
- 751971** = stand-off strip for wall sealing profile
- 76385.** = wall sealing profile (standard width = awning width (M) - 311 mm; up to a maximum awning pitch of 35°)
- M** = **order width** = awning width

dimensions in mm

01  
02  
03  
04  
**05**  
06  
07  
08  
09  
10  
11  
12  
13  
14  
15  
16  
17

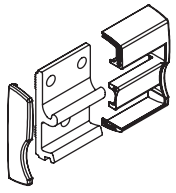
# Face fixture with spreader plate B

## Fixtures, fittings and accessories



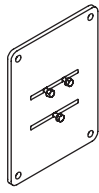
face fixture bracket cover cap left  
100 mm

**75885.**



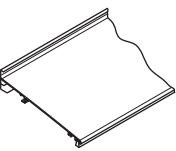
face fixture bracket cover cap right  
100 mm

**75886.**



spreader plate B  
300 × 400 × 12 mm

**73465.**



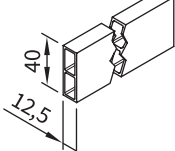
wall sealing profile incl. brush seal  
by the metre

**76385. and 704241.**



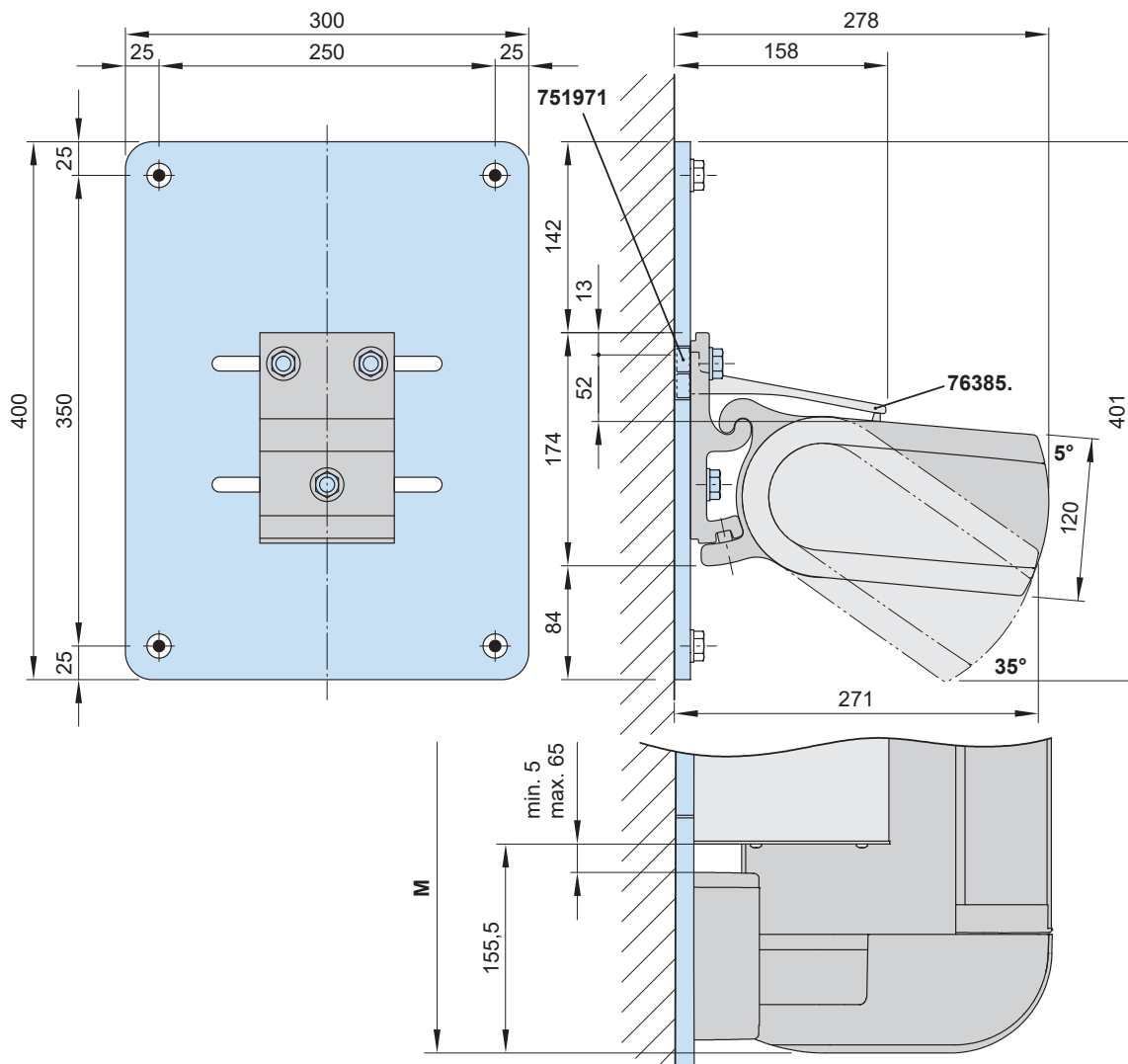
side cover profile for wall sealing profile  
left and right

**60919. and 60920.**



stand-off strip for wall sealing  
by the metre

**751971**



**751971** = stand-off strip for wall sealing profile

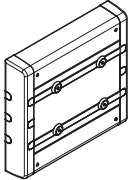
**76385.** = wall sealing profile (standard width = awning width (M) – 311 mm; up to a maximum awning pitch of 35°)

**M** = order width = awning width

dimensions in mm

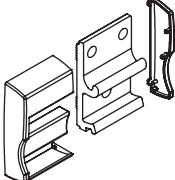
# Face fixture using the markilux panel 250 mm wide

Fixtures, fittings and accessories



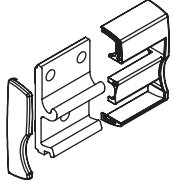
markilux panel  
250 × 230 × 49 mm  
with decorative profiles  
and end caps

**76308.**



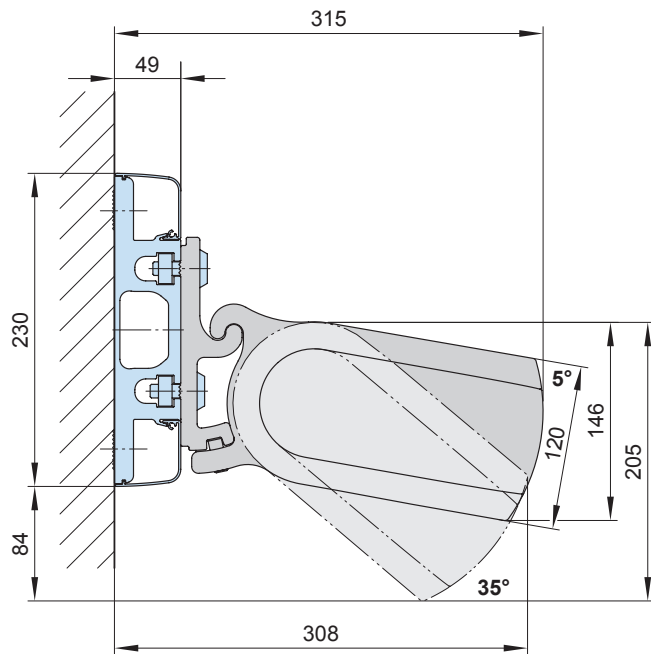
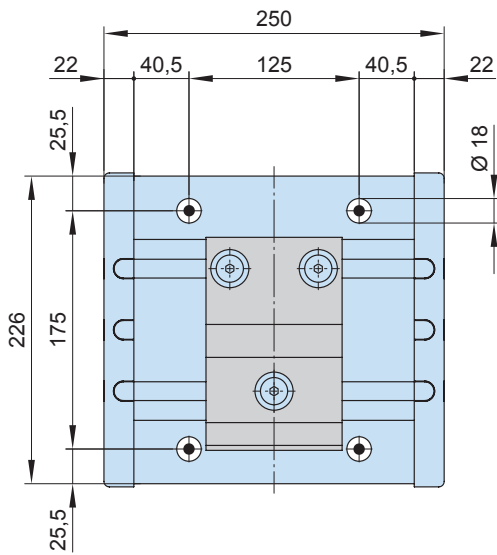
face fixture bracket  
cover cap  
left  
100 mm

**75885.**



face fixture bracket  
cover cap  
right  
100 mm

**75886.**

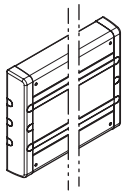


dimensions in mm

01  
02  
03  
04  
**05**  
06  
07  
08  
09  
10  
11  
12  
13  
14  
15  
16  
17

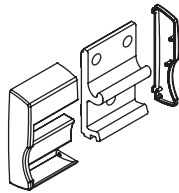
# 01 Face fixture with markilux panel continuous

## 02 Fixtures, fittings and accessories



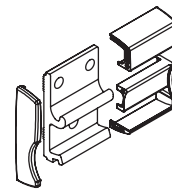
markilux panel continuous  
with decorative profiles and end caps

05 **701104**



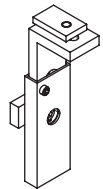
face fixture bracket cover cap left  
100 mm

**75885.**



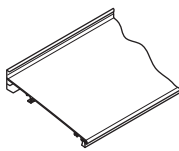
face fixture bracket cover cap right  
100 mm

**75886.**



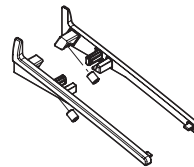
bracket wall sealing profile small

**76468.**



wall sealing profile incl. brush seal by the metre

**76385. and 704241.**

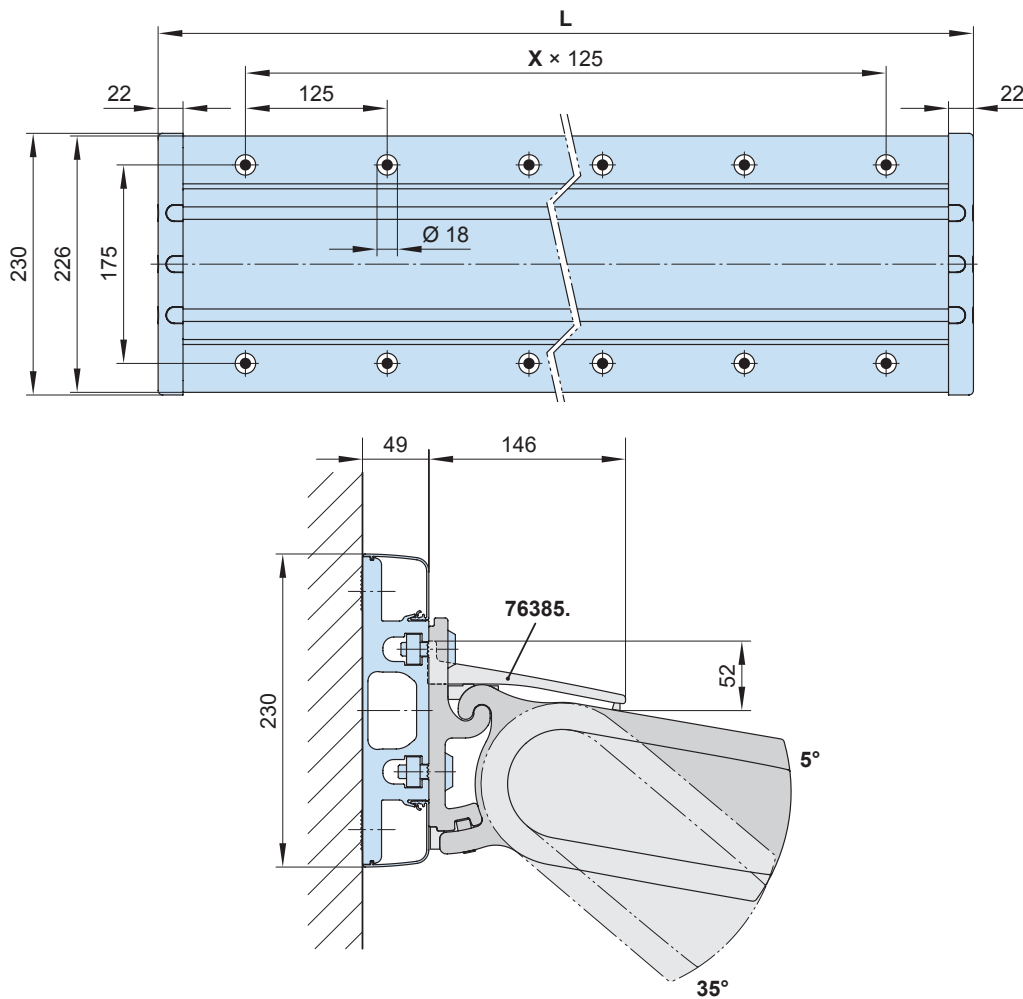


side cover profile for wall sealing profile left and right

**60919. and 60920.**

10 As a **continuous fixture profile**, the markilux panel will always be supplied to order on the basis of a technical drawing prepared in the factory in accordance with the awning specification.

11 The technical drawing shows the fixture points and pull-out forces and must be approved in writing.



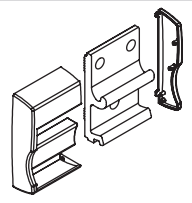
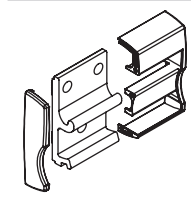
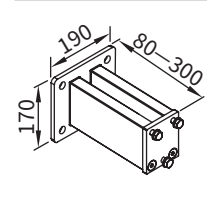
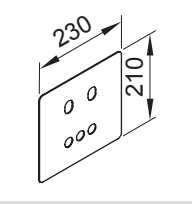
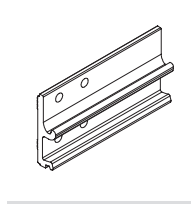
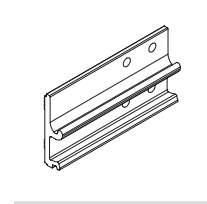
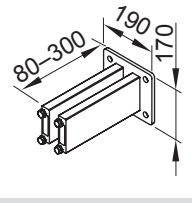
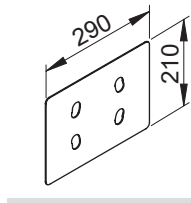
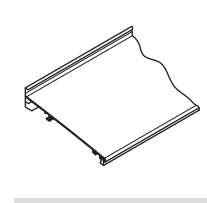
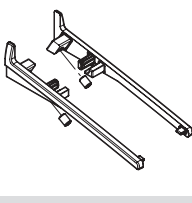
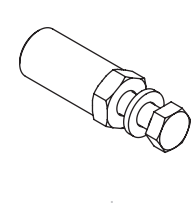
- 76385.** = wall sealing profile (standard width = awning width (M) - 311 mm; up to a maximum awning pitch of 35°)
- L** = individual width, max. 7000 mm, (standard  $L = M + 20$  mm)
- X** = number of distances between the spots (depends on size)

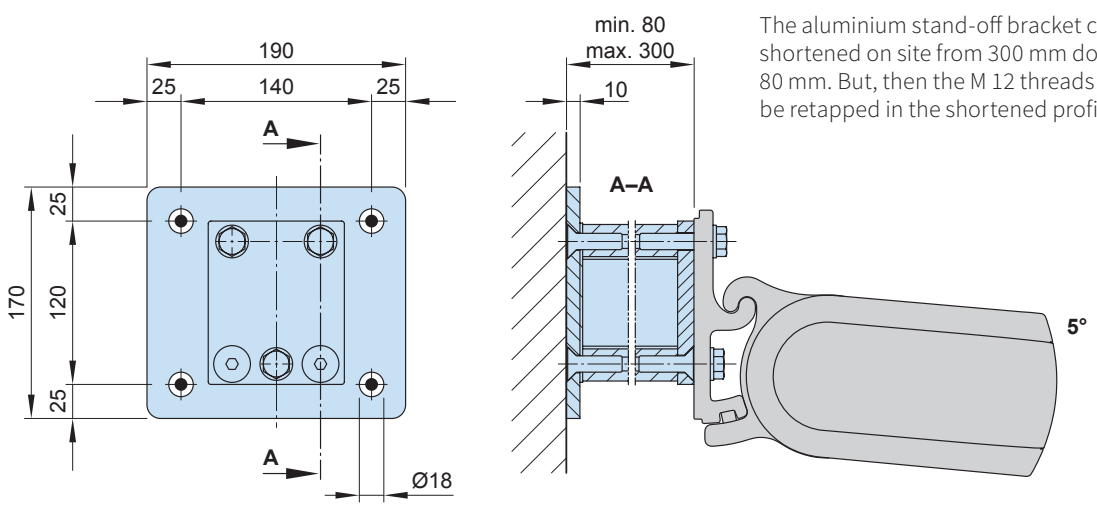
dimensions in mm



# Face fixture with stand-off bracket

Fixtures, fittings and accessories

 <p>face fixture bracket cover cap left 100 mm</p> <p><b>75885.</b></p>	 <p>face fixture bracket cover cap right 100 mm</p> <p><b>75886.</b></p>	 <p>stand-off bracket 80-300 mm for face fixture bracket 100 mm incl. insulating element</p> <p><b>72872.</b></p>
 <p>cover plate for spacer plate and stand-off brackets in the case of external insulation 230 × 210 × 2 mm</p> <p><b>71843.</b></p>	 <p>face fixture bracket left 300 mm</p> <p><b>75877.</b></p>	 <p>face fixture bracket right 300 mm</p> <p><b>75878.</b></p>
 <p>Stand-off bracket for face fixture bracket 75877. and 75878. 80-300 mm incl. insulating element</p> <p><b>77968.</b></p>	 <p>cover plate for spacer plate and stand-off brackets in the case of external insulation 290 × 210 × 2 mm</p> <p><b>71841.</b></p>	 <p>wall sealing profile incl. brush seal by the metre</p> <p><b>76385. and 704241.</b></p>
 <p>side cover profile for wall sealing profile left and right</p> <p><b>60919. and 60920.</b></p>	 <p>reduction bolt pack 10 pcs</p> <p>M 16 → M 12   M 16 → M 10   M 12 → M 10   M 10 → M 10</p>	



The aluminium stand-off bracket can be shortened on site from 300 mm down to 80 mm. But, then the M 12 threads must be retapped in the shortened profiles.

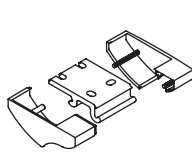
dimensions in mm

01  
02  
03  
04  
**05**  
06  
07  
08  
09  
10  
11  
12  
13  
14  
15  
16  
17

01 **Top fixture**

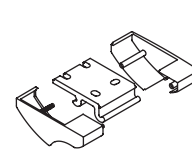
02 **Fixtures, fittings and accessories**

03 top fixture bracket  
04 cover cap  
05 left  
100 mm



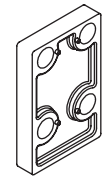
**75887.**

top fixture bracket  
cover cap  
right  
100 mm



**75888.**

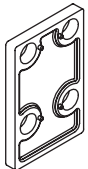
spacer plate for top  
fixture  
90 × 140 × 20 mm



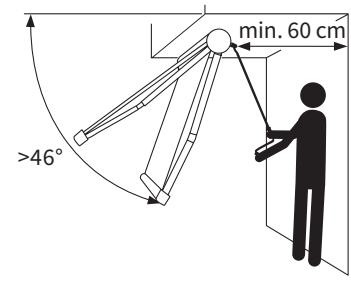
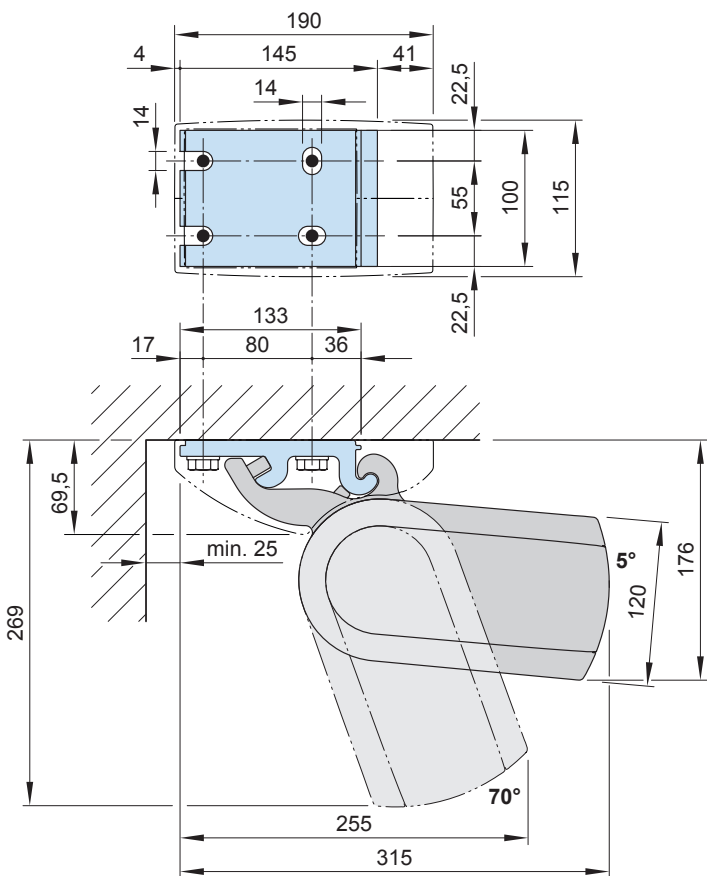
**N.B!**  
Stack to a max. height  
of 200 mm

**716311**

06 spacer plate  
07 for top fixture  
08 90 × 140 × 12 mm



**716411**

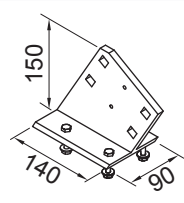


**N.B.!** At a pitch of more than 46° to the horizontal there must be an area accessible behind the awning at least 60 cm deep to allow operation of an RTS motor with manual override.

dimensions in mm

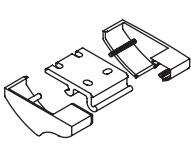
# Eaves fixture

## Fixtures, fittings and accessories



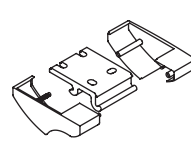
eaves fixture bracket  
90 mm  
150 mm plate

**75889.**



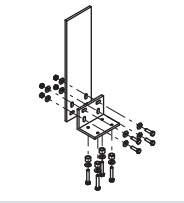
top fixture bracket  
cover cap  
left  
100 mm

**75887.**



top fixture bracket  
cover cap  
right  
100 mm

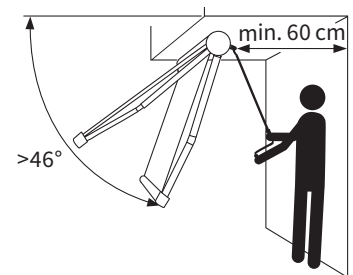
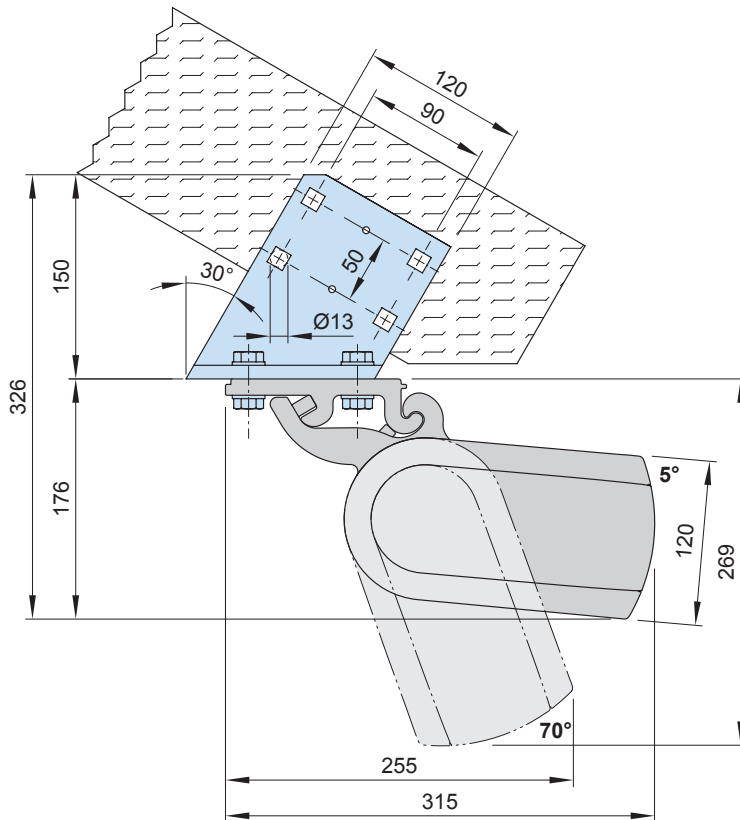
**75888.**



angle and plate for  
eaves fixture  
height of plate 500 mm  
machine finish

**716620**

With eaves fixture bracket 150 mm (75889.)



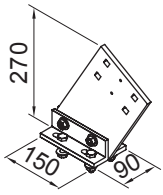
**N.B.!** At a pitch of more than 46° to the horizontal there must be an area accessible behind the awning at least 60 cm deep to allow operation of an RTS motor with manual override.

dimensions in mm

01  
02  
03  
04  
**05**  
06  
07  
08  
09  
10  
11  
12  
13  
14  
15  
16  
17

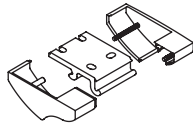
01 **Eaves fixture**

02 **Fixtures, fittings and accessories**



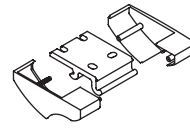
eaves fixture bracket  
90 mm  
height of flat plate  
270 mm

05 **71659.**



top fixture bracket  
cover cap  
left  
100 mm

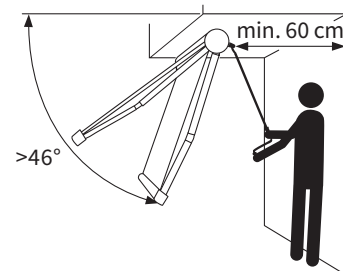
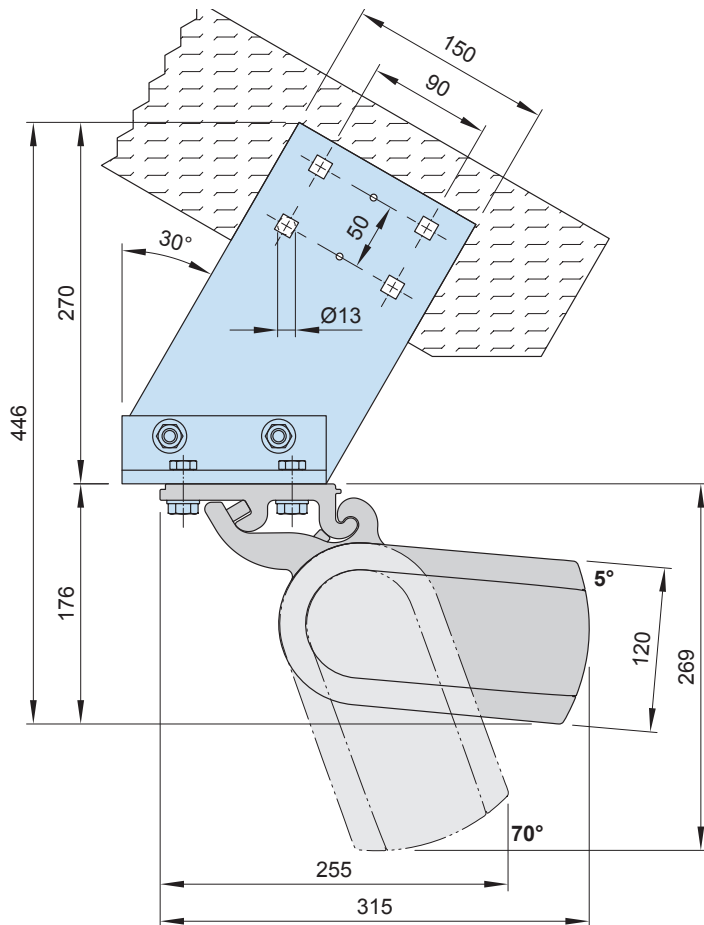
**75887.**



top fixture bracket  
cover cap  
right  
100 mm

**75888.**

06  
07  
08  
09  
10 **With eaves fixture bracket, top flat plate 270 mm (71659.)**

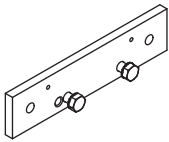


**N.B.!** At a pitch of more than 46° to the horizontal there must be an area accessible behind the awning at least 60 cm deep to allow operation of an RTS motor with manual override.

dimensions in mm

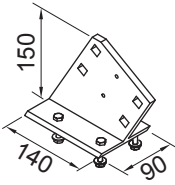
# Eaves fixture with additional plate

Fixtures, fittings and accessories



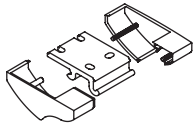
supplementary flat plate for eaves fixture  
260 × 60 × 12 mm

**75383.**



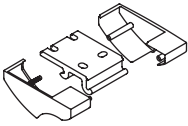
eaves fixture bracket  
90 mm  
150 mm plate

**75889.**



top fixture bracket cover cap left  
100 mm

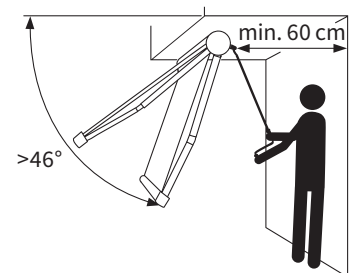
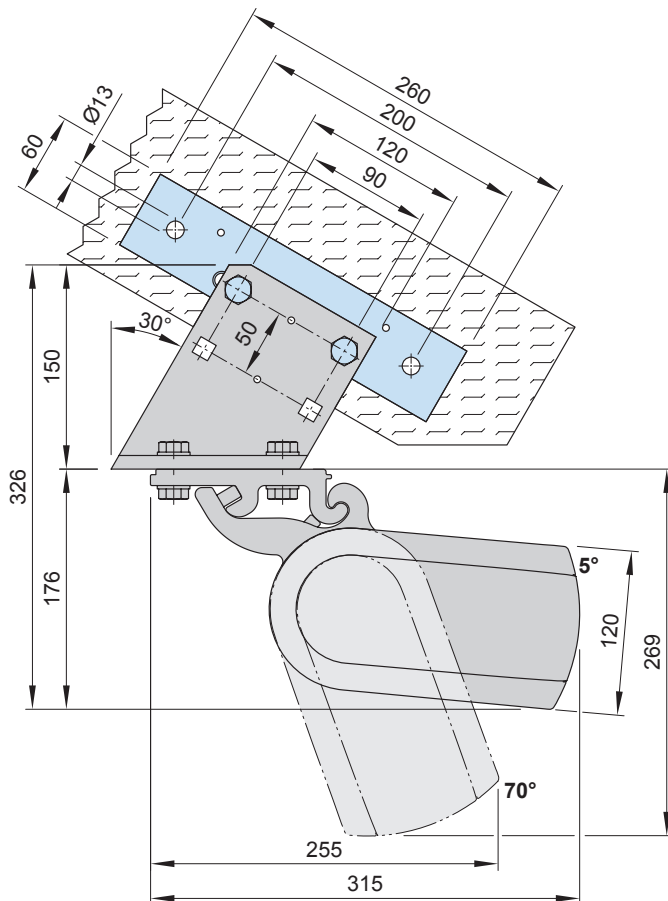
**75887.**



top fixture bracket cover cap right  
100 mm

**75888.**

With eaves fixture bracket 150 mm (75889.)



**N.B.!** At a pitch of more than 46° to the horizontal there must be an area accessible behind the awning at least 60 cm deep to allow operation of an RTS motor with manual override.

dimensions in mm

01  
02  
03  
04  
**05**  
06  
07  
08  
09  
10  
11  
12  
13  
14  
15  
16  
17

01 **Eaves fixture with additional plate**

02 **Fixtures, fittings and accessories**

03

04

05

06

07

08

09

10

11

12

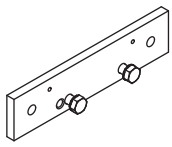
13

14

15

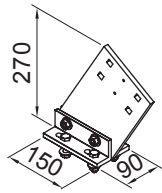
16

17



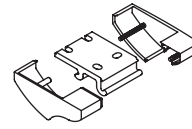
supplementary flat plate for eaves fixture  
260 × 60 × 12 mm

75383.



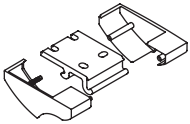
eaves fixture bracket 90 mm  
height of flat plate 270 mm

71659.



top fixture bracket cover cap left  
100 mm

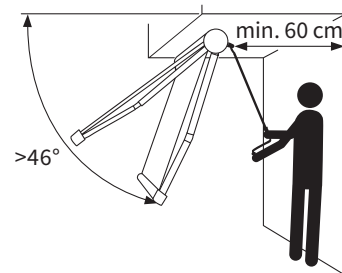
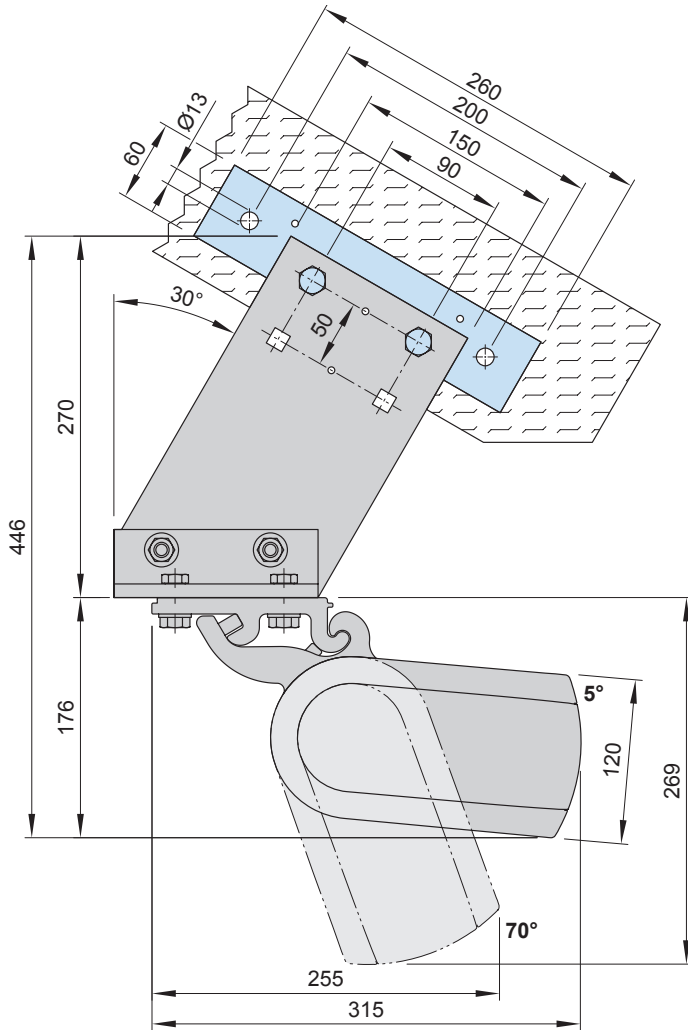
75887.



top fixture bracket cover cap right  
100 mm

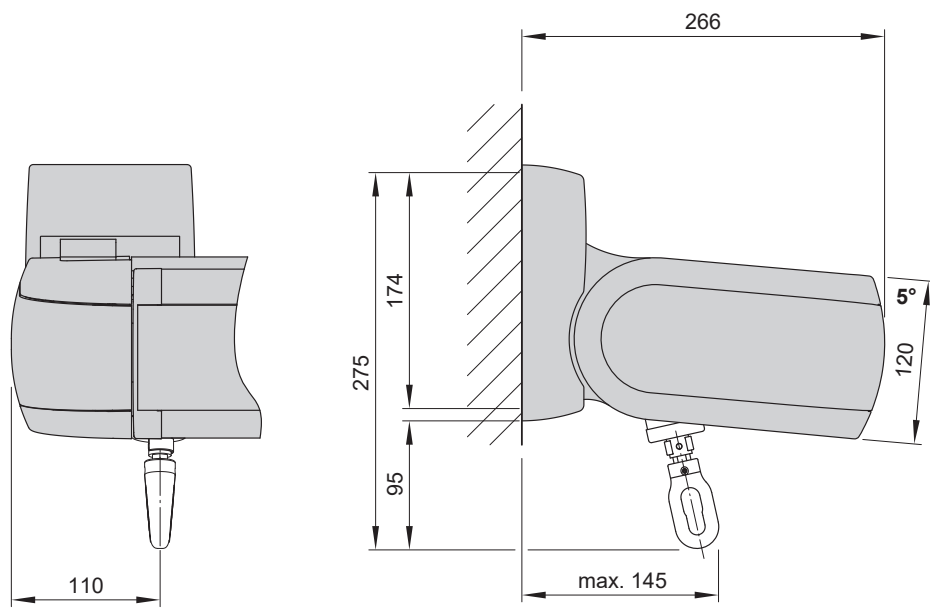
75888.

With eaves fixture bracket, top flat plate 270 mm (71659.)

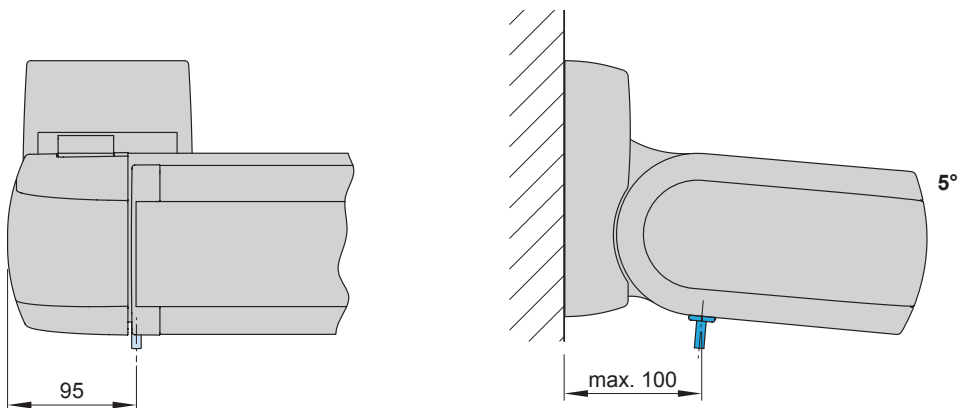


**N.B.!** At a pitch of more than 46° to the horizontal there must be an area accessible behind the awning at least 60 cm deep to allow operation of an RTS motor with manual override.

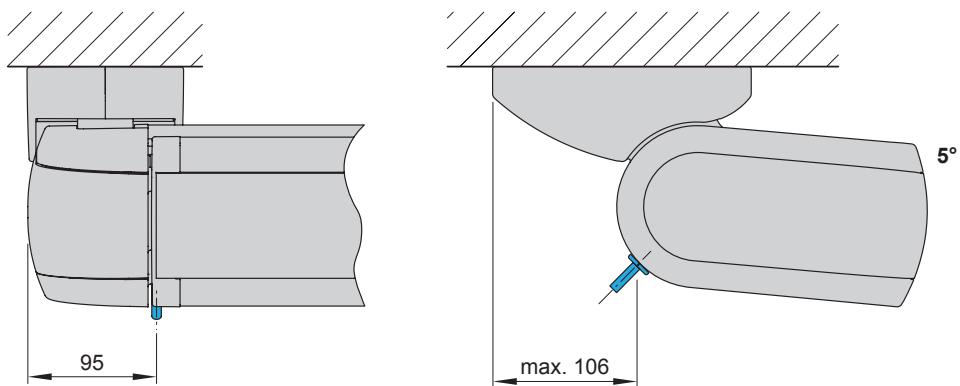
dimensions in mm

Face fixture, manual operation <sup>1)</sup>Motor / lighting cable exit point <sup>1) 2)</sup>

Face fixture



Top fixture



1) depending on the operation side, left or right

2) depending on the accessories ordered, one or two power supply cables (awning motor | lighting)

dimensions in mm

01  
02  
03  
04  
**05**  
06  
07  
08  
09  
10  
11  
12  
13  
14  
15  
16  
17

01

02

03

04

**05**

06

07

08

09

10

11

12

13

14

15

16

17