



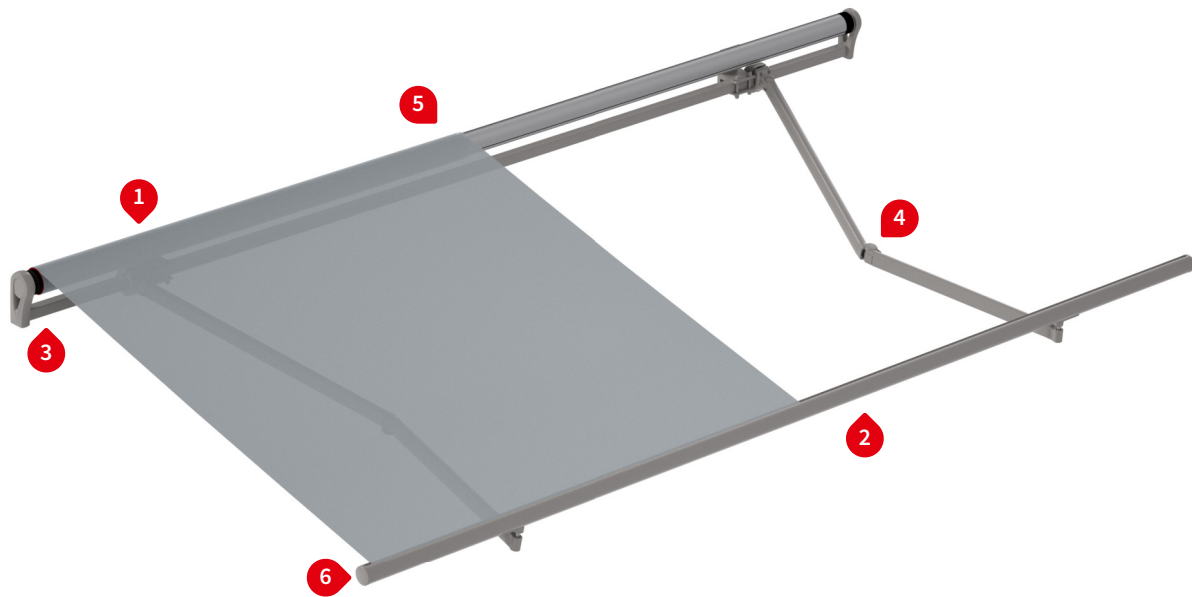
Open style folding-arm awning

## **markilux 1300**

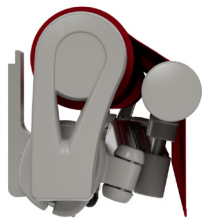
The entrance model with proven technology.

# Product Characteristics

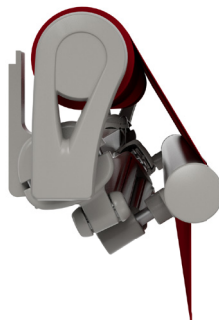
Wind resistance class 2  
Beaufort 5 → 7.5–10.4 m/s → 28–37 km/h → 17–23 mph



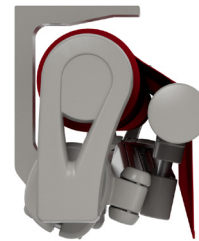
1) face fixture



1) face fixture, maximum pitch of 55°

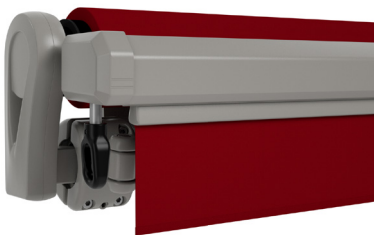


1) top fixture



14

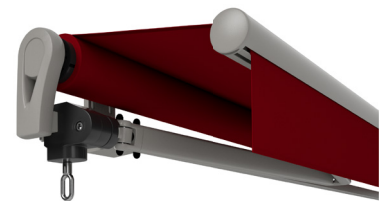
2) shadeplus<sup>1)</sup>



2) shadeplus, during extension<sup>1)</sup>



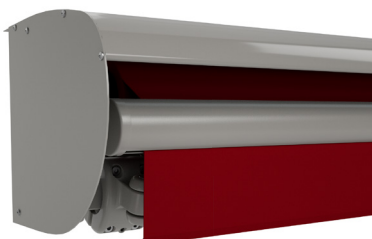
3) pitch adjustment gear<sup>1)</sup>



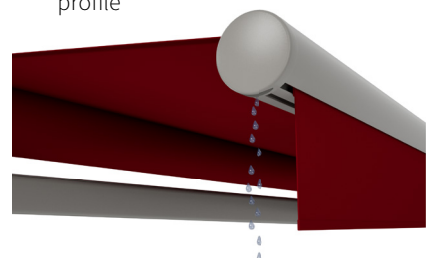
4) twin steel-link chain, corrosion protected



5) aluminium coverboard<sup>1)</sup>



6) unique water drainage system and hidden cover pocket in the front profile



1) Optional accessories

## Product Characteristics

### Description

- classic open style folding-arm awning with square torque bar, suitable for shading large areas.

### Special features

- option of a drop valance up to a projection of 350 cm – vertical protection against low-lying sun and inquisitive glances integrated into the front profile, can be operated manually
- Optional wireless io-dimmable LED Line lighting in the folding arms which provides uniform illumination under the awning
- option of a pitch adjustment gear – the pitch of the awning is effortlessly altered by way of a special gear mechanism in the torque bar, operated exclusively by crank handle and infinitely adjustable in a range between 4°–54° or 35°–85 (maximum projection 300 cm / only in awnings with 2 folding arms)

### Dimensions

- cassette in the standard version: depth 212 mm, height 232 mm
- single unit: minimum width 167 cm at the smallest projection of 150 cm
- maximum width 700 cm at the largest projection of 400 cm
- also available as a coupled unit

### Roller tube and lateral bearings

- round roller tube Ø 85 mm with keyway, galvanised steel – excellent stability, ensures near perfect cover performance even at the largest widths
- the roller support brackets are made of extruded aluminium, completely hidden within decorative end caps

### Awning profiles

- extruded aluminium, in façade quality, powder coated
- square steel torque bar 40 × 40 mm, galvanised both inside and out, powder coated
- circular front profile with integrated valance keyway

### Folding arms

- profiles in extruded aluminium, in façade quality, powder coated
- moving parts made of drop-forged aluminium – the arms are therefore extremely fracture resistant
- pivot bolts in stainless steel run in Teflon-coated bronze bushes - practically maintenance free, virtually silent and extremely hard wearing
- power transference via corrosion-protected twin steel-link chains at the elbow joint
- Articulated arms with LED Line option as standard with markilux Bionic tendon at the elbow joint

### End caps

- the end caps covering the roller support brackets are made of high-quality plastic, in two sections, dyed right through or powder coated
- the front profile end caps are made of high-quality plastic, powder coated

### Fixture brackets

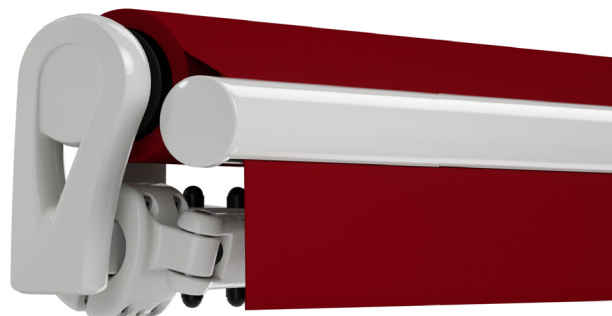
- face fixture, top fixture, eaves fixture
- extruded aluminium, powder coated
- awning pitch adjustment range 5° to 55°
- spacer plates, stand-off brackets and other accessories are available

01 **Frame and end cap colours**

02 markilux frame colours without surcharge

03 traffic white, RAL 9016

metallic aluminium, RAL 9006

**Non-standard powder-coated finish**

Bespoke frame colours incur a surcharge – matt, metallic, finely textured and pearl finishes as well as other colour ranges (DB, Tiger etc.) on request. All frame colours are available at a surcharge with enhanced corrosion protection.

Colours may differ slightly from those depicted in both hue and finish.

# Dimensions and configuration options

Single unit

Order dimensions	Awning width										Minimum width							
	250	300	350	400	450	500	550	600	650	700 <sup>1)</sup>	Motor			Crank handle				
	167	251	301	351	401	451	501	551	601	651								
	250	300	350	400	450	500	550	600	650	700								
H	150													181	167	—	184	170
	200	<sup>2)</sup>												231	218	—	234	221
	250	—	<sup>2)</sup>											281	268	—	284	271
	300	—	—	<sup>2)</sup>										331	318	—	334	321
	350	—	—	—	<sup>2)</sup>						<sup>1)</sup>			381	368	—	384	371
400 <sup>1) 3)</sup>	—	—	—	—	<sup>2)</sup>					<sup>2)</sup>			431	418	640	—	—	

dimensions in cm

1) = only available with motor drive (surcharge)

2) = please note the minimum widths!

3) = drop valance not available

H = projection

= 2 folding arms, 2 brackets

= 2 folding arms, 4 brackets

= 3 folding arms, 5 brackets, 1 rolltex bearings

= 2 standard arms

= 2 bespoke arms (surcharge)

= 3 standard arms

### Operation

	standard	optional
crank handle	✓	—
spring-assisted crank handle	—	✓
hard-wired motor	—	✓
silentec motor	—	—
silentec motor with an external with an external RTS receiver	—	—
radio-controlled motor io, 868 MHz	—	✓
radio-controlled motor RTS, 433 MHz	—	✓
868 MHz Radio-controlled motor io with manual override	—	—

### Coupled awning (motor drive)

2 fields, 1 motor, maximum width 1390 cm
3 fields, 1 motor, maximum width 1950 cm
maximum projection (depending on the width) 400 cm
junction roller
optional One-piece cover (max. 2 fields/width 1386 cm / projection 400 cm / 15° pitch)

1) N.B! Important background information can be found in the chapter “General Information”, in the section “Coupled Awnings”

### Awning cover

	fabric pattern no.	standard	optional
sunvas	300.. - 315..	✓	—
sunsilk	324.. / 325.. / 328.. / 369..	✓	—
sunbow	411.. - 427..	✓	—
smart art	340..	—	✓
perla FR	371.. / 372..	—	✓
valance, height 20 cm		✓	—

### Shadeplus <sup>1)</sup>

	standard	optional
height 210 cm		
max. projection 350 cm		
crank handle	✓	—
hard-wired motor	—	—
radio-controlled motor io, 868MHz	—	—
radio-controlled motor RTS, 433MHz	—	—
fabric pattern sunvas / sunsilk / sunbow / transolair / vuscreen Alu / Serge 600		

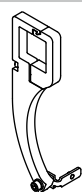
1) Only available in plain seamless fabrics (oversized, fabric width >120 cm) or in plains with a horizontal joint (fabric width 120 cm)

01	<b>Optional accessories</b>
02	shadeplus, manual
03	manual pitch adjustment gear
04	aluminium coverboard
05	infrared heater 2500 W
06	infrared heater 2500 W with integrated radio-controlled receiver 868 MHz Funk io
07	LED-spotline – light bar 110 × 70 mm with 5 W LED-spotlights, 180 cm / 3 spots or 300 cm / 5 spots
08	LED spotline io – light bar 110 × 70 mm with 5 W LED spotlights with integrated dimmable radio-controlled receiver, width 180 cm / 3 spots or 300 cm / 5 spots
09	LED Lines in the folding arms
10	automatic controls (light, wind, rain)
11	N.B. Important background information can be found in the chapter “Optional Accessories”

<b>Fixture options</b>	
wall bracket 100 mm	71664.
wall bracket 60 mm	71665.
fixture plate A 430 × 160 × 12 mm	75326.
fixture plate B 300 × 400 × 12 mm	75325.
markilux panel 250 × 230 × 49 mm	76308.
markilux panel continuous	701104
stand-off bracket 80–300 mm	77968.
stand-off bracket 80–300 mm	77967.
top fixture bracket 90 mm	71666.
top fixture bracket 60 mm	71667.
eaves fixture bracket 90 mm, plate 150 mm	71612.
eaves fixture bracket 90 mm, plate 270 mm	71659.
flat plate and angled bracket for eaves fixture, machine finish aluminium, 500 mm	716620
spreader plate 260 × 60 × 12 mm for eaves fixture bracket	75383.

## Lighting options

### LED Lines in the folding arms



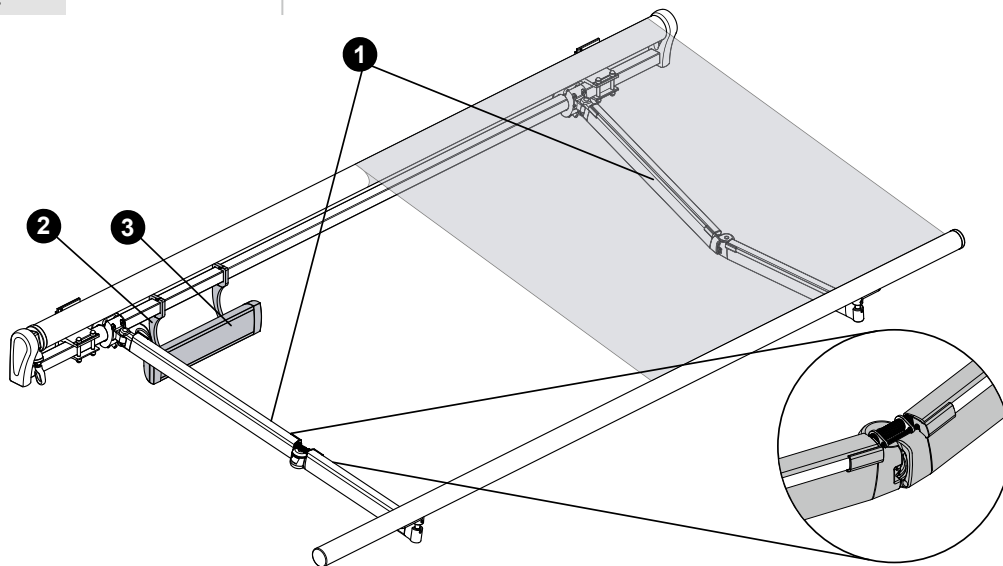
fixture to a angular torque bar 40 mm  
incl. clamp plate

76959.

After fitting the awning, the E-box is to be affixed to the torque bar on the drive side between the folding arms - it is fitted on the bearing side only when the awning has a shadeplus with motor. For coupled awnings, the E-box must be mounted in the area near the coupling point.

Power is supplied to the E-box through a cable duct attached to the torque bar.

N.B! If the awning has 3 folding arms (from 650cm x 350 cm), lighting in the folding arms is not available.



### Technical specification

operating voltage	230 V, 50 Hz
power output per metre	8 W / metre
number of LEDs per metre	150 LEDs / metre
light source	LED (12 V)
light temperature	warm white
IP protection class	IP 67
service life	approx. 15.000 h

- 1 = LED Line in the folding arms
- 2 = E-Box bracket (76972.)
- 3 = additional E-Box

## Pitch adjustment gear

Ideal for providing more solar shading on your balcony

Available in awnings with 2 folding arms and a maximum projection of 300 cm.

When extended the crank handle allows you to change the pitch quite easily and noiselessly in a range between 4–54° or 35–85° (needs to be entered at the time of order).

The gearbox operation eye can be fitted to either the left or right arm without a problem on site.

All the components needed to adjust the pitch of the awning are hidden away inside the torque bar and so protected from the elements.

By virtue of the integrated pitch adjustment option, the arms can be effortlessly levelled.

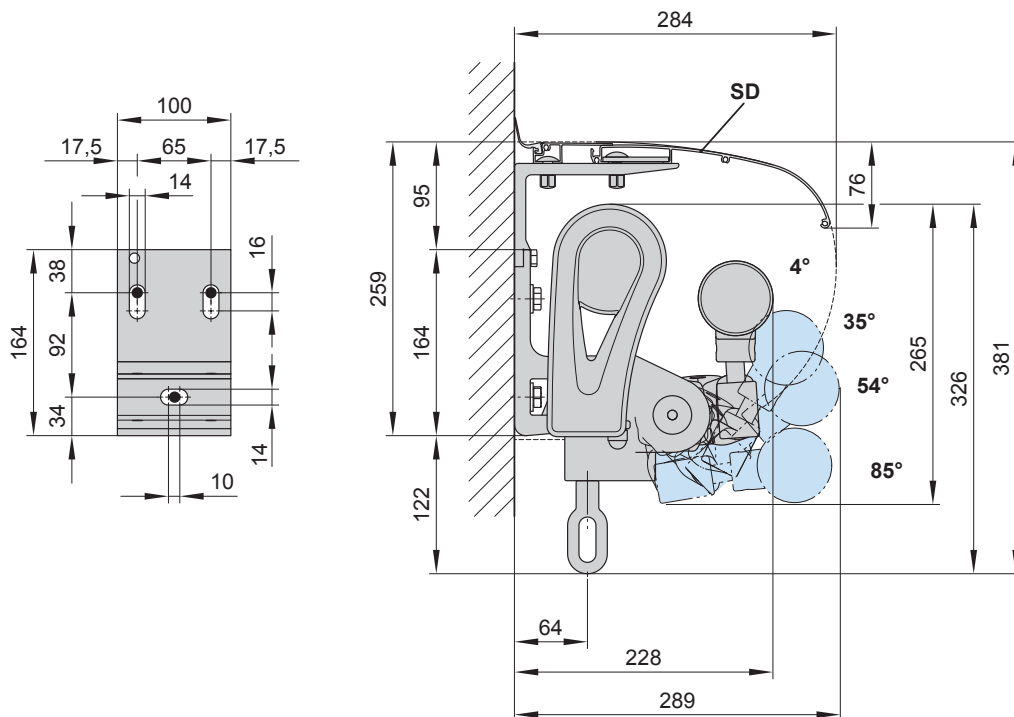
The pitch adjustment gear is supplied in white with white awnings and in black with any other colour.

**Attention:** The inclination adjustment drive must only be operated when the awning is extended. Any adjustment with the awning retracted results in malfunctions! Any adjustment with the awning retracted results in malfunctions!

### Minimum width for awnings with pitch adjustment gear

		Awning with standard arms	Awning with bespoke arms
H	150	200	200
	200	250	238
	250	300	288
	300	350	338

dimensions in cm

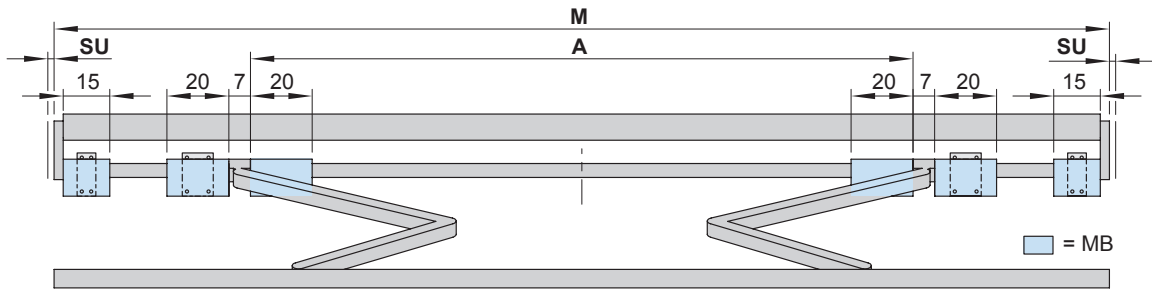


- 71664. = wall bracket 100 mm
- H = order dimension = projection
- SD = Aluminium coverboard

dimensions in mm

# Bracket fixture range

Awning with 2 folding arms



dimensions in cm

		Overall awning width								
		250	300	350	400	450	500	550	600	650
Order dimensions		167	251	301	351	401	451	501	551	601
		250	300	350	400	450	500	550	600	650
		Arm position A								
H	150	156 <sup>1)</sup>	206	240	275	310	345	375	415	450
	200	206 <sup>2)</sup>	206 <sup>1)</sup>	240	275	310	345	375	415	450
	250	—	256 <sup>2)</sup>	256 <sup>1)</sup>	275	310	345	375	415	450
	300	—	—	306 <sup>2)</sup>	306 <sup>1)</sup>	310	345	375	415	450
	350	—	—	—	356 <sup>2)</sup>	356 <sup>1)</sup>	375	375	415	—
	400	—	—	—	—	406 <sup>2)</sup>	406	406	415	—
BHT		No. of brackets   No. of fixing points								
W	6	—					2   4			
	10	2   6					2   6			
BP		A 2   16 B 2   8					A 2   16 B 2   8			
DP		—					2			
PA		2   8					4   16			
DE	6	—					2   4			
	9	2   8					2   8			
DA	9	2   8					4   16			

dimensions in cm

If the brackets cannot be positioned in accordance with this table, make sure the actual dimensions are noted on the order form!

- 1) = Gekoppelte Markise mit Schlitzrollo bei Zwischenbreiten auf Anfrage erhältlich
- 2) = please note the minimum widths! Maß **A** gilt nur für Standardarme! In the case of bespoke arms: **A** minus 13 cm. In the case of small awnings the brackets can only be fitted inside the arms, i.e. the position denoted by measurement **A**. coupled units are not available with a junction roller

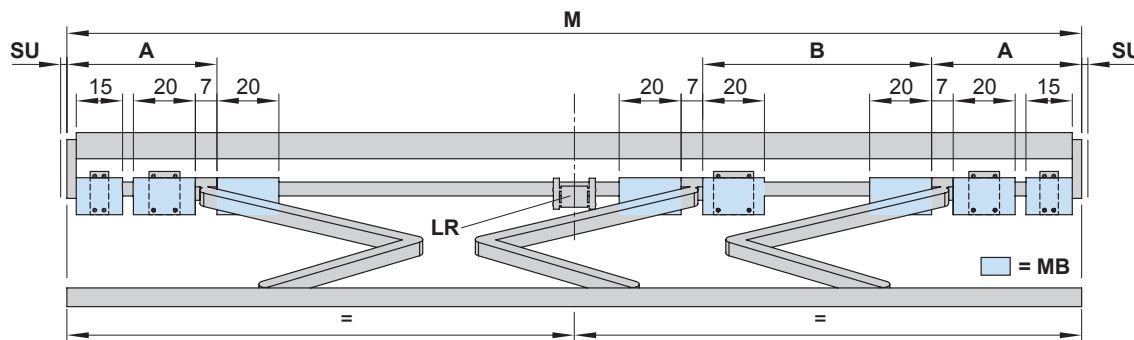
The **pull-out forces** necessary for determining the correct fixing materials necessary to meet wind resistance class 2 (Beaufort 5) can be found in the password-protected dealer area of the [pro.markilux.com](http://pro.markilux.com) website under "Pull-out Forces".

- A** = arm position
- BHT** = bracket width
- BP** = spreader plate **A** or **B**, to be positioned behind the folding arm
- DA** = eaves fixture brackets
- DE** = top fixture brackets
- DP** = spacer plate 71642., fitting area at outer brackets
- H** = **order dimension** = projection
- M** = **order width** = awning width
- MB** = bracket fixture range
- PA** = markilux panel, fixture profile, width 250 mm
- SU** = coverboard overhang 2 cm
- W** = face fixture brackets



# Bracket fixture range

Awning with 3 folding arms



dimensions in cm

		Awning width									
		650					700				
Order dimensions		601 613	614 650	640 650	651 693	694 700					
		Arm position									
		A	B	A	B	A	B	A	B	A	B
H	150	—	—	—	—	—	—	55	240	55	240
	200	—	—	—	—	—	—	55	225	55	225
	250	—	—	—	—	—	—	55	210	55	210
	300	—	—	—	—	—	—	55	200	55	200
	350	29 <sup>1)</sup>	180 <sup>1)</sup>	30 <sup>1)</sup>	190 <sup>1)</sup>	—	—	50	190	55	190
	400	—	—	—	—	12 <sup>1) 2)</sup>	204 <sup>1) 2)</sup>	17 <sup>1)</sup>	204 <sup>1)</sup>	30 <sup>1)</sup>	204 <sup>1)</sup>
BHT		No. of brackets   No. of fixing points									
W	6	2   4									
	10	3   9									
BP		A 3   24 B 3   12									
DP		2									
PA		5   20									
DE	6	2   4									
	9	3   12									
DA	9	5   20									

dimensions in cm

If the brackets cannot be positioned in accordance with this table, make sure the actual dimensions are noted on the order form!

1) = coupled units are not available with a junction roller

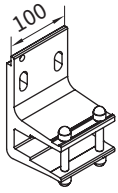
The **pull-out forces** necessary for determining the correct fixing materials necessary to meet wind resistance class 2 (Beaufort 5) can be found in the password-protected dealer area of the *pro.markilux.com* website under “Pull-out Forces”.

- A = arm position
- BHT = bracket width
- BP = spreader plate **A** or **B**, to be positioned behind the folding arm
- DA = eaves fixture brackets
- DE = top fixture brackets
- DP = spacer plate 71642., fitting area at outer brackets
- H = **order dimension** = projection

- LR = rolltex bearing
- M = **order width** = awning width
- MB = bracket fixture range
- PA = markilux panel, fixture profile, width 250 mm
- SU = coverboard overhang 2 cm
- W = face fixture brackets

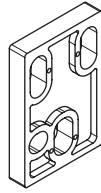
# Face fixture

## Fixtures, fittings and accessories



face fixture bracket  
100 mm

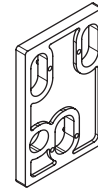
**71664.**



spacer plate  
100 × 150 × 20 mm

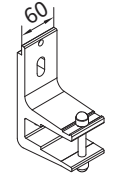
**N.B.!**  
Stack to a max. height  
of 200 mm

**758831**



spacer plate  
100 × 150 × 12 mm

**758841**



face fixture bracket  
60 mm

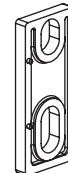
**71665.**



spacer plate  
face / top  
60 × 140 × 20 mm

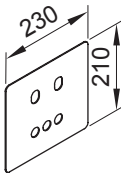
**N.B.!**  
Stack to a max. height  
of 200 mm

**716321**



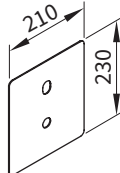
spacer plate  
face / top  
60 × 140 × 12 mm

**71642.**



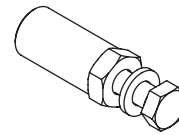
cover plate for spacer  
plate and stand-off  
brackets in the case of  
external insulation  
230 × 210 × 2 mm

**71843.**



cover plate  
for spacer plate and  
stand-off brackets in  
the case of external  
insulation  
210 × 230 × 2 mm

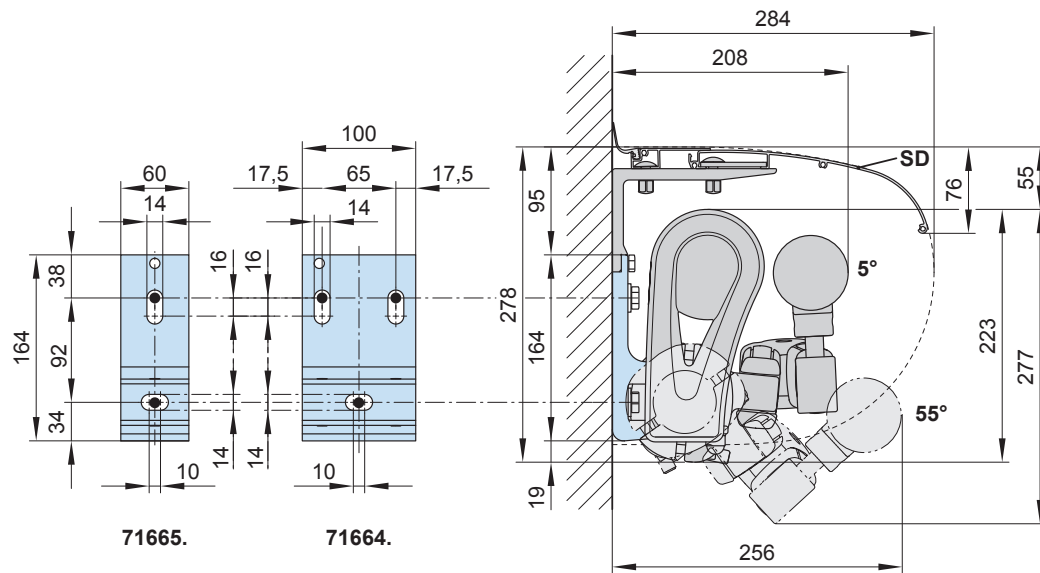
**71844.**



reduction bolt  
pack 10 pcs

M 16 → M 12 | M 16 → M 10 | M 12 → M 10 | M 10 → M 10

# 14

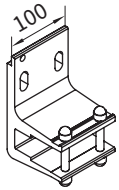


SD = Aluminium coverboard

dimensions in mm

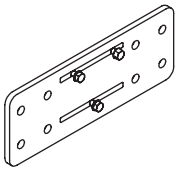
# Face fixture with spreader plate A

Fixtures, fittings and accessories



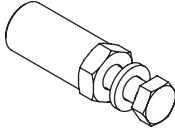
face fixture bracket  
100 mm

**71664.**



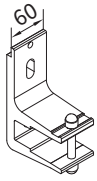
spreader plate A face  
fixture  
430 × 160 × 12 mm

**75326.**




reduction bolt  
pack 10 pcs

M 16 → M 12 | M 16 → M 10 | M 12 → M 10 | M 10 → M 10



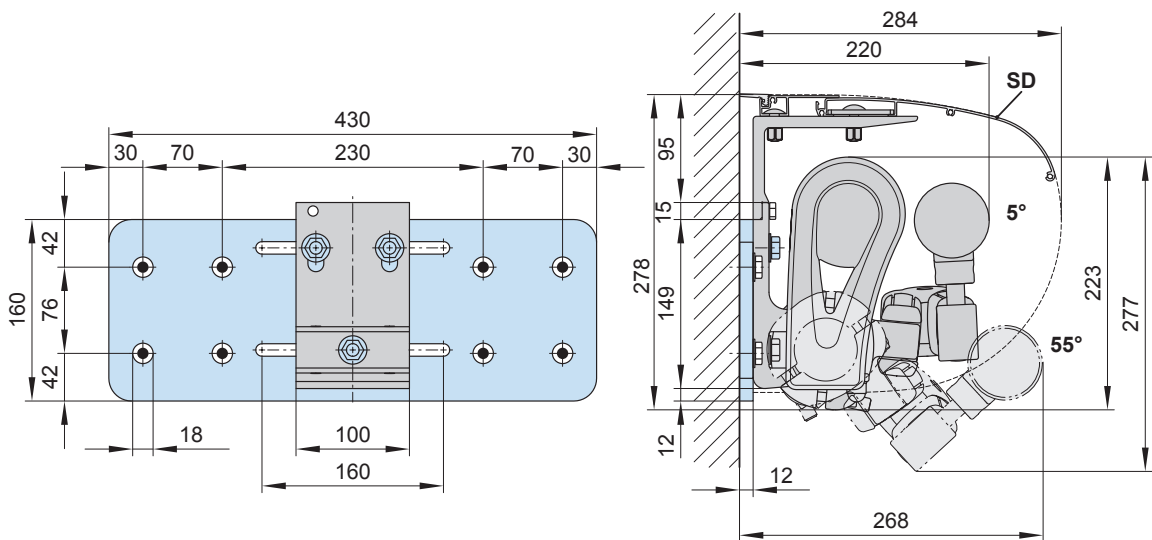
face fixture bracket  
60 mm

**71665.**



spacer plate  
face / top  
60 × 140 × 12 mm

**71642.**



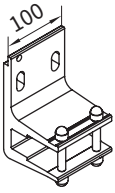
SD = Aluminium coverboard

dimensions in mm

01  
02  
03  
04  
05  
06  
07  
08  
09  
10  
11  
12  
13  
**14**  
15  
16  
17

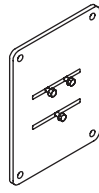
01 **Face fixture with spreader plate B**

02 Fixtures, fittings and accessories



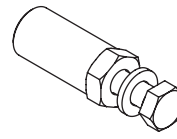
face fixture bracket  
100 mm

05 **71664.**



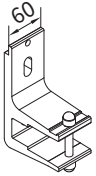
spreader plate B face  
fixture  
300 × 400 × 12 mm

**75325.**



reduction bolt  
pack 10 pcs

M 16 → M 12 | M 16 → M 10 | M 12 → M 10 | M 10 → M 10



face fixture bracket  
60 mm

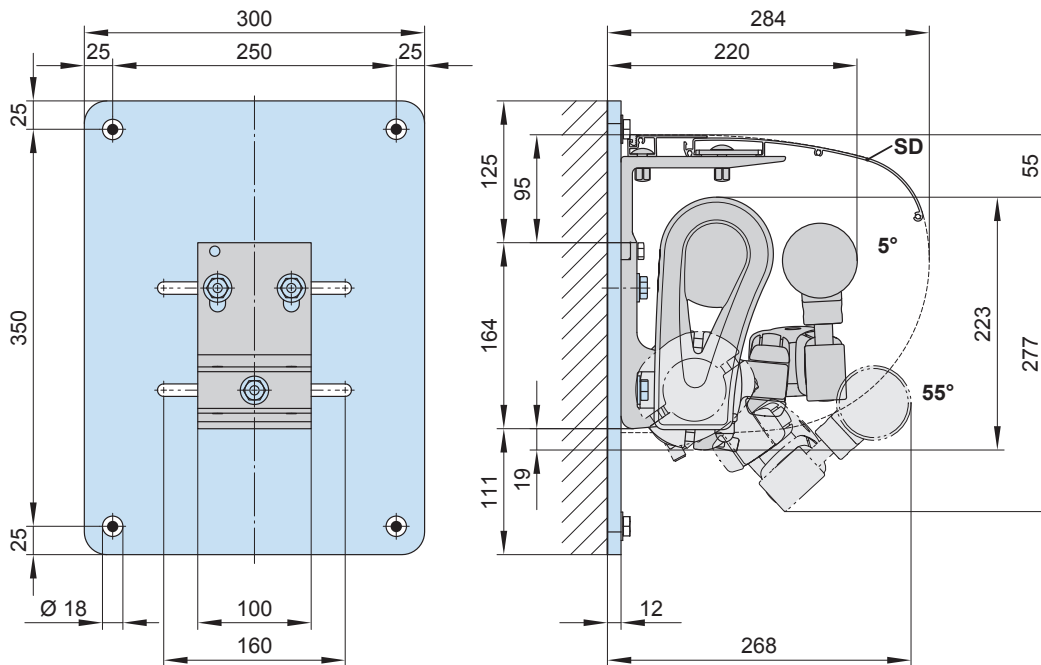
**71665.**



spacer plate  
face / top  
60 × 140 × 12 mm

**71642.**

**14**

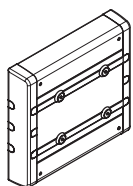


SD = aluminium coverboard

dimensions in mm

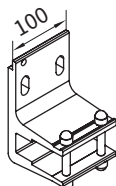
# Face fixture using the markilux panel 250 mm wide

Fixtures, fittings and accessories



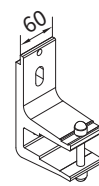
markilux panel  
250 × 230 × 49 mm  
with decorative profiles  
and end caps

76308.



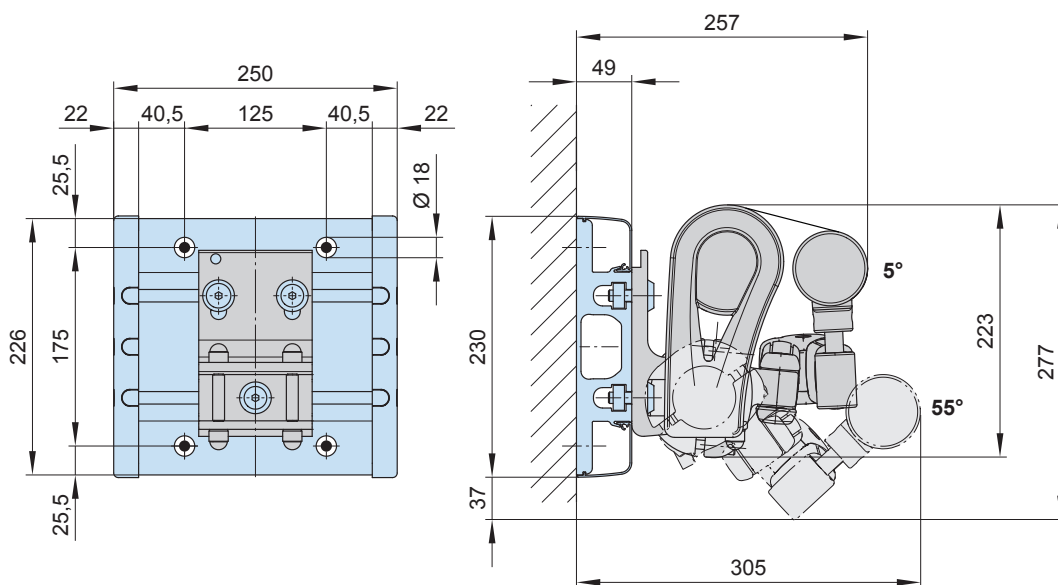
face fixture bracket  
100 mm

71664.



face fixture bracket  
60 mm

71665.

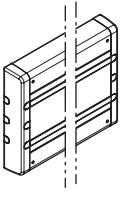
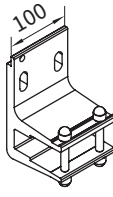
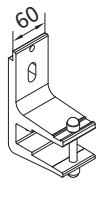
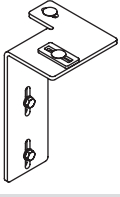
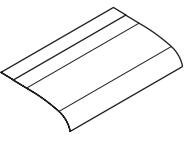
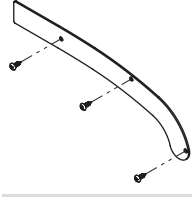


dimensions in mm

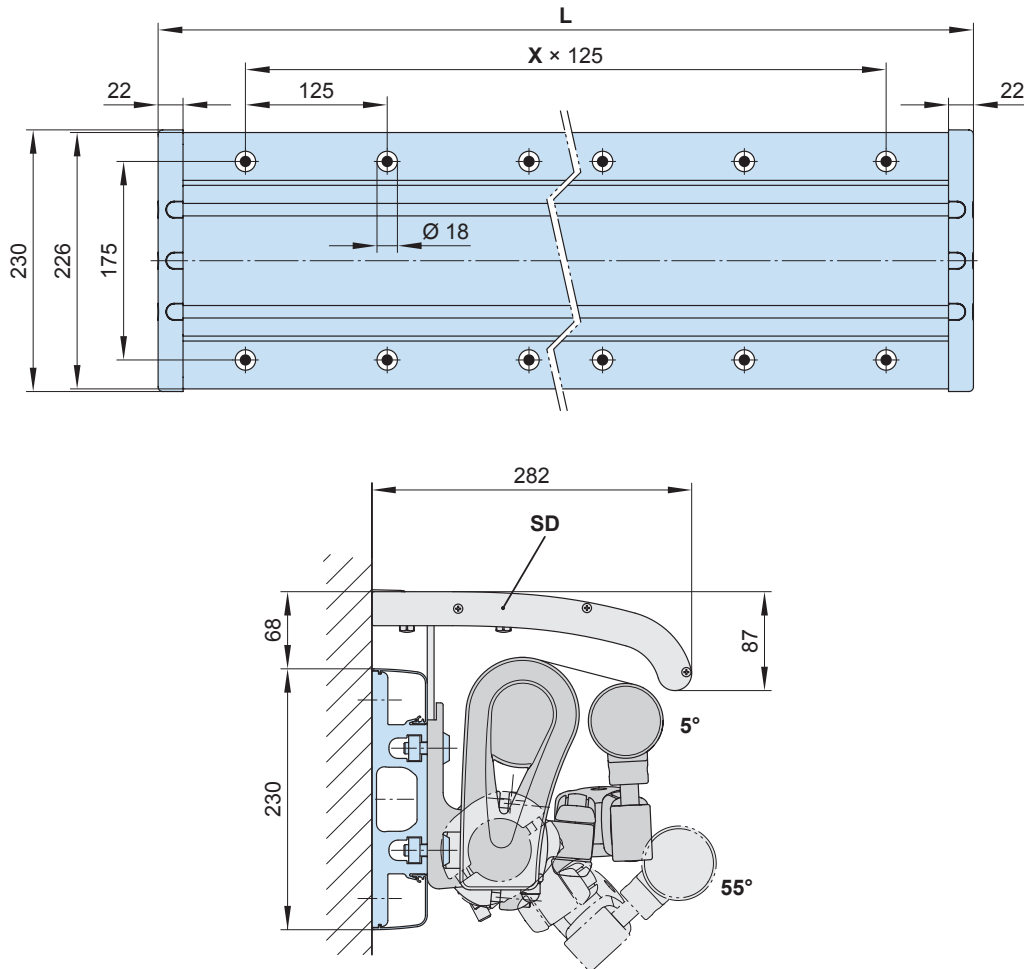
01  
02  
03  
04  
05  
06  
07  
08  
09  
10  
11  
12  
13  
**14**  
15  
16  
17

# Face fixture with markilux panel continuous

## Fixtures, fittings and accessories

 <p>markilux panel continuous with decorative profiles and end caps</p> <p><b>701104</b></p>	 <p>face fixture bracket 100 mm</p> <p><b>71664.</b></p>	 <p>face fixture bracket 60 mm</p> <p><b>71665.</b></p>
 <p>bracket coverboard</p> <p><b>76390.</b></p>	 <p>coverboard incl. additional profile and rubber sealing strip</p> <p><b>72015., 72019., 75970.</b></p>	 <p>side cover profile coverboard 282 x 87 x 2 mm</p> <p>Including 3 pan-head self-tapping screws for wall sealing profile</p> <p><b>76469. and 3 x 735611</b></p>

As a **continuous fixture profile** the markilux panel will always be supplied to order on the basis of a technical drawing prepared in the factory in accordance with the awning specification.

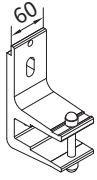


- L** = individual width, max. 7000 mm
- SD** = aluminium coverboard
- x** = fixing point separation, **by way of example**

dimensions in mm

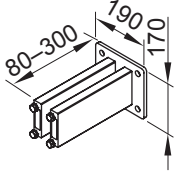
# Face fixture with stand-off bracket

Fixtures, fittings and accessories



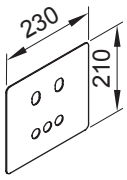
face fixture bracket  
60 mm

**71665.**



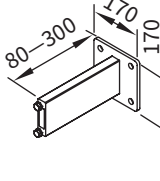
stand-off bracket  
for two face fixture  
bracket 71665.  
80-300 mm  
incl. insulating element

**77968.**



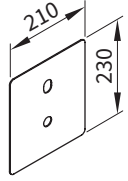
cover plate for spacer  
plate and stand-off  
brackets in the case of  
external insulation  
230 x 210 x 2 mm

**71843.**



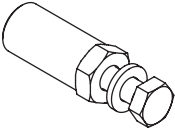
Stand-off bracket  
for face fixture  
bracket 71665.  
80-300 mm  
incl. insulating element

**77967.**



cover plate  
for spacer plate and  
stand-off brackets in  
the case of external  
insulation  
210 x 230 x 2 mm

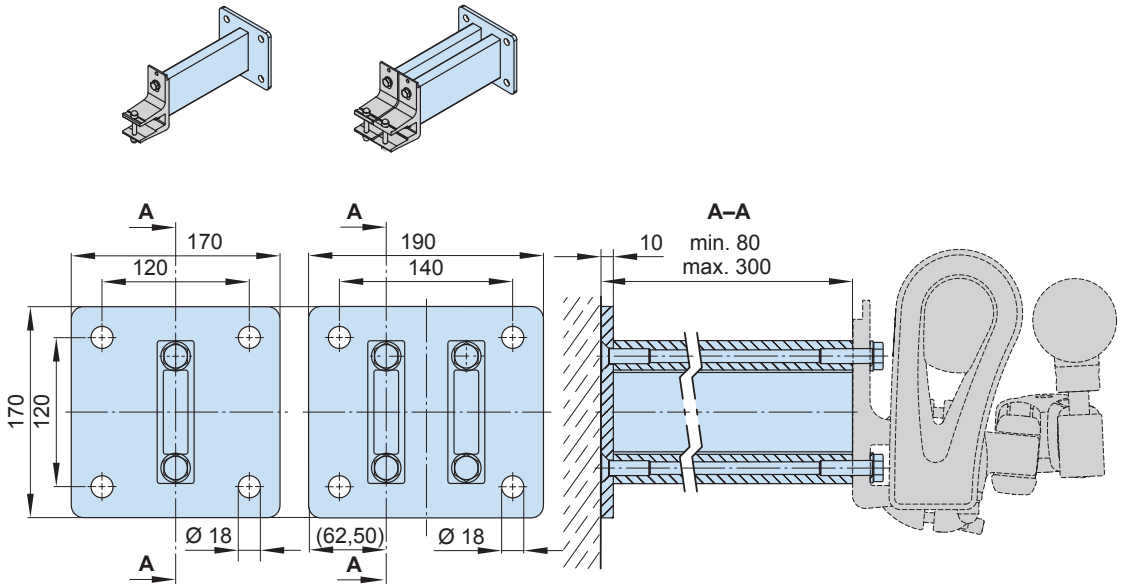
**71844.**



reduction bolt  
pack 10 pcs

M 16 → M 12 | M 16 → M 10 | M 12 → M 10 | M 10 → M 10

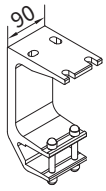
01  
02  
03  
04  
05  
06  
07  
08  
09  
10  
11  
12  
13  
**14**  
15  
16  
17



dimensions in mm

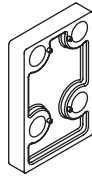
01 **Top fixture**

02 **Fixtures, fittings and accessories**



top fixture bracket  
90 mm

**71666.**



spacer plate for top  
fixture  
90 × 140 × 20 mm

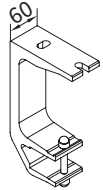
**N.B!**  
Stack to a max. height  
of 200 mm

**716311**



spacer plate for top  
fixture  
90 × 140 × 12 mm

**716411**



top fixture bracket  
  
additional bracket for  
3 folding arms

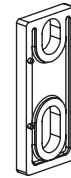
**71667.**



spacer plate  
face / top  
60 × 140 × 20 mm

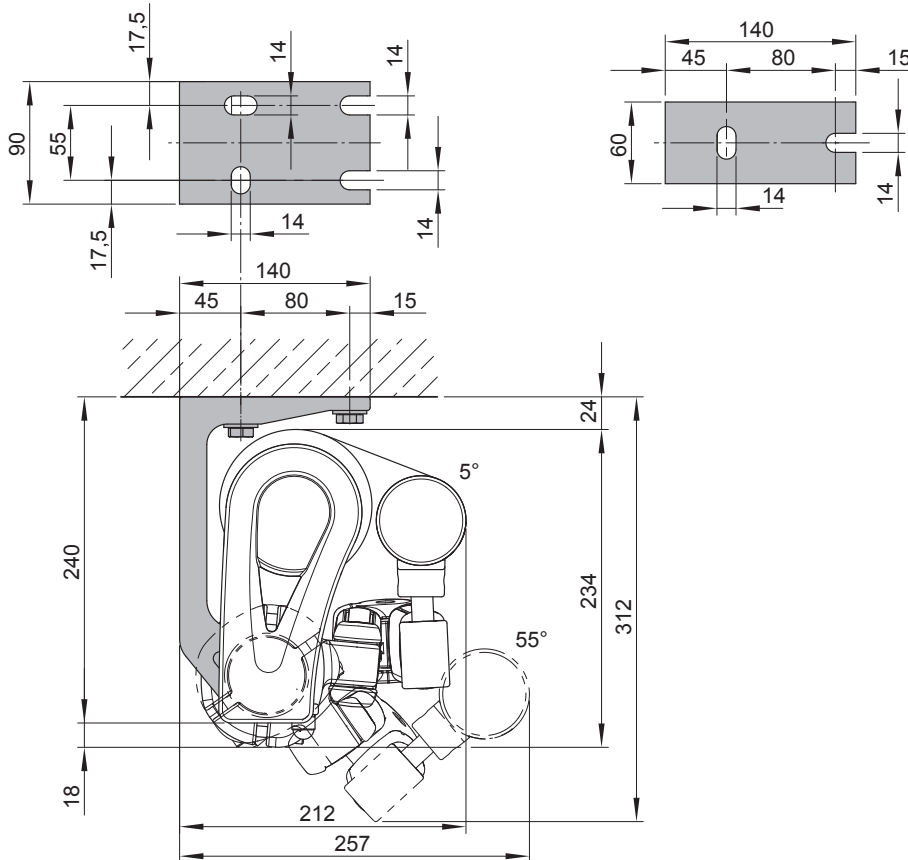
**N.B!**  
Stack to a max. height  
of 200 mm

**716321**



spacer plate  
face / top  
  
60 × 140 × 12 mm

**71642.**



dimensions in mm



# Eaves fixture

## Fixtures, fittings and accessories

eaves fixture bracket  
150 mm

**71899.**

top fixture bracket  
90 mm

**71666.**

eaves fixture bracket  
90 mm

height of flat plate  
150 mm

**71612.**

eaves fixture bracket  
90 mm

height of flat plate  
270 mm

**71659.**

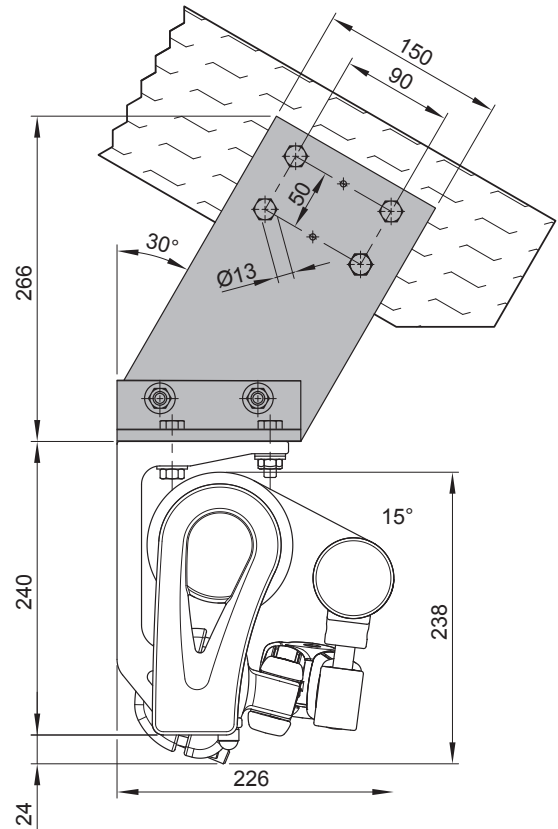
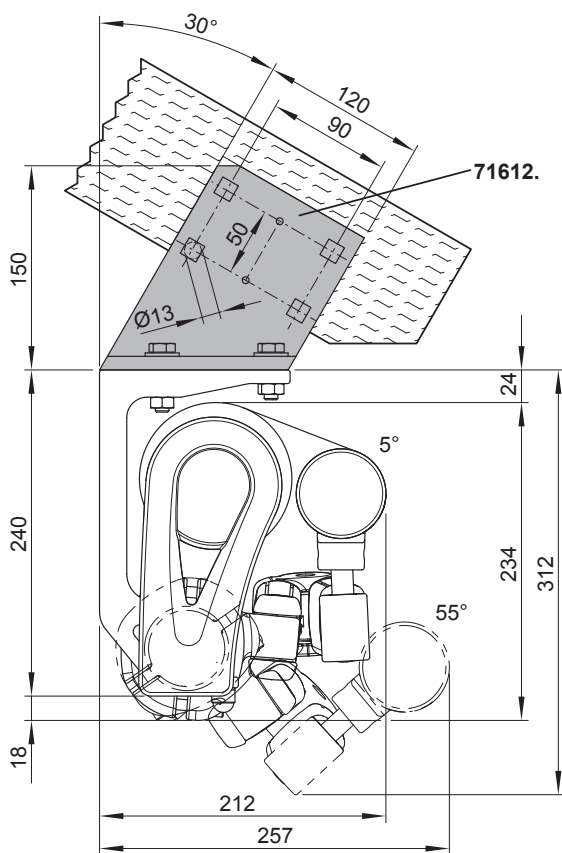
angle and plate for  
eaves fixture  
height of plate 500 mm

machine finish

**716620**

With eaves fixture bracket 150 mm (71612.)

With eaves fixture bracket 270 mm (71659.)

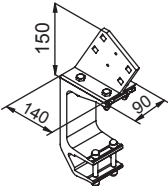


dimensions in mm

01  
02  
03  
04  
05  
06  
07  
08  
09  
10  
11  
12  
13  
**14**  
15  
16  
17

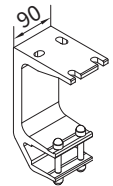
01 **Eaves fixture with additional plate**

02 Fixtures, fittings and accessories

03  eaves fixture bracket  
150 mm

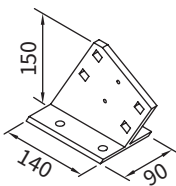
04

05 **71899.**

06  top fixture bracket  
90 mm

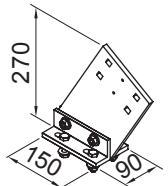
07

08 **71666.**

09  eaves fixture bracket  
90 mm  
height of flat plate  
150 mm

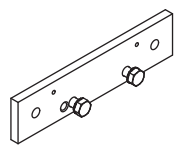
10

11 **71612.**

12  eaves fixture bracket  
90 mm  
height of flat plate  
270 mm

13

14 **71659.**

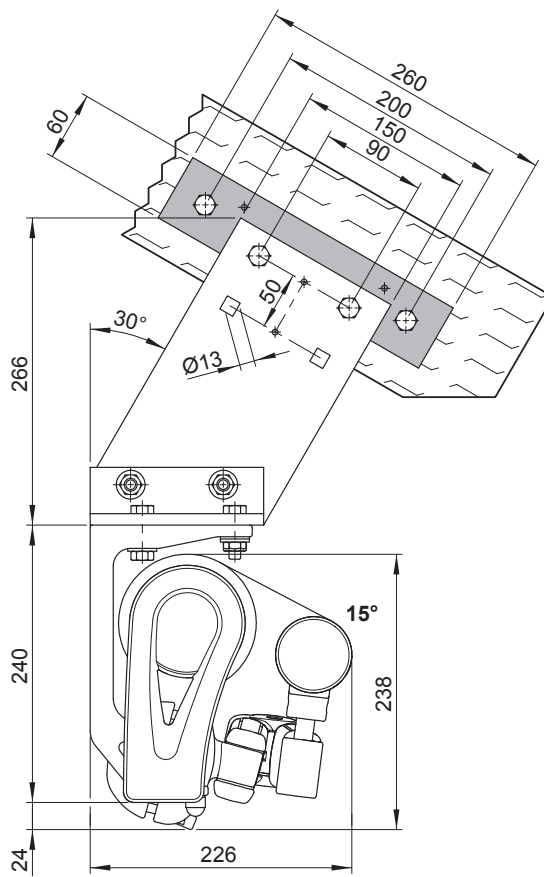
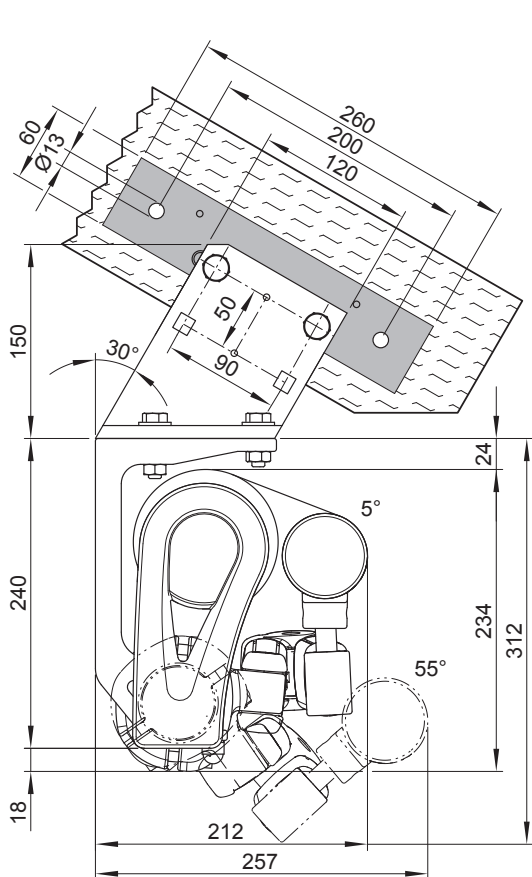
15  supplementary flat plate  
for eaves fixture  
260 × 60 × 12 mm

16

17 **75383.**

18 With eaves fixture bracket 150 mm (71612.)

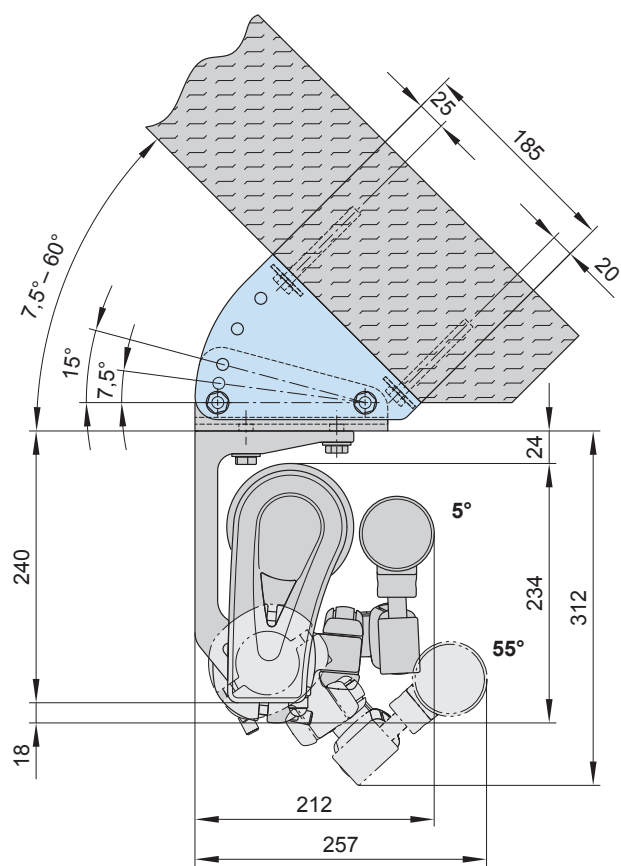
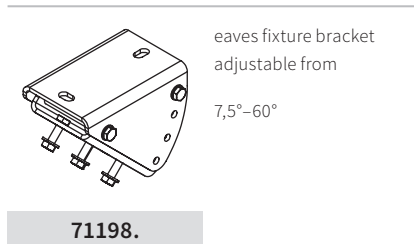
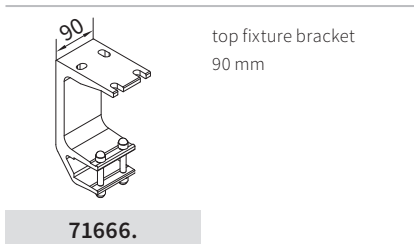
19 With eaves fixture bracket 270 mm (71659.)



22 dimensions in mm

# Eaves fixture with adjustable eaves fixture bracket

Fixtures, fittings and accessories

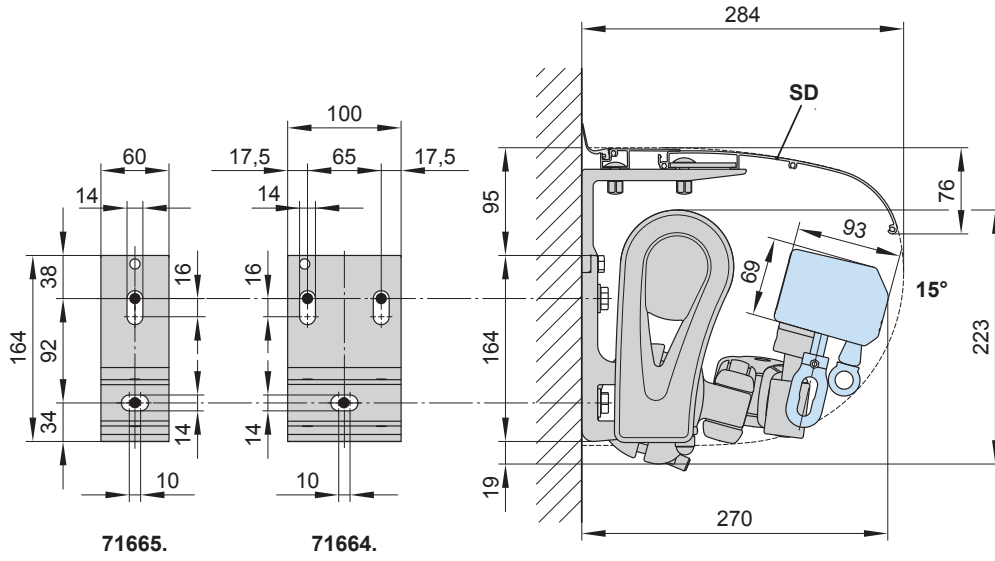


- 01
- 02
- 03
- 04
- 05
- 06
- 07
- 08
- 09
- 10
- 11
- 12
- 13
- 14**
- 15
- 16
- 17

dimensions in mm

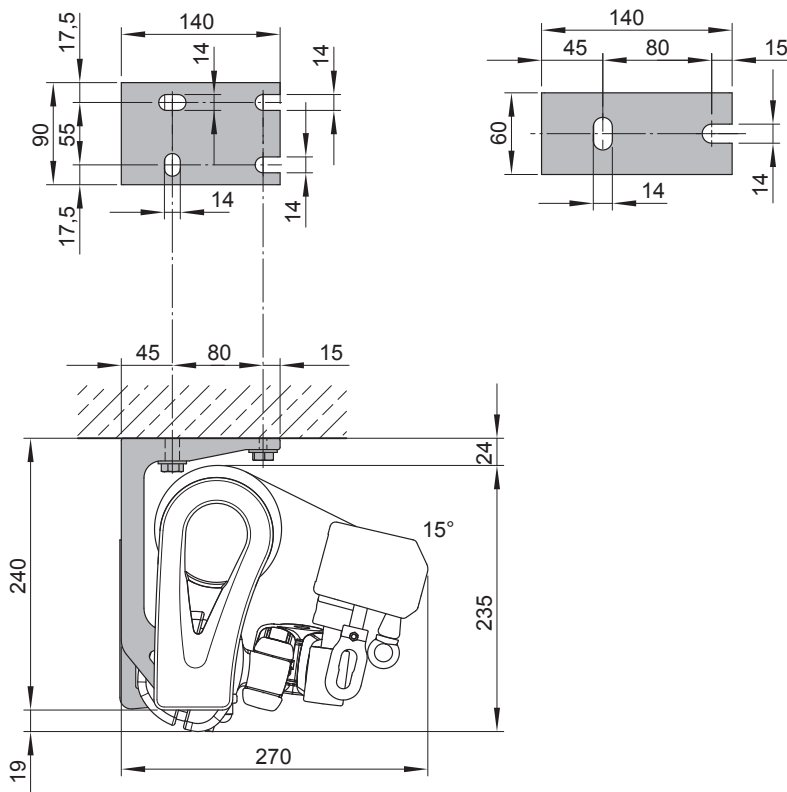
01 **Awning with shadeplus**

02 Face fixture



13 Top fixture

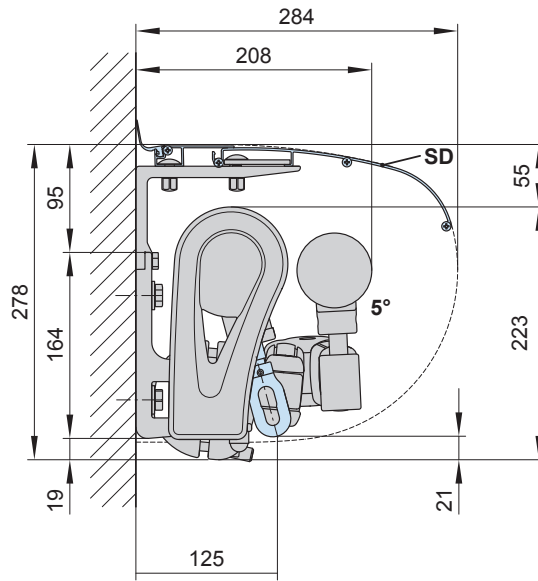
14



SD = aluminium coverboard

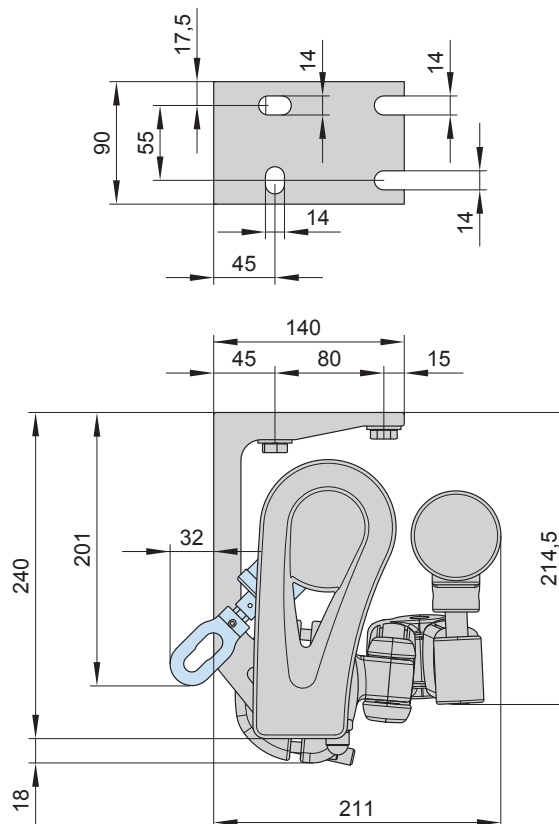
dimensions in mm

### Face fixture, manual operation



### Face fixture, manual operation

Operation from the rear



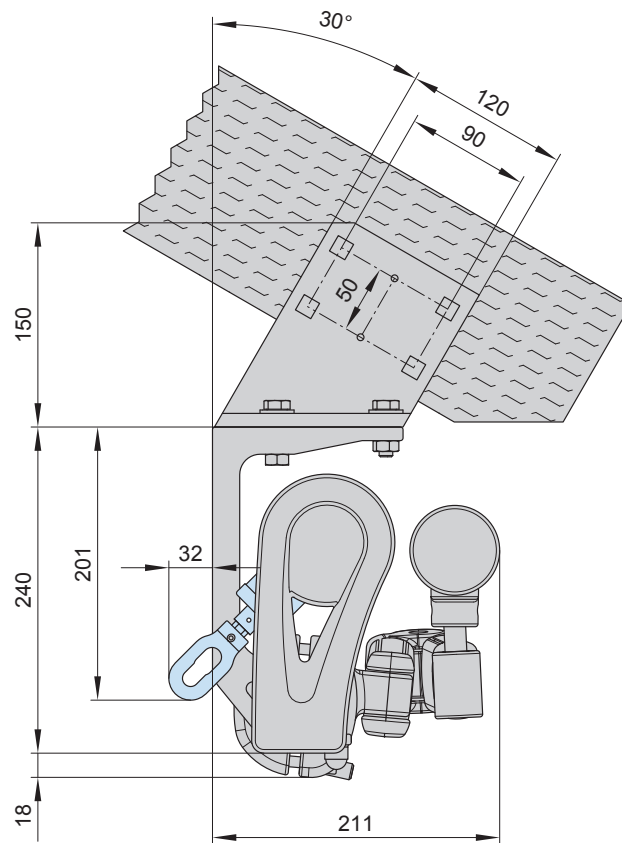
SD = aluminium coverboard

dimensions in mm

01 **Eaves fixture, manual operation**

02 Operation from the rear

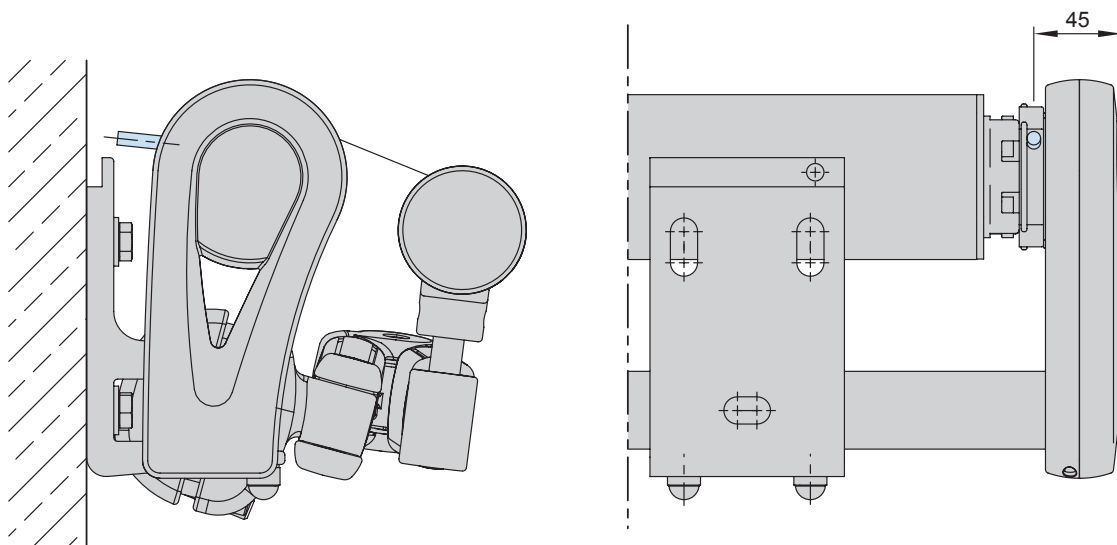
03  
04  
05  
06  
07  
08  
09  
10  
11  
12  
13



14

15 **Motor cable exit point**

16  
17



dimensions in mm