



Cassette awning

## markilux 6000

A designer cassette awning that is individually modifiable in both colour and specification. The enormous variety of combinations of both the visual and technical aspects makes this awning unique.



reddot design award  
winner 2006



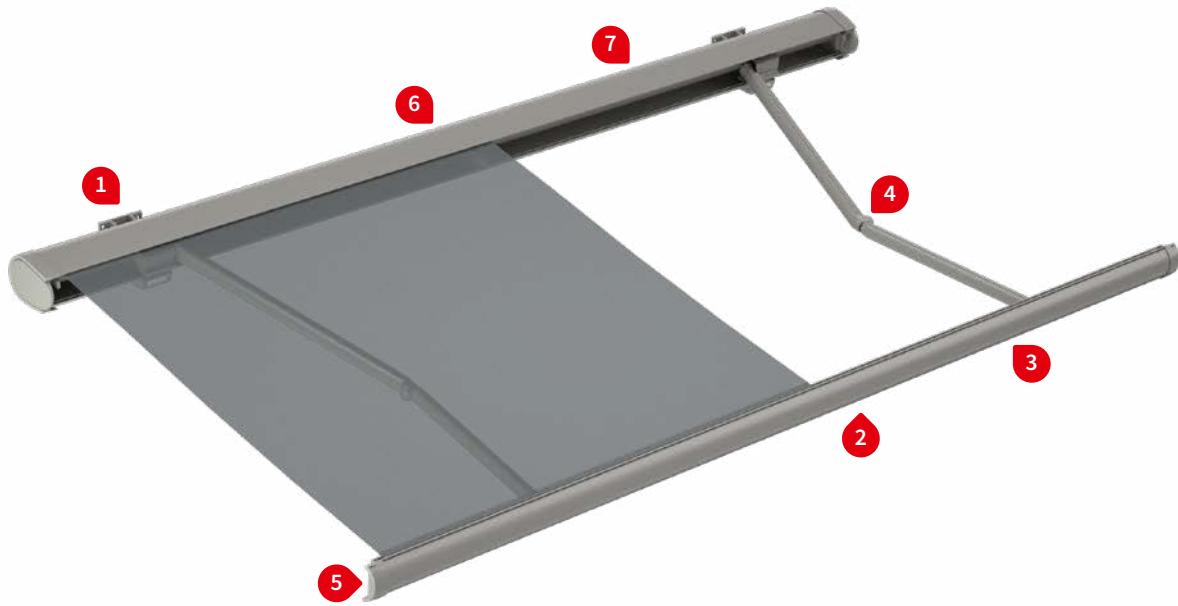
DESIGN AWARD  
2007  
NOMINEE

[markilux.com](http://markilux.com)

**markilux**  
safe timeless beautiful

# Product Characteristics

Wind resistance class 2  
Beaufort 5 → 7.5–10.4 m/s → 28–37 km/h → 17–23 mph



1 face fixture



1 top fixture



2 LED Spots in the front profile <sup>1)</sup>



3 shadeplus <sup>1)</sup>



3 shadeplus, during extension <sup>1)</sup>



4 bionic tendon and hidden cable duct in the arms



5 concealed gutter with water drainage holes to the side



6 infrared heater attached to the cassette <sup>1)</sup>



7 wall sealing profile <sup>1)</sup>



1) Optional accessories

## Product Characteristics

### Description

- top-quality ovally shaped designer cassette awning, presented with the reddot design award
- extremely robust construction, ideally suited for shading large areas

### Special features

- option of shadeplus up to a projection of 350 cm – vertical protection against low-lying sun and inquisitive glances integrated into the front profile, can be operated by radio remote control
- option of adjustable LED spotlights in the front profile – to create a pleasant atmosphere
- option of a silentec motor – motor noise is appreciably reduced
- the awning frame colour and end cap options can be freely combined (end cap trim and insert for the cassette, end caps for the front profile)

### Dimensions

- cassette in the standard version: depth 255 mm, height 165 mm  
cassette with drop valance: depth 317 mm, height 165 mm (without brackets)
- single unit: minimum width 205 cm at the smallest projection of 150 cm, maximum width 700 cm at the largest projection of 400 cm
- also available as a coupled unit

### Roller tube and lateral bearings

- round roller tube Ø 85 mm with keyway, galvanised steel – excellent stability, ensures near perfect cover performance even at the largest widths
- the cassette side caps are made of die-cast aluminium, powder coated

### Awning profiles

- extruded aluminium, in façade quality, powder coated
- cassette in two parts with integrated cover profile – offering optimum protection of the awning cover against the weather
- semi-circular front profile with integrated gutter

### Folding arms

- profiles in extruded aluminium, in façade quality, powder coated
- moving parts made of drop-forged aluminium – the arms are therefore extremely fracture resistant
- pivot bolts in stainless steel run in Teflon-coated bronze bushes - practically maintenance free, virtually silent and extremely hard wearing
- power transference via the innovative bionic tendon at the elbow joint, made of high tensile, hightech fibres – low in friction, noiseless, insensitive to corrosion and UV resistant, tested by the Fraunhofer institute

### End caps

- the cassette end caps are made of high-quality plastic, consisting of trim and insert sections
- end cap trim powder coated or in polished chrome, end cap insert powder coated or made of stainless steel mesh
- the front profile end caps are made of high-quality plastic, powder coated or with a polished chrome finish, with water drainage holes

### Fixture brackets

- face fixture, top fixture, eaves fixture
- extruded aluminium, powder coated
- brackets with elegant cowling made of plastic, powder coated
- pitch range 5°–35° or 36°–70°, infinitely adjustable
- spacer plates, stand-off brackets and other accessories are available

01 **Frame and end cap colours**

markilux frame colours without surcharge

02 traffic white, RAL 9016



metallic aluminium, RAL 9006



grey brown, similar to RAL 8019



## 06

07 off-white textured finish, 5233 <sup>1)</sup>stone grey metallic, 5215 <sup>1)</sup>anthracite metallic, 5204 <sup>1)</sup>12 havana brown textured finish, 5229 <sup>1)</sup>

16 end cap trim in polished chrome



end cap insert in stainless steel



trim in polished chrome and insert in stainless steel



Combination options by example of the frame colour stone grey metallic 5215 – possible in any frame colour.

**Non-standard powder-coated finish**

Bespoke frame colours incur a surcharge – matt, metallic, finely textured and pearl finishes as well as other colour ranges (DB, Tiger etc.) on request. All frame colours are available at a surcharge with enhanced corrosion protection.

Colours may differ slightly from those depicted in both hue and finish.

<sup>1)</sup> textured finish

## Dimensions and configuration options

### Single unit

Order dimensions	H	Awning width										Minimum width				
		250	300	350	400	450	500	550	600	650	700 <sup>2)</sup>	Motor			Crank handle	
		205 250	251 300	301 350	351 400	401 450	451 500	501 550	551 600	601 650	651 700					
150	3)										218	205	—	218	205	
200	—	3)									268	255	—	268	255	
250	—	—	3)								318	305	—	318	305	
300	—	—	—	3)							368	355	—	368	355	
350	—	—	—	—	3)				2) 3) 4)	4)	418	405	647	418	405	
400 <sup>1) 2)</sup>	—	—	—	—	—	3)				3)	468	455	697	—	—	

dimensions in cm

- 1) = drop valance not available  
 2) = only available with motor drive (surcharge)  
 3) = please note the minimum widths!  
 4) = in case of 350 cm projection and awning width 647–655 cm: assembly of the decorative cap for top and eaves fixture bracket not possible  
 H = projection

- = 2 folding arms, 2 brackets  
 = 2 folding arms, 3 brackets  
 = 2 folding arms, 3 brackets, 1 rolltex bearings  
 = 3 folding arms, 4 brackets, 2 rolltex bearings

- = 2 standard arms  
 = 2 bespoke arms (surcharge)  
 = 3 standard arms

Operation	standard	optional
crank handle	✓	—
spring-assisted crank handle	—	✓
hard-wired motor	—	✓
silentec motor (optionally with an external io / RTS receiver <sup>1)</sup> )	—	✓
radio-controlled motor io, 868 MHz	—	✓
radio-controlled motor RTS, 433 MHz	—	✓
868 MHz radio-controlled motor io with manual override <sup>1)</sup>	—	✓

1) For awnings with a maximum of 2 arms

### Coupled Awning (only with motor drive)<sup>1)</sup>

2 fields, 1 motor, maximum width 1390 cm
3 fields, 1 motor, maximum width 1800 cm
maximum projection (depending on the width) 400 cm
junction roller
optionally with a one-piece cover (maximum of 2 fields / projection 350 cm / 15° pitch – without internal cover profile, drop valance not available)

1) N.B! Important background information can be found in the chapter “General Information”, in the section “Coupled Awnings”

Awning cover	fabric pattern no.	standard	optional
sunvas	300.. – 315..	✓	—
sunsilk	324.. / 328.. / 369..	✓	—
sunbow	411.. - 427..	✓	—
smart art	340..	—	✓
perla FR	371.. / 372..	—	✓
valance, height 20 cm		—	✓

Drop valance <sup>1) 2)</sup>	standard	optional
height 210 cm		
maximum projection 350 cm		
crank handle	✓	—
hard-wired motor	—	✓
868 radio-controlled motor io	—	✓
radio-controlled motor RTS, 433MHz	—	✓
fabric pattern sunvas / sunsilk / sunbow / transolair / vuscreen Alu / Serge 600		

1) In the case of coupled awnings (2 fields) shadeplus is driven with two separate gear boxes / motor (outside left and right)

2) Only available in plain seamless fabrics (oversized, fabric width >120 cm) or in plains with a horizontal joint (fabric width 120 cm).

01	<b>Optional accessories</b>
02	drop valance, manual or motor operation
03	LED Spots in the front profile
04	valance
05	storm safety clip for the cassette
06	wall sealing profile, up to a pitch of 70°
07	infrared heater 2500 W
08	infrared heater 2500 W with integrated radio-controlled receiver
09	868 MHz radio-controlled io
10	automatic controls (light, wind, rain)

06 N.B. Important background information can be found in the chapter "Optional Accessories"

<b>Fixture options</b>	
face fixture brackets 180 mm, 5°–35°	74909.
face fixture brackets 180 mm, 36°–70°	74928.
fixture plate A 430 × 160 × 12 mm	75328.
fixture plate B 300 × 400 × 12 mm	75327.
markilux panel 250 × 230 × 49 mm	76308.
markilux panel continuous	701104
stand-off bracket 80–300 mm	77970.
top fixture bracket 130 mm, 5°–35°	74903.
top fixture bracket 130 mm, 36°–70°	74905.
eaves fixture bracket 150 mm, 5°–35°, height of plate 150 mm	74944.
eaves fixture bracket 130 mm, 5°–35°, height of plate 270 mm	74970.
flat plate and angled bracket for eaves fixture, machine finish aluminium, 500 mm	741290
supplementary flat backing plate for eaves fixture 260 × 60 × 12 mm	75383.

## markilux LED-Spots



17 pivoting LED spotlights in a solid aluminium housing



infinitely variable light intensity



convenient radio operation with handheld remote control



### Technical specification

operating voltage	230 V, 50 Hz
power output of one LED spotlight	5 W
light source	LED (12 V)
number of transformers	1 unit
light temperature	warm white
IP protection class	IP 44
service life	aprox. 20,000 hours

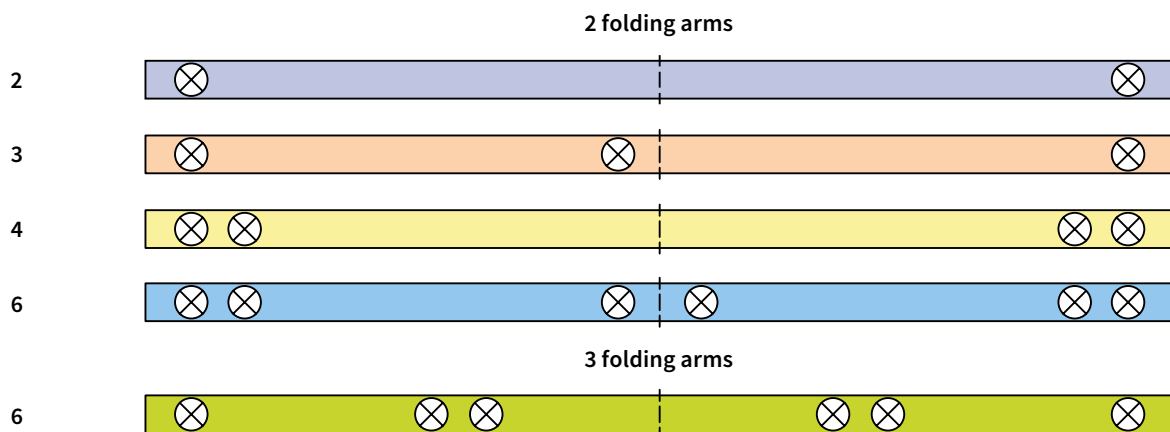
### Controls

	standard	optional
on/off switch	—	✓
radio-controlled dimmer io 868 MHz	✓	—
radio-controlled dimmer RTS 433 MHz	—	✓

# Lighting options

LED spotlight distribution in the front profile

## Number of the LED spotlights



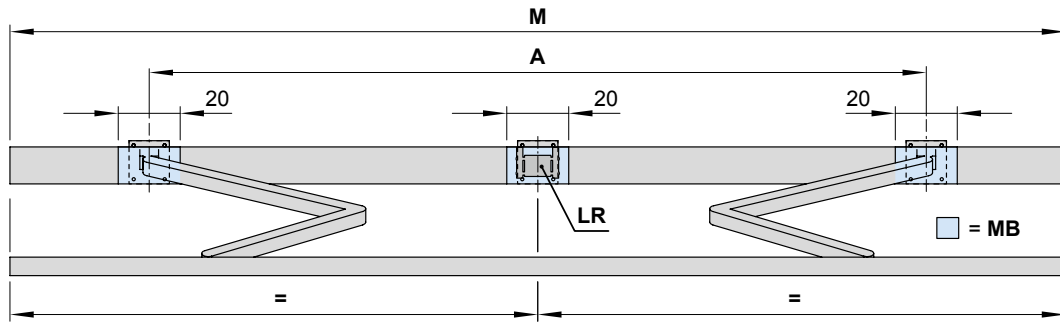
## Number and distribution of the LED spotlights in the front profile

Awning width	Projection					
	150	200	250	300	350	400
238-250	2	—	—	—	—	—
251-277	—	—	—	—	—	—
278-287	3	—	—	—	—	—
288-300	3	2	—	—	—	—
301-317	—	—	—	—	—	—
318-337	3	3	—	—	—	—
338-387	3	3	2	—	—	—
388-400	3	3	2	2	—	—
401-437	3	3	3	2	—	—
438-450	3	3	3	2	2	—
451-457	6	6	—	—	—	—
458-500	6	6	6	6	4	—
501-507	—	—	—	—	—	—
508-517	6	6	6	6	6	—
518-550	6	6	6	6	6	4
551-557	—	—	—	—	—	—
558-562	6	6	6	6	6	—
563-600	6	6	6	6	6	6
601-650	6	6	6	6	—	—
651-657	6	6	6	—	—	—
658-687	6	6	6	6	—	—
688-700	6	6	6	6	6	—

dimensions in cm

# Bracket fixture range

Awning with 2 folding arms



dimensions in cm

		Awning width								
		250	300	350	400	450	500	550	600	650
Order dimensions		205	251	301	351	401	451	501	551	601
		250	300	350	400	450	500	550	600	650

		Arm position A								
H	150	184 <sup>2)</sup>	210 <sup>1)</sup>	260	300	340	390	440	490	510
	200	—	234 <sup>2)</sup>	260 <sup>1)</sup>	300	340	390	440	490	510
	250	—	—	284 <sup>2)</sup>	300 <sup>1)</sup>	340	390	440	490	510
	300	—	—	—	334 <sup>2)</sup>	340 <sup>1)</sup>	390	440	490	510
	350	—	—	—	—	384 <sup>2)</sup>	390 <sup>1)</sup>	440	490	—
	400	—	—	—	—	—	434 <sup>2)</sup>	445 <sup>1)</sup>	490 <sup>1)</sup>	—

		No. of brackets   No. of fixing points	
W	BHT 18	2   8	
BP		A 2   16	B 2   8
DP		—	
PA		2   8	
DA / DE	13	2   8	2   6

dimensions in cm

1) = coupled awnings are available in intermediate widths with a junction roller on request

2) = please note the minimum widths! Dimension A is only valid for standard arms!

In the case of bespoke arms: A minus 13 cm, coupled units are not available with a junction roller

If the brackets cannot be positioned in accordance with this table, make sure the actual dimensions are noted on the order form!

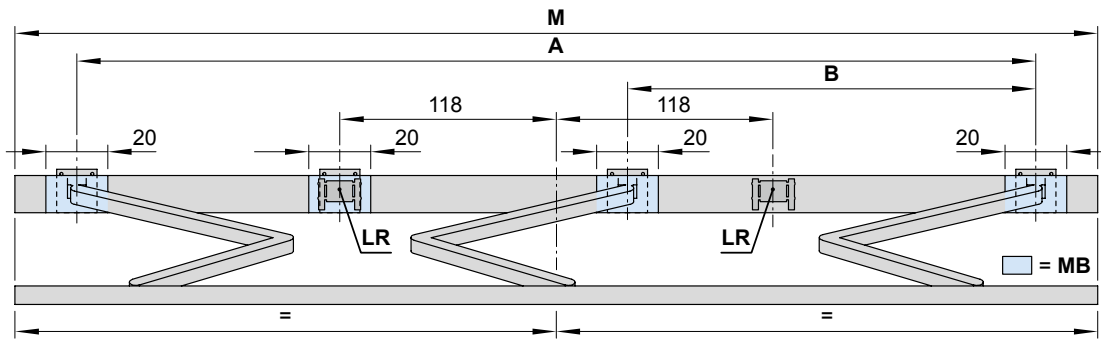
The **pull-out forces** necessary for determining the correct fixing materials necessary to meet wind resistance class 2 (Beaufort 5) can be found in the password-protected dealer area of the [pro.markilux.com](http://pro.markilux.com) website under "Pull-out Forces".

- A = arm position
- BHT = bracket width
- BP = spreader plate A or B, to be positioned behind the folding arm
- DA = eaves fixture brackets
- DE = top fixture brackets
- DP = spacer plate 71644., to be positioned behind the rolltex bearing, in the case of spreader plate A or B
- H = order dimension = projection
- LR = rolltex bearing
- M = order dimension = awning width
- MB = bracket fixture range
- PA = markilux panel, fixture profile, width 250 mm
- W = face fixture brackets



# Bracket fixture range

Awning with 3 folding arms



dimensions in cm

Order dimensions		Awning width			
		650		700	
		601		651	
		650		700	
H		Arm position			
		A	B	A	B
H	150	—	—	600	265
	200	—	—	600	240
	250	—	—	600	230
	300	—	—	610	230
	350	613 <sup>1)</sup>	230 <sup>1)</sup>	626 <sup>1)</sup> / 646 <sup>1) 3)</sup>	230
	400	—	—	665 <sup>2)</sup>	230 <sup>2)</sup>
BHT		No. of brackets   No. of fixing points			
W	18	4   16			
BP		A 3   24		B 3   12	
DP		1			
PA		4   16			
DA / DE	13	4   16		4   12	

dimensions in cm

- 1) = coupled units are not available with a junction roller
- 2) = please note the minimum widths! Not available as coupled awnings
- 3) = dimension at awning with LED-Spots

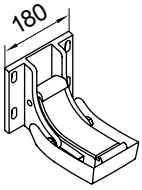
If the brackets cannot be positioned in accordance with this table, make sure the actual dimensions are noted on the order form!

The **pull-out forces** necessary for determining the correct fixing materials necessary to meet wind resistance class 2 (Beaufort 5) can be found in the password-protected dealer area of the [pro.markilux.com](http://pro.markilux.com) website under "Pull-out Forces".

- A = arm position
- BHT = bracket width
- BP = spreader plate **A** or **B**, to be positioned behind the folding arm
- DE = top fixture brackets
- DA = eaves fixture brackets
- DP = spacer plate 74989., to be positioned behind the rolltex bearing, in the case of spreader plate **A** or **B**
- H = **order dimension** = projection
- LR = rolltex bearing
- M = **order dimension** = awning width
- MB = bracket fixture range
- PA = markilux panel, fixture profile, width 250 mm
- W = face fixture brackets

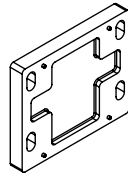
# Face fixture

## Fixtures, fittings and accessories



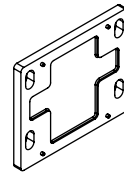
face fixture bracket  
180 mm  
5°-35°

**74909.**



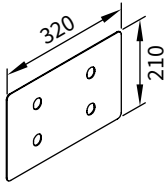
spacer plate for face fixture  
180 × 150 × 20 mm  
**N.B.!**  
Stack to a max. height of 200 mm

**749881**



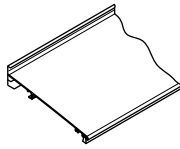
spacer plate for face fixture  
180 × 150 × 12 mm

**74989.**



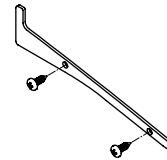
cover plate for spacer plate and stand-off brackets in the case of external insulation  
320 × 210 × 2 mm

**71842.**



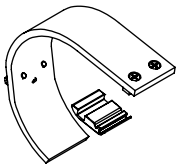
wall sealing profile incl. brush seal  
by the metre

**76385. and 704241.**



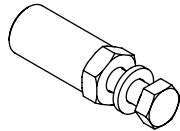
side plate for wall sealing profile including 2 pan-head self-tapping screws

**76386. and 2 × 735611**



storm safety clip 6000  
**N.B!** recommendation for windy areas  
Mounting type can be used independently

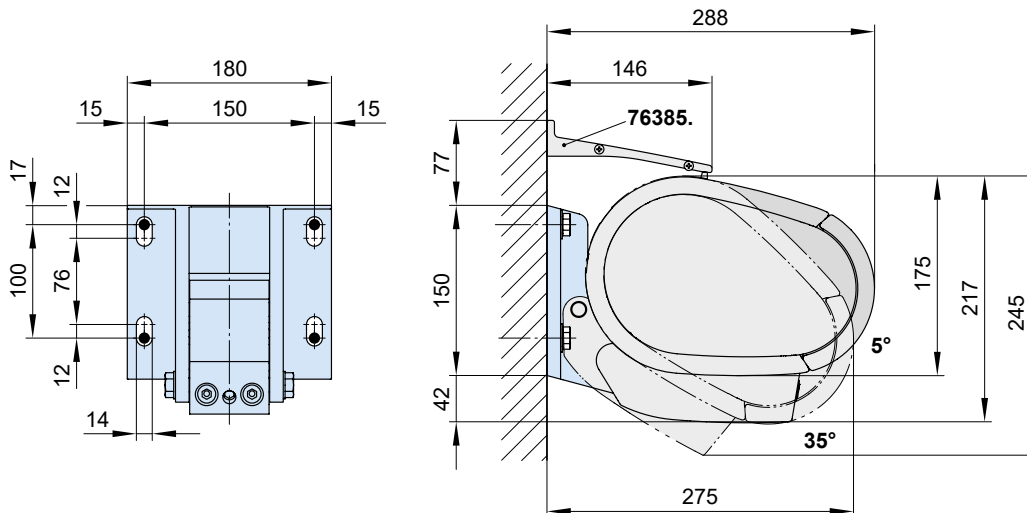
**79504.**



reduction bolt  
pack 10 pcs

M 16 → M 12 | M 16 → M 10 | M 12 → M 10 | M 10 → M 10

## Face fixture, pitch 5°-35°

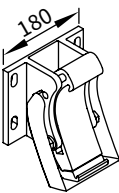
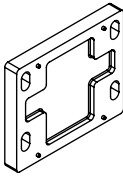
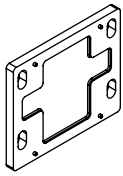
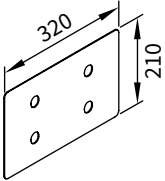
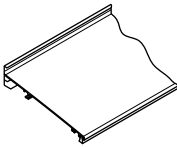
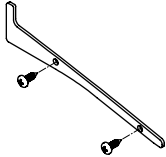
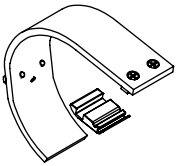
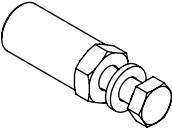


**76385.** = wall sealing profile (standard width = awning width (M); up to a maximum awning pitch of 70°)

dimensions in mm

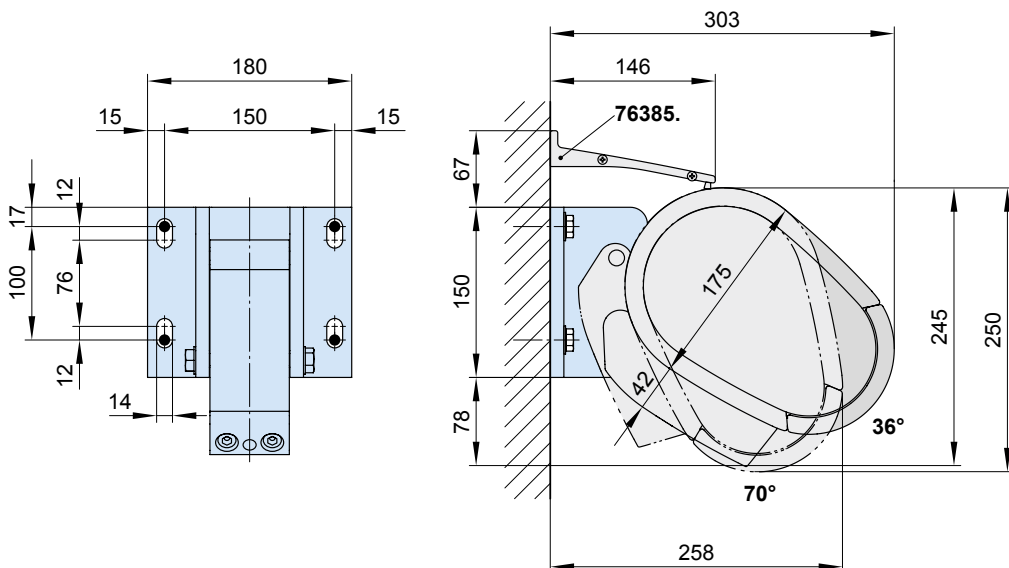
# Face fixture

## Fixtures, fittings and accessories

 <p>face fixture bracket 180 mm 36°-70°</p> <p><b>74928.</b></p>	 <p>spacer plate for face fixture 180 × 150 × 20 mm <b>N.B.!</b> Stack to a max. height of 200 mm</p> <p><b>749881</b></p>	 <p>spacer plate for face fixture 180 × 150 × 12 mm</p> <p><b>74989.</b></p>
 <p>cover plate for spacer plate and stand-off brackets in the case of external insulation 320 × 210 × 2 mm</p> <p><b>71842.</b></p>	 <p>wall sealing profile incl. brush seal by the metre</p> <p><b>76385. and 704241.</b></p>	 <p>side plate for wall sealing profile including 2 pan-head self-tapping screws</p> <p><b>76386. and 2 × 735611</b></p>
 <p>storm safety clip 6000 <b>N.B!</b> recommendation for windy areas Mounting type can be used independently</p> <p><b>79504.</b></p>	 <p>reduction bolt pack 10 pcs M 16 → M 12   M 16 → M 10   M 12 → M 10   M 10 → M 10</p>	

01  
02  
03  
04  
05  
**06**  
07  
08  
09  
10  
11  
12  
13  
14  
15  
16  
17

### Face fixture, pitch 36°-70°

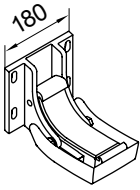


**76385.** = wall sealing profile (standard width = awning width (M); up to a maximum awning pitch of 70°)

dimensions in mm

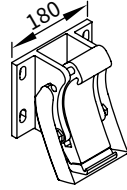
01 **Face fixture with spreader plate A**

02 Fixtures, fittings and accessories



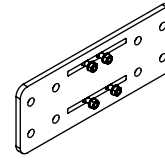
face fixture bracket  
180 mm  
5°-35°

74909.



face fixture bracket  
180 mm  
36°-70°

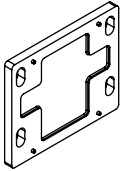
74928.



spreader plate A  
430 x 160 x 12 mm

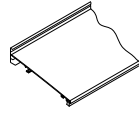
75328.

06



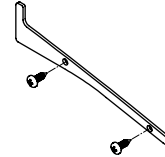
spacer plate for face  
fixture  
180 x 150 x 12 mm

74989.



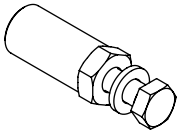
wall sealing profile  
incl. brush seal  
by the metre

76385. and 704241.



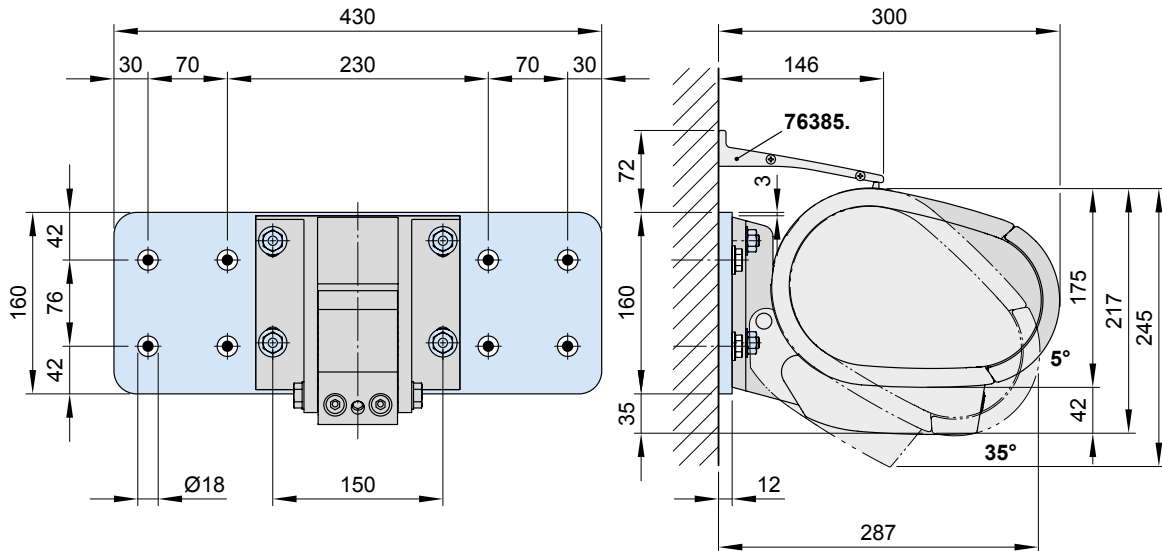
side plate  
for wall sealing profile  
including 2 pan-head  
self-tapping screws

76386. and 2 x 735611



reduction bolt  
pack 10 pcs

M 16 → M 12 | M 16 → M 10 | M 12 → M 10 | M 10 → M 10

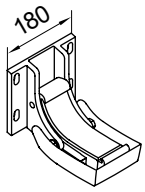
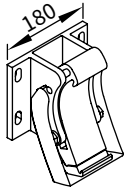
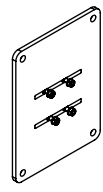
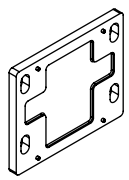
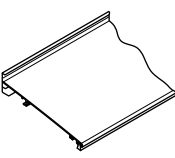
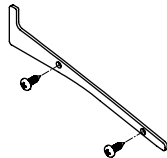
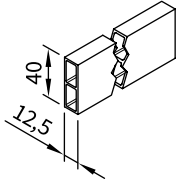
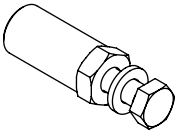


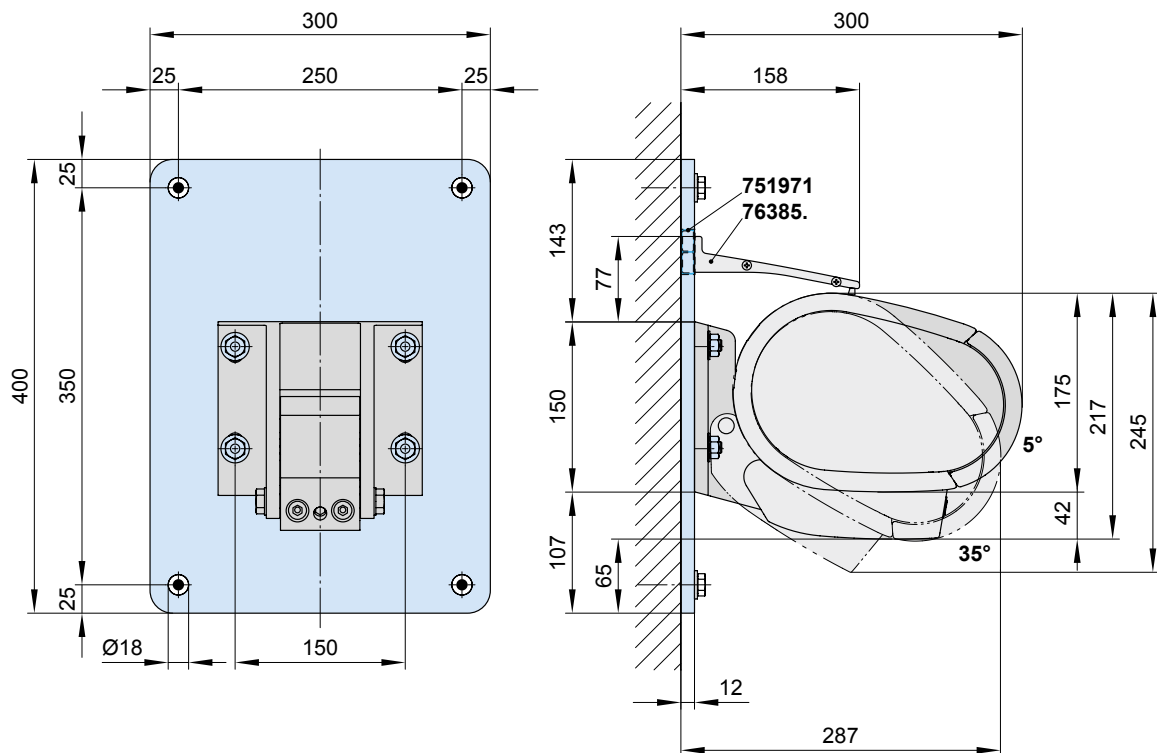
76385. = wall sealing profile (standard width = awning width (M); up to a maximum awning pitch of 70°)

dimensions in mm

# Face fixture with spreader plate B

Fixtures, fittings and accessories

 <p>face fixture bracket 180 mm 5°-35°</p> <p><b>74909.</b></p>	 <p>face fixture bracket 180 mm 36°-70°</p> <p><b>74928.</b></p>	 <p>spreader plate B 300 x 400 x 12 mm</p> <p><b>75327.</b></p>
 <p>spacer plate for face fixture 180 x 150 x 12 mm</p> <p><b>74989.</b></p>	 <p>wall sealing profile incl. brush seal by the metre</p> <p><b>76385. and 704241.</b></p>	 <p>side plate for wall sealing profile including 2 pan-head self-tapping screws</p> <p><b>76386. and 2 x 735611</b></p>
 <p>stand-off strip for wall sealing by the metre</p> <p><b>751971</b></p>	 <p>reduction bolt pack 10 pcs</p> <p>M 16 → M 12   M 16 → M 10   M 12 → M 10   M 10 → M 10</p>	



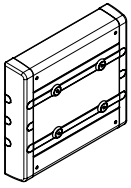
**76385.** = wall sealing profile (standard width = awning width (M); up to a maximum awning pitch of 70°)  
**751971** = stand-off strip for wall sealing profile

dimensions in mm

01  
02  
03  
04  
05  
**06**  
07  
08  
09  
10  
11  
12  
13  
14  
15  
16  
17

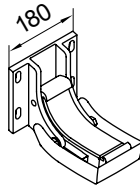
01 **Face fixture using the markilux panel 250 mm wide**

02 Fixtures, fittings and accessories



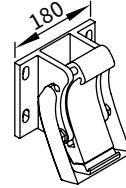
04 markilux panel  
250 × 230 × 49 mm  
with decorative profiles  
and end caps

05 **76308.**



04 face fixture bracket  
180 mm  
5°-35°

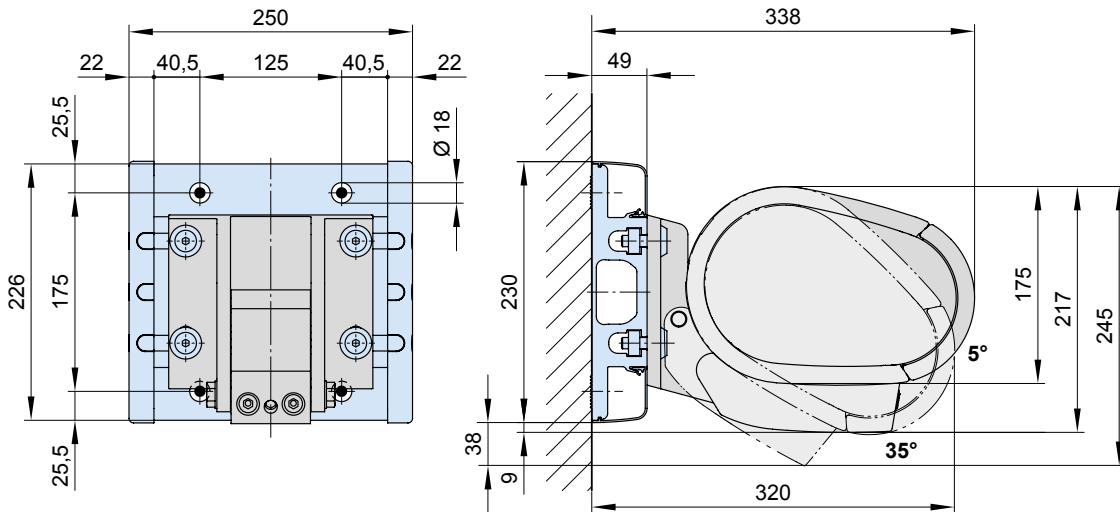
05 **74909.**



04 face fixture bracket  
180 mm  
36°-70°

05 **74928.**

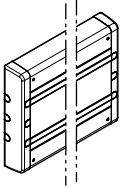
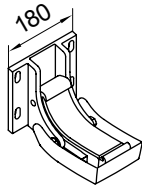
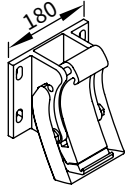
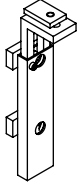
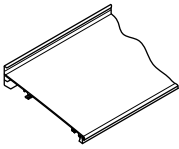
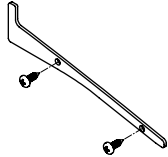
06



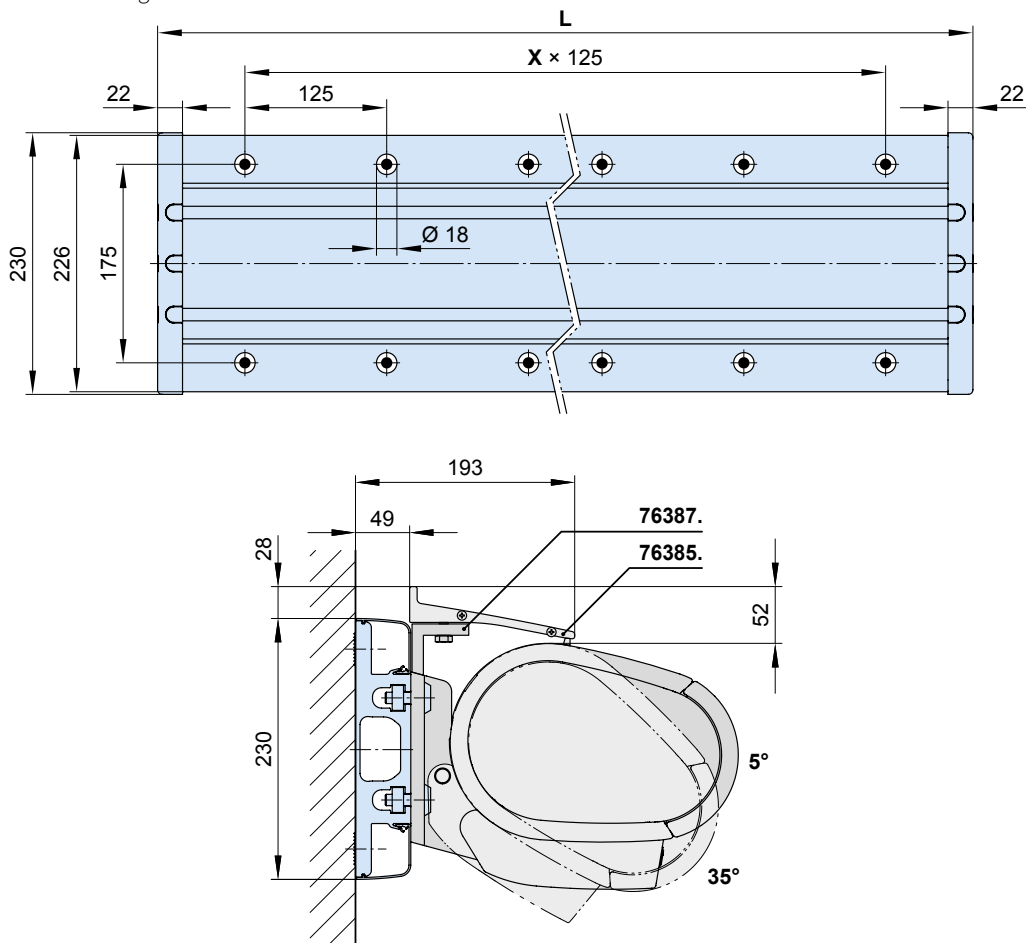
dimensions in mm

## Face fixture with markilux panel continuous

### Fixtures, fittings and accessories

 <p>markilux panel continuous with decorative profiles and end caps</p> <p><b>701104</b></p>	 <p>face fixture bracket 180 mm 5°-35°</p> <p><b>74909.</b></p>	 <p>face fixture bracket 180 mm 36°-70°</p> <p><b>74928.</b></p>
 <p>bracket for wall sealing profile</p> <p><b>76387.</b></p>	 <p>wall sealing profile incl. brush seal by the metre</p> <p><b>76385. and 704241.</b></p>	 <p>side plate for wall sealing profile including 2 pan-head self-tapping screws</p> <p><b>76386. and 2 × 735611</b></p>

As a **continuous fixture profile**, the markilux panel will always be supplied to order on the basis of a technical drawing prepared in the factory in accordance with the awning specification. The technical drawing shows the fixture points and pull-out forces and must be approved in writing.

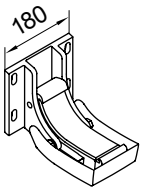


- 76385.** = wall sealing profile (standard width = awning width (M); up to a maximum awning pitch of 70°)
- 76387.** = bracket wall sealing profile
- L** = individual width, max. 7000 mm
- X** = number of distances between the spots by way of example

dimensions in mm

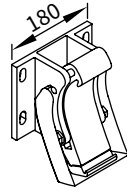
# Face fixture with stand-off bracket

Fixtures, fittings and accessories



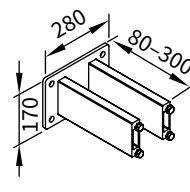
face fixture bracket  
180 mm  
5°-35°

**74909.**



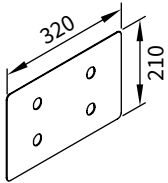
face fixture bracket  
180 mm  
36°-70°

**74928.**



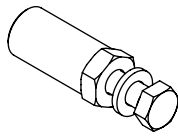
stand-off bracket  
80-300 mm  
incl. insulating element

**77970.**



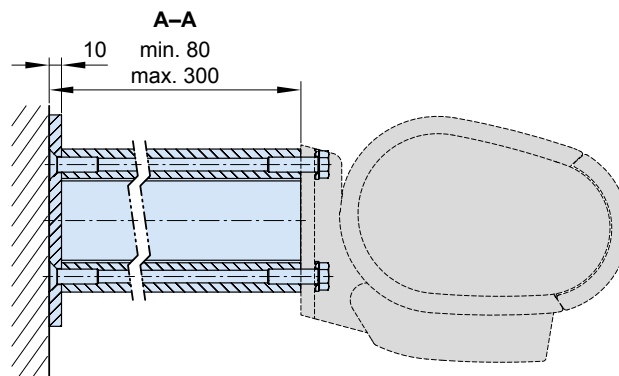
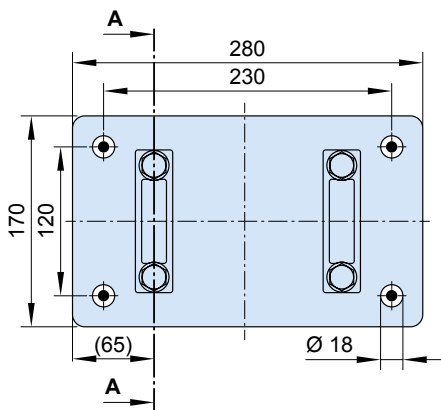
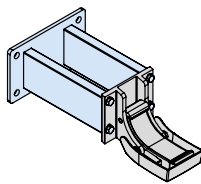
cover plate  
for spacer plate and  
stand-off brackets in  
the case of external  
insulation  
320 x 210 x 2 mm

**71842.**



reduction bolt  
pack 10 pcs

M 16 → M 12 | M 16 → M 10 | M 12 → M 10 | M 10 → M 10

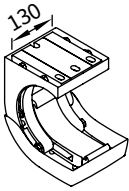


dimensions in mm



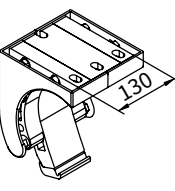
# Top fixture

## Fixtures, fittings and accessories



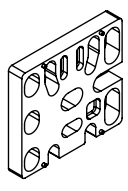
top fixture bracket  
130 mm  
5°-35°

**74903.**



top fixture bracket  
130 mm  
36°-70°

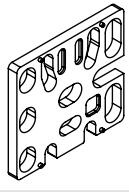
**74905.**



spacer plate  
for face/top fixture  
150 × 136 × 20 mm

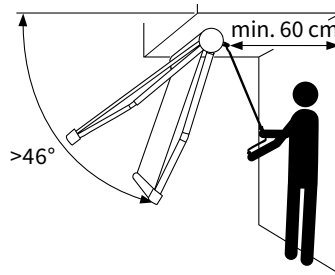
**N.B!**  
stack to a max. height of  
200 mm

**716331**



spacer plate for face  
fixture  
150 × 136 × 12 mm

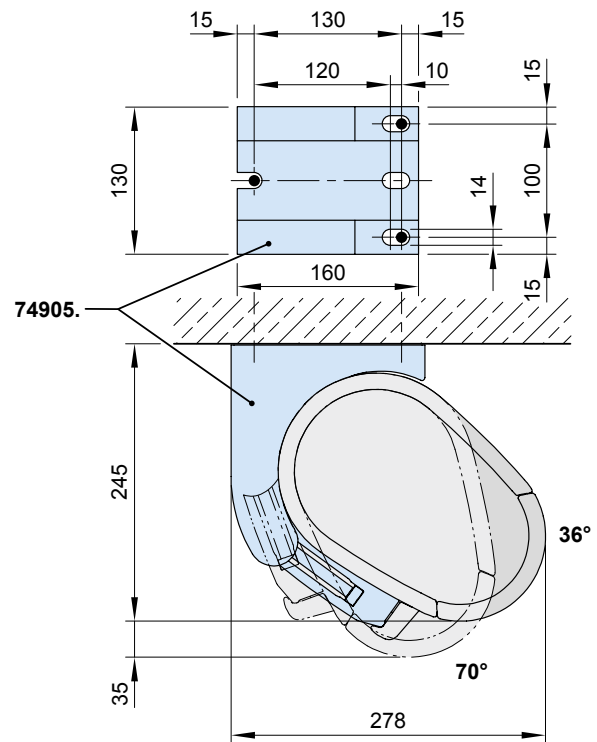
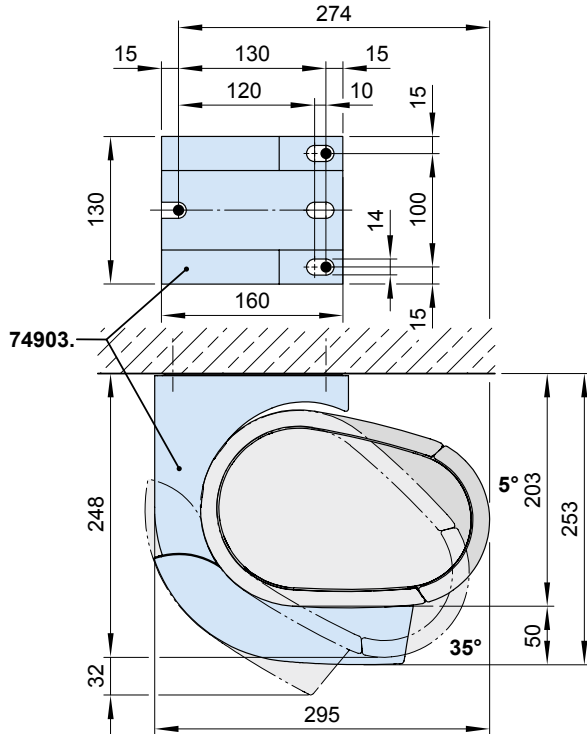
**71644.**



**N.B.!** At a pitch of more than 46° to the horizontal there must be an accessible area behind the awning at least 60 cm deep to allow manual operation incl. operation via radio-controlled motor with manual override. There are no limitations with motor systems.

Top fixture, motor operation, pitch 5°-35°

Top fixture, motor operation, pitch 36°-70°

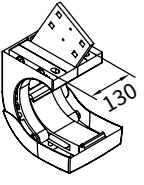


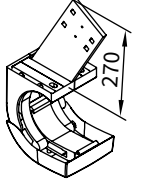
dimensions in mm

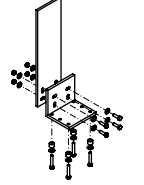
01  
02  
03  
04  
05  
**06**  
07  
08  
09  
10  
11  
12  
13  
14  
15  
16  
17

01 **Eaves fixture**

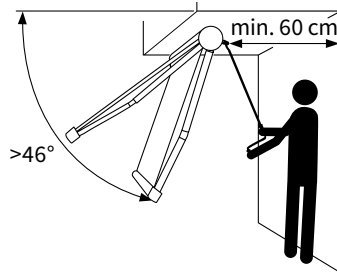
02 **Fixtures, fittings and accessories**

03  eaves fixture bracket  
150 mm, 5°-35°  
height of flat plate  
150 mm  
04  
05 **74944.**

03  eaves fixture bracket  
130 mm, 5°-35°  
height of flat plate  
270 mm  
04  
05 **74970.**

03  angle and plate for  
eaves fixture  
machine finish  
height of flat plate  
500 mm  
04  
05 **741290**

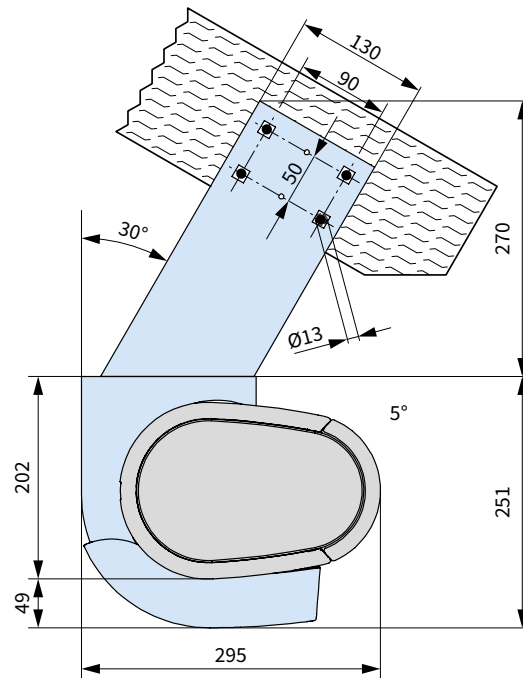
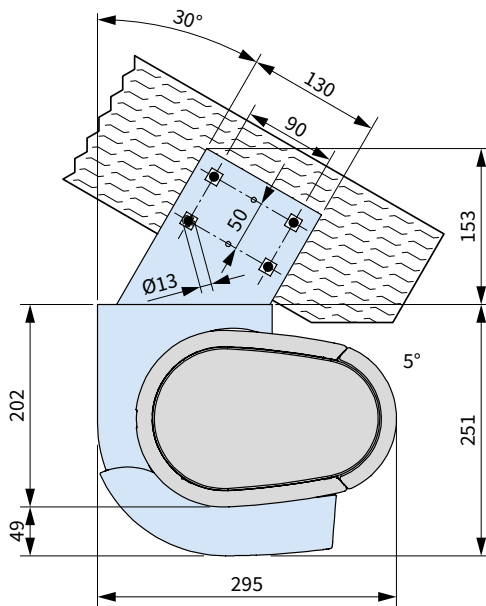
06



08 **N.B.!** At a pitch of more than 46° to the  
horizontal there must be an accessible  
area behind the awning at least 60 cm  
deep to allow manual operation incl.  
operation via radio-controlled motor  
with manual override. There are no  
limitations with motor systems.

14 With eaves fixture bracket 150 mm (74944.)

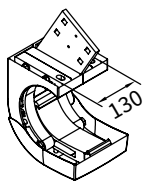
14 With eaves fixture bracket, top flat plate 270 mm (74970.)



17 dimensions in mm

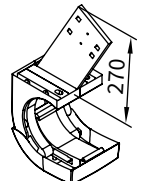
# Eaves fixture with additional plate

Fixtures, fittings and accessories



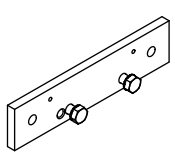
eaves fixture bracket  
150 mm, 5°-35°  
height of flat plate  
150 mm

**74944.**



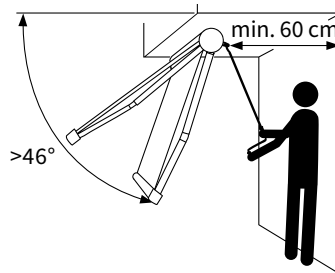
eaves fixture bracket  
130 mm, 5°-35°  
height of flat plate  
270 mm

**74970.**



supplementary flat plate  
for eaves fixture  
260 × 60 × 12 mm

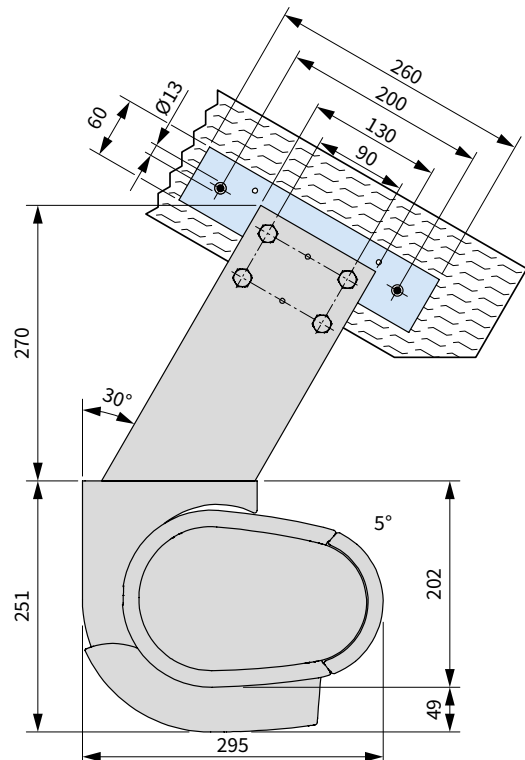
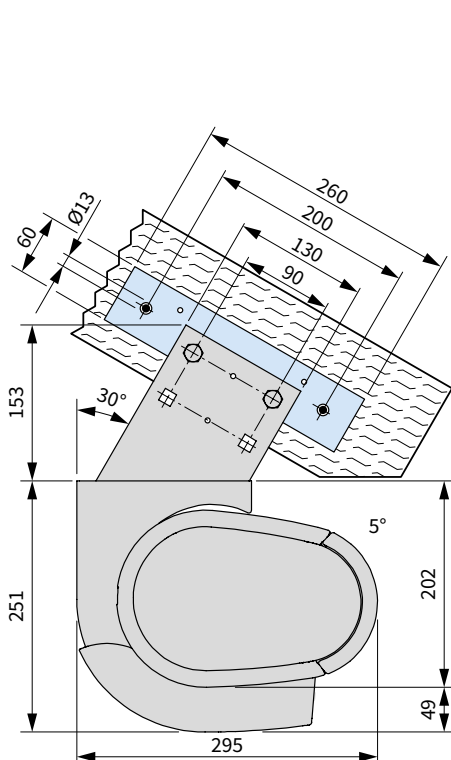
**75383.**



**N.B.!** At a pitch of more than 46° to the horizontal there must be an accessible area behind the awning at least 60 cm deep to allow manual operation incl. operation via radio-controlled motor with manual override. There are no limitations with motor systems.

With eaves fixture bracket, top flat plate 150 mm (74944.)

With eaves fixture bracket, top flat plate 270 mm (74970.)

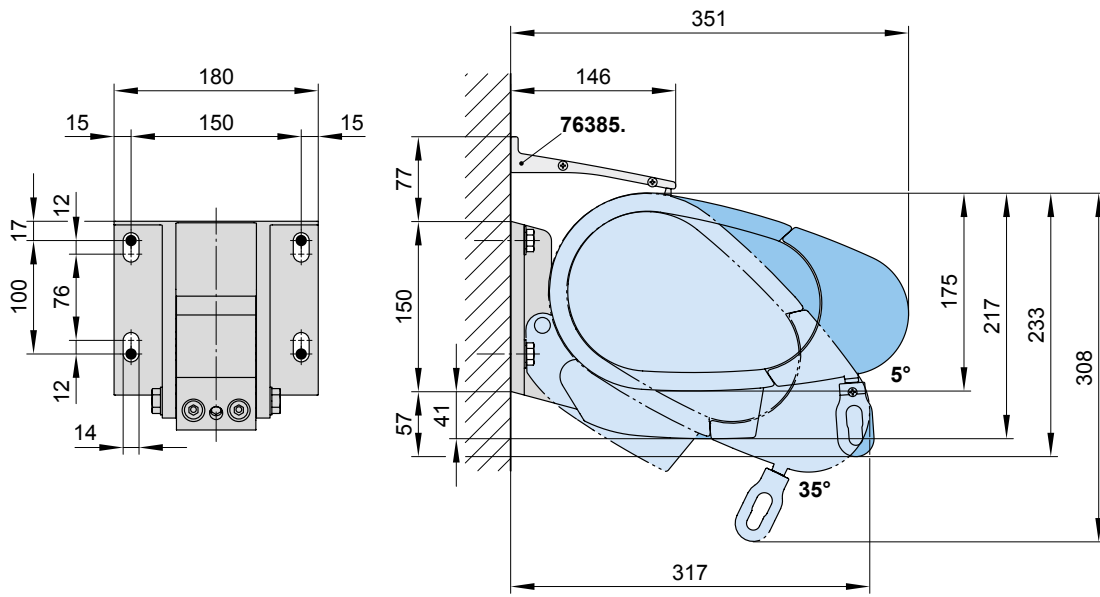


dimensions in mm

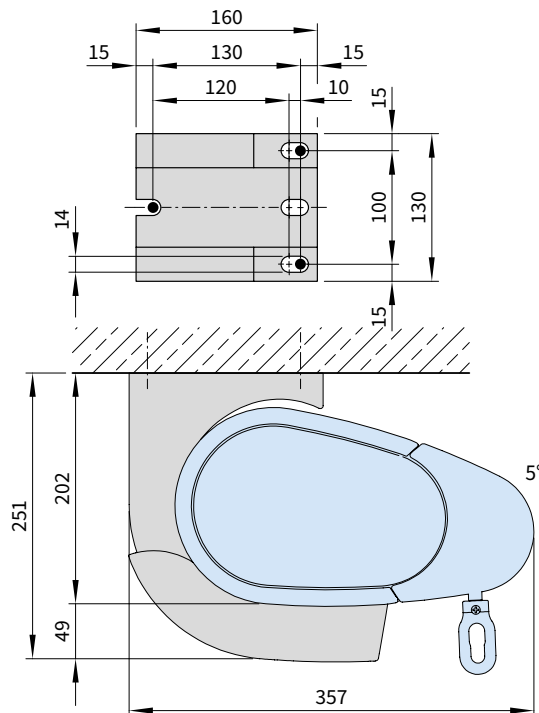
01  
02  
03  
04  
05  
**06**  
07  
08  
09  
10  
11  
12  
13  
14  
15  
16  
17

# Awning with shadeplus

## Face fixture



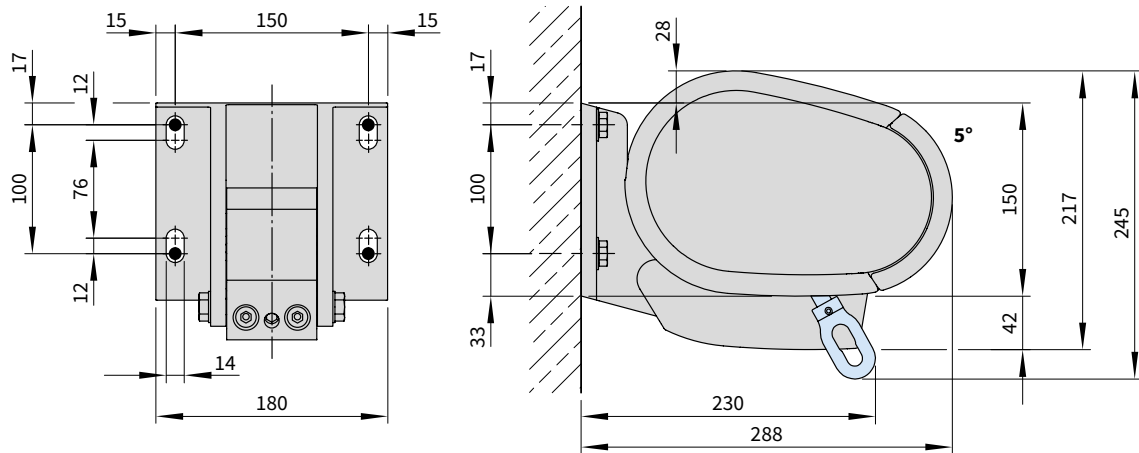
## Top fixture



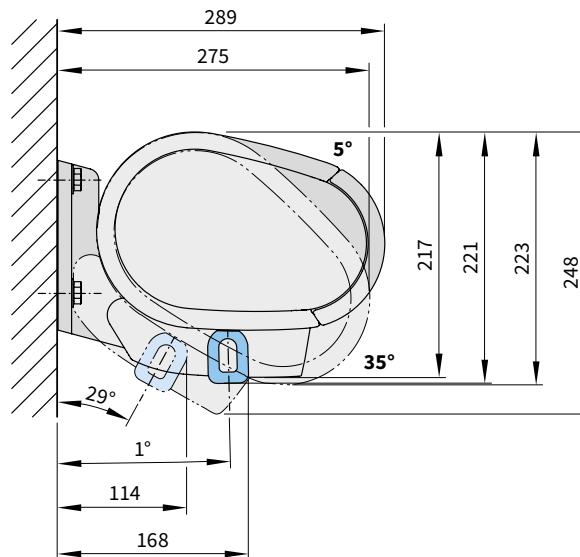
76385. = wall sealing profile (standard width = awning width (M); up to a maximum awning pitch of 70°)

dimensions in mm

## Face fixture, manual operation



## Face fixture, radio-controlled motor with manual override



**N.B.!** When face fixing a markilux 6000 with radio-controlled motor and manual override the maximum awning pitch is 35°.

01 **Motor cable exit point**

02

03

04

05

06

07

08

09

10

11

12

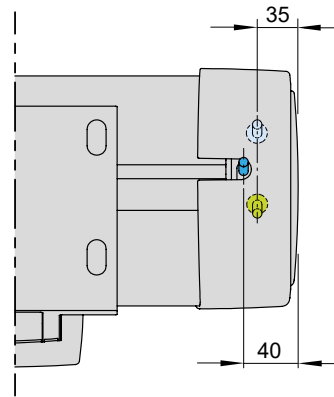
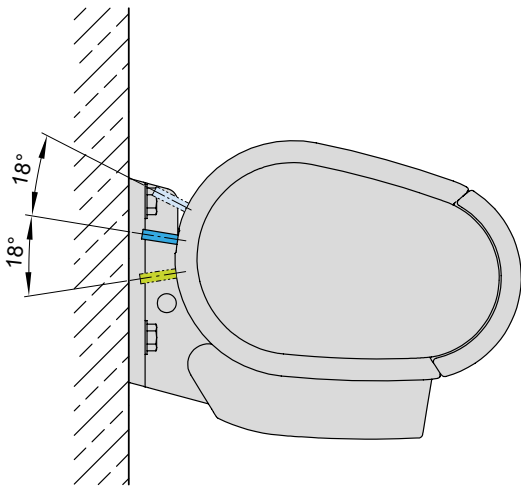
13

14

15

16

17



dimensions in mm

**Hard-wired motor operation**

hard-wired motor → ■

switch-operated motor shadeplus motor <sup>1)</sup> **or** lighting <sup>1)</sup> → ■ and ■

switch-operated motor shadeplus motor <sup>1)</sup> **and** lighting <sup>1)</sup> → ■ and ■ and ■

**Radio-controlled motor operation io / RTS**

switch-operated motor, shadeplus motor <sup>1)</sup> **and/or** lighting → ■

1) Optional accessories